

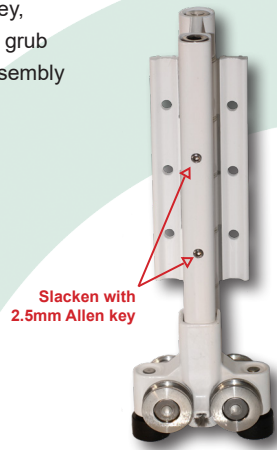
## To adjust your roller, simply follow the instructions below:

Unlike many systems, Clearspan hardware for bi-fold doors offers 5mm height adjustment to help installers set their doors up perfectly on site.

The adjustment is carried out through the bottom roller assembly. The only tools required are 2.5 and 6mm Allen keys and a thin blade.

The adjustment point itself is discreetly concealed beneath an attractive cover cap, bearing the greenteQ 'Q' logo.

**1)** Using a 2.5mm Allen key, slacken off the 2 retaining grub screws on all the roller assembly bodies on your door



**2)** Using a thin bladed implement, carefully lift the cover cap off the top of the roller assembly, taking care not to damage the paint finish or fingers. The hexagonal drive in the head of the adjusting screw is now exposed



**3)** Using your 6mm Allen key wind the screw anti-clockwise to lift the sash by up to 5mm\*

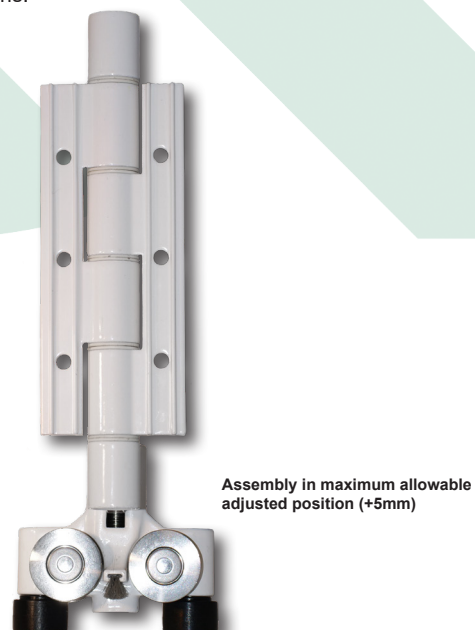
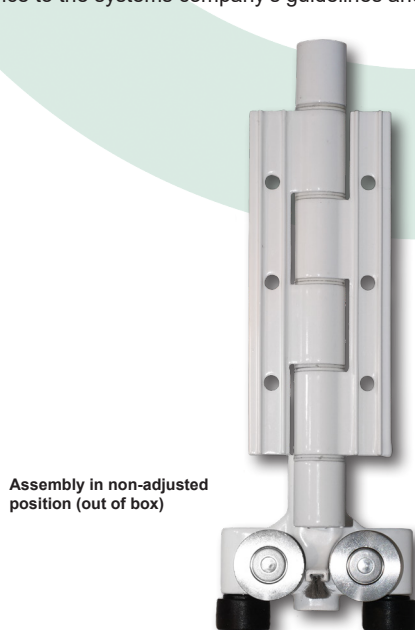


**4)** Repeat steps 2 and 3 on all roller assemblies so that your sashes are in line

**5)** Once you have found your correct height lock all the roller assemblies into position by securely retightening the 2.5mm grub screws

**6)** Replace all cover caps

\*Although more than 5mm can be achieved we do not recommend that this level of adjustment is exceeded as it can have a de-stabilising effect on the door and could cause damage in the long-term. The greenteQ 10-Year Hardware Guarantee and Q-secure Guarantee (where applicable) are void if any door is found to have been raised by more than 5mm. 5mm is ample adjustment assuming the door has been manufactured correctly in accordance to the systems company's guidelines and instructions.



---

## Long Life

---



Long life and smooth action are further aided by the integral brushes on all roller assemblies. These clear away any dust or other small debris each time the door is folded open, preventing any major build up that may impede the operation of the door