

PRODUCT BULLETIN

greenteQ Sigma Velocity Door Hinge



greenteQ Sigma Velocity Door Hinge

The Velocity door hinge from greenteQ is the latest addition to the Sigma family of hinges for residential doors.

Velocity is a two-knuckle 'T-Hinge' designed for rebated doors with a sash upstand dimension between 16 – 24mm, so is ideal for PVCu single and double doors.

The hinge is supplied in two parts; The Frame Body is available in 16, 19 and 22mm options. This includes the frame bearing and fixing block, the hinge pin and top and bottom Q-branded cover caps. The second part is the Sash Component kit, which is also available in three versions listed as 'X' (0mm), 'Y' (+1mm) and 'Z' (+2mm). The kit contains the fixing screws and all the sash components, including the Sash Plate. The Sash Plate allows the user to reach the correct sash upstand dimension of their profile/gasket set-up. The 'Y' version will add 1mm to the Hinge Body dimension, while the 'Z' version adds 2mm. The 'X' version adds nothing.

The fabricator simply chooses the correct combination of Hinge Body and Sash Component to reach their profile's sash upstand dimension (e.g. to reach 19mm use a 19mm Frame Body and 'X' (0mm) Sash Component, or to reach 23mm, use a 22mm Frame Body and a 'Y' (+1mm) Sash Component, and so on)

Velocity will carry sashes weighing up to 100KG and gives full 3D adjustability for the installer. +/- 4mm lateral, +/-1mm height and +/- 0.75mm compression adjustments are all carried out with a 5mm hex key.

The hinge will allow the door to open to a full 180 degrees.

Velocity is extremely quick to fit as the Sash Components are supplied ready assembled. With the sash clamped into the frame, simply position and fix the Frame Body using the fitting jig, connect the sash components using the hinge pin, then fix the flag using the self-drilling screws provided. The cover then snaps shut before being secured (on outward opening doors).

Velocity is available in eight colours of the greenteQ Suite, all of which are covered by the greenteQ 10-year performance and surface guarantee.

Velocity has been independently tested to PAS24:2022, and is approved for use on Document Q (for new builds) and Q-secure PREMIUM installations.

Main Features at a Glance:

- Quick to fit (no jig required for sash part)
- Full 3D adjustment via 5mm hex key
- Available in eight colours of the greenteQ Suite
- 100KG carrying capacity
- Tested to PAS24:2022
- BS EN 1670:2007 Grade 5 NSST corrosion resistance (480 hours)
- BS EN1935:2002 Grade 12 Cycle tested to 200,000 cycles as part of BS EN1935:2002
- Approved for Q-secure PREMIUM and Document Q installations
- 10 Year Performance and Surface guarantee on ALL finishes

VBH (GB) Ltd
VBH House, Bailey Drive,
Gillingham Business Park,
Gillingham, Kent
ME8 0WG
Tel: 01634 263263
Email: sales@vbhgb.com
Online: www.vbhgb.com

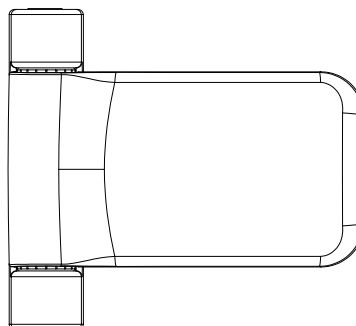


Sigma Velocity Door Hinge

VBH Order Codes

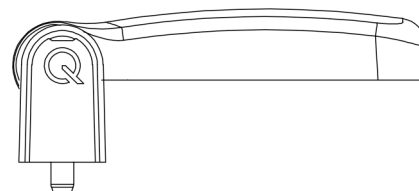
Hinge Body Component

Colour/ Hinge Body Option	Type A (16mm)	Type B (19mm)	Type C (22mm)	Box Qty
White	2QDH1001	2QDH1021	2QDH1041	24
Anthracite Grey	2QDH1002	2QDH1022	2QDH1042	24
Black	2QDH1004	2QDH1024	2QDH1044	24
PVD Gold	2QDH1005	2QDH1025	2QDH1045	24
Polished Chrome	2QDH1006	2QDH1026	2QDH1046	24
Satin Chrome	2QDH1007	2QDH1027	2QDH1047	24
Smokey Chrome	2QDH1008	2QDH1028	2QDH1048	24
Enduro Steel	2QDH1009	2QDH1029	2QDH1049	24



Sash Component Kit

Colour/ Hinge Body Option	Low X (0mm)	Mid Y (+1mm)	High Z (+2mm)	Box Qty
White	2QDH1061	2QDH1081	2QDH1101	24
Anthracite Grey	2QDH1062	2QDH1082	2QDH1102	24
Black	2QDH1064	2QDH1084	2QDH1104	24
PVD Gold	2QDH1065	2QDH1085	2QDH1105	24
Polished Chrome	2QDH1066	2QDH1086	2QDH1106	24
Satin Chrome	2QDH1067	2QDH1087	2QDH1107	24
Smokey Chrome	2QDH1068	2QDH1088	2QDH1108	24
Enduro Steel	2QDH1069	2QDH1089	2QDH1109	24



Optional Parts

Description	VBH Code	Box Qty
Location Pin (2 per hinge)	2QDH1122	100

Drilling Jig

Description	VBH Code	Box Qty
Frame Body Jig	2QDH1121	1