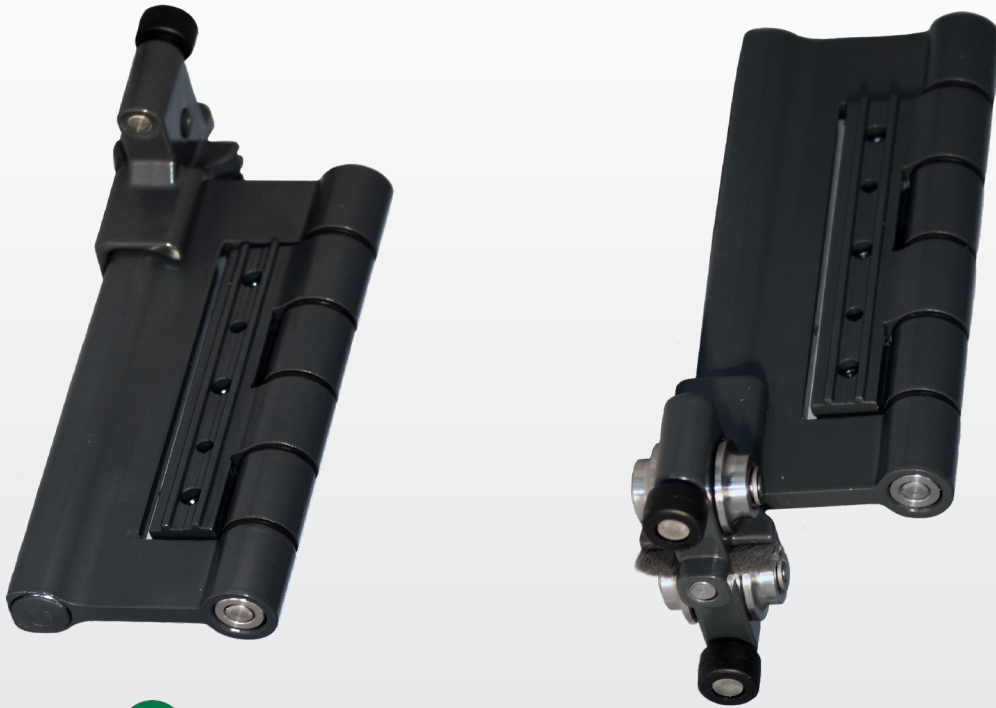


PRODUCT BULLETIN

greenteQ Clearspan Bi-fold Door Hardware



greenteQ

The Bi-Fold Door Hardware Solution for Stellar Aluminium

The immensely popular greenteQ Clearspan bi-fold door hardware system is now available to suit the Stellar Aluminium system.

Take up of Clearspan on other systems has been huge since its launch in 2013. Manufacturers, installers and end-users alike instantly recognised the many features and benefits that make Clearspan stand out from the crowd.

Manufacturers remark how easy the product is to fit, with minimal routing of the profile; installers appreciate the handy vertical adjustment on the roller assemblies that make installation so much easier and quicker, and end users love the smooth operating action and unobtrusive nature of the slimline hardware that shows off the clean lines of the aluminium profile.

Clearspan hardware is available in white, black and anthracite grey finishes to perfectly match or complement any colour bi-fold door.

greenteQ products all come with a minimum 10 year performance guarantee and Clearspan is no exception.

The greenteQ Clearline furniture range is the perfect partner for Clearspan bi-fold hardware. Clearline includes magnetic catches in 6 finishes as well as the SlimFold and CentreFold intermediate door handle options.

Finally, we offer a slimline Alpha lever set for the main passage leaf, which is ideally suited to the slim lines of an aluminium bi-fold.

Information on all of these products is available to download from www.vbhgb.com.

Benefits at a glance:

- Unobtrusive hardware preserves the clean lines of the slimline profile
- White, black and anthracite grey finishes
- Profile related hardware makes fabrication easy
- 120Kg sash weight
- Integrated brushes keep tracks clean for smooth running
- Proven pedigree
- Full suite of matching Clearline furniture available
- 10 year performance guarantee

Bi-Fold Door Hardware

greenteQ Clearspan Hardware for Stellar Aluminium

Top Guide



Finish	VBH Code	Box Qty
White RAL9016	4QBF1501	10
Black RAL9005	4QBF1502	10
Anthracite Grey RAL7016	4QBF1503	10

Bottom Roller



Finish	VBH Code	Box Qty
White RAL9016	4QBF1531	10
Black RAL9005	4QBF1532	10
Anthracite Grey RAL7016	4QBF1533	10

Hinge with Pull Handle



Finish	VBH Code	Box Qty
White RAL9016	4QBF1571	25
Black RAL9005	4QBF1572	25
Black/PVD Gold	4QBF1573	25
Black/Pol.Chrome	4QBF1574	25
Black/Satin Chrome	4QBF1575	25
Anthracite Grey RAL7016	4QBF1577	25

Hinge



Finish	VBH Code	Box Qty
White RAL9016	4QBF1561	50
Black RAL9005	4QBF1562	50
Anthracite Grey RAL7016	4QBF1563	50