

PRODUCT BULLETIN

greenteQ Clearspan Bi-fold Door Hardware



The Complete Solution for Smart Systems Visofold 1000 Bi-Fold Doors

greenteQ Clearspan bi-fold door hardware for Smart Systems Visofold 1000 folding doors has proved immensely popular since its launch in 2013.

Manufacturers, installers and end-users alike instantly recognise the many features and benefits that make Clearspan stand out from the crowd.

Manufacturers remark how easy the product is to fit, with minimal routing of the profile; installers appreciate the handy vertical adjustment on the roller assemblies that make installation so much easier and quicker, and end users love the smooth operating action and unobtrusive nature of the slimline hardware that shows off the clean lines of the aluminium profile.

Since launching, we have introduced many new options and products to the range. These include half sets, the attractive Anthracite Grey finish, locking systems for the main and intermediate door sashes, magnetic catches and restrictors.

This document aims to give an overview of what is now the complete Clearspan solution for Smart Systems bi-fold doors.

Benefits at a glance:

- Profile - specific design ensures all parts fit the Smart Systems Visofold 1000 aluminium profile perfectly
- Suits standard 60mm and slim 55mm profiles
- Slimline hardware is unobtrusive and maximises the clean lines of the door
- 3 attractive finishes: Black, White and Anthracite Grey
- Half sets to simplify even-number door configurations
- 5mm vertical adjustment makes the installer's job easier
- Lock set for main door provides secure locking and smooth operation through tapered hooks, linear bolts and cams
- Intermediate lock works with Clearline handles to secure the whole door
- Q-star profile cylinders provide TS007 1-star protection
- Magnetic catches hold the sashes together in the open position
- 90° restrictor prevents damage to main door or external brick work
- Alpha slim door handles in 5 colour options provide a perfect match or an eye-catching contrast to the door colour

greenteQ Clearspan Bi-fold Door Hardware

The Complete Solution for Smart Systems Visofold 1000 Bi-Fold Doors

Top Guide and Bottom Roller



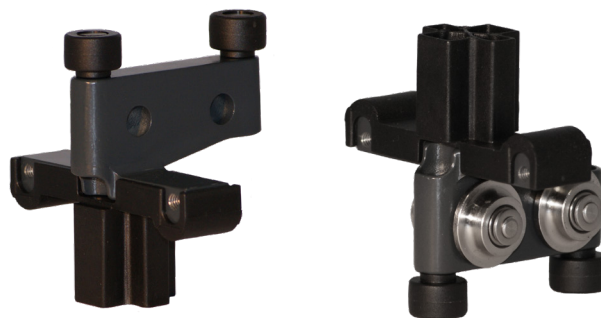
Description	White RAL9016	Black RAL9005	Anth.Grey RAL7016	Box Qty
Top Guide	4QBF1001	4QBF1002	4QBF1003	10
Bottom Roller	4QBF1031	4QBF1032	4QBF1033	10

Hinge



Description	White RAL9016	Black RAL9005	Anth.Grey RAL7016	Box Qty
Hinge	4QBF1061	4QBF1062	4QBF1063	50

Top Guide and Bottom Roller Half Set



Description	White RAL9016	Black RAL9005	Anth.Grey RAL7016	Box Qty
Top Guide	4QBF1011	4QBF1012	4QBF1013	10
Bottom Roller	4QBF1041	4QBF1042	4QBF1043	10

Hinge with Pull Handle



Description	White RAL9016	Black RAL9005	Anth.Grey RAL7016	Box Qty
Hinge with Pull	4QBF1071	4QBF1072	4QBF1077	25
Description	Black/PVD Gold	Black/Pol. Chrome	Black/Sat Chrome	Box Qty
Hinge with Pull	4QBF1073	4QBF1074	4QBF1075	25

greenteQ Clearspan Bi-fold Door Hardware

The Complete Solution for Smart Systems Visofold 1000 Bi-Fold Doors

Main Door Lock Kit (For Original 60mm Profiles Only)



- Hooks and compression cams provide security and smooth closing
- Hook/linear bolt combination locking points provide excellent security
- Benefits from strong Yale branding
- One piece striker plate speeds up fitting time
- Perfect partner for Clearspan bi-fold hardware
- Easy ordering with just one part number

Description	VBH Code
LH Yale Lock Kit (60mm Profiles)	4QBF1023
RH Yale Lock Kit (60mm Profiles)	4QBF1024

The correct handing is determined as follows;

LH Kit = LEFT hand hung OUTWARD or RIGHT hand hung INWARD opening door viewed from outside

RH Kit = RIGHT hand hung OUTWARD or LEFT hand hung INWARD opening door viewed from outside

Alpha Slim Lever/Lever



- 92PZ
- 2 screw fix on 250mm backplate (220mm backplate also available)
- Sprung lever
- Flange around cylinder hole for gap elimination
- M6 screws for added strength
- Non handed

Finish	VBH Code	Box Qty
White (RAL9016)	2QHB0321	12
Black (RAL9005)	2QHB0324	12
Anthracite Grey (RAL7016)	2QHB0330	12
Polished Chrome	2QHB0326	12
Satin Chrome	2QHB0327	12

90° Restrictor

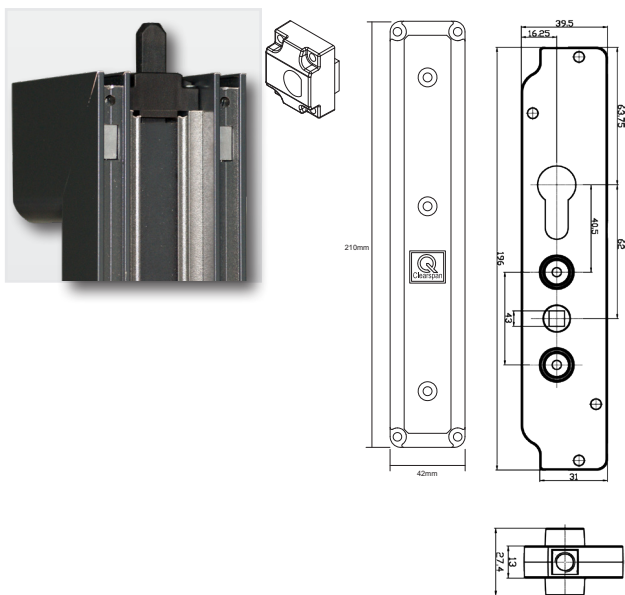
The restrictor sits in the top of the main passage door to restrict its opening angle, thus preventing the sash from opening against any external brickwork.

Description	VBH Code	Box Qty
335mm Restrictor	2QMA0105	50
500mm Restrictor	2QMA0106	50

greenteQ Clearspan Bi-fold Door Hardware

The Complete Solution for Smart Systems Visofold 1000 Bi-Fold Doors

Intermediate Lock



Intermediate Lock

- Locking system for intermediate meeting points
- Robust gearbox is covered by attractive black Q-branded cover
- Shootbolt ends are pre-assembled onto strong 8mm threaded rod
- Shootbolt end is tapered for smooth lead-in
- 24mm bolt throw

Description	VBH Code	Box Qty
Intermediate Gearbox	4QBF1051	25
Intermediate Gearbox Cover (Black)	4QBF1052	100
Low Shootbolt End Guide For 60mm Profiles	4QBF1059	50
Standard Shootbolt End Guide For 55mm Profiles	4QBF1053	50
1300mm Shootbolt Rod	4QBF1054	100

One set comprises 1 x gearbox, 1 x gearbox cover, 2 end guides and 2 shootbolt rods

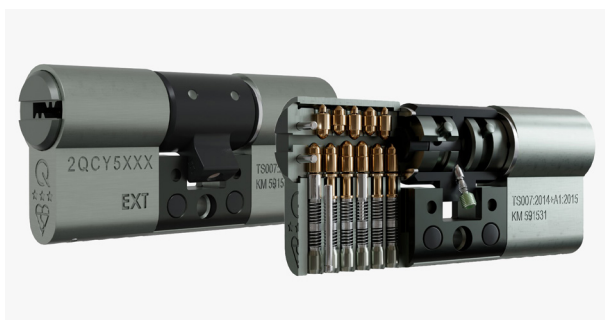
Intermediate Lock - Kits and Bulk

We also supply the Intermediate Lock System in kits and bulk quantities. By ordering using the codes below you will receive either 5 sets individually packed in kits, or enough components to gear 25 sashes.

Description	55mm Profiles	60mm Profiles	Unit Qty
Individual Kit x 5	4QBF1029	4QBF1025	5 Kits
Bulk Packed sets x 25	4QBF1030	4QBF1026	25 Sets

Clearline operating handles with or without a PZ cut-out are available in 7 colours from stock

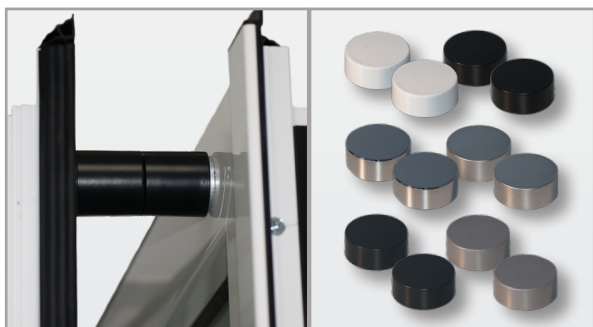
Orion 3 Star Cylinder



- TS007 Kitemark 3 star profile cylinder (KM591531)
- Protects against bumping, drilling, picking and snap & extract
- Supplied with 5 attractive dimple keys
- Minimum 100,000 differs
- Security AND safety assured
- Key/key, thumb-turn and keyed alike
- 10 year performance warranty
- 10 proteQ10 guarantee pays out £2000 if a break in is achieved as a direct result of the cylinder snapping
- Key Security Scheme provides protection against keys being fraudulently obtained
- Rated as a Q-secure PREMIUM product

Size	Nickel	Brass	Box Qty
50/50 (for main door)	2QCY5045	2QCY5046	10

Magnetic Catches



- Holds back sashes on Clearspan bi-fold doors
- Supplied complete with 2 fixing methods for aluminium doors
- Available in 2 heights and 6 colours
- Discreet appearance – only 30mm diameter
- greenteQ 10 year guarantee

Colour	26mm Catch Height	65mm Catch Height	Box Qty
White RAL9016	4QBF0031	4QBF0041	1 Pair
Black RAL9005	4QBF0032	4QBF0042	1 Pair
Anthracite Grey RAL7016	4QBF0037	4QBF0047	1 Pair
Silver (Window Grey) RAL7040	4QBF0038	4QBF0048	1 Pair
Polished Chrome	4QBF0034	4QBF0044	1 Pair
Satin Chrome	4QBF0035	4QBF0045	1 Pair