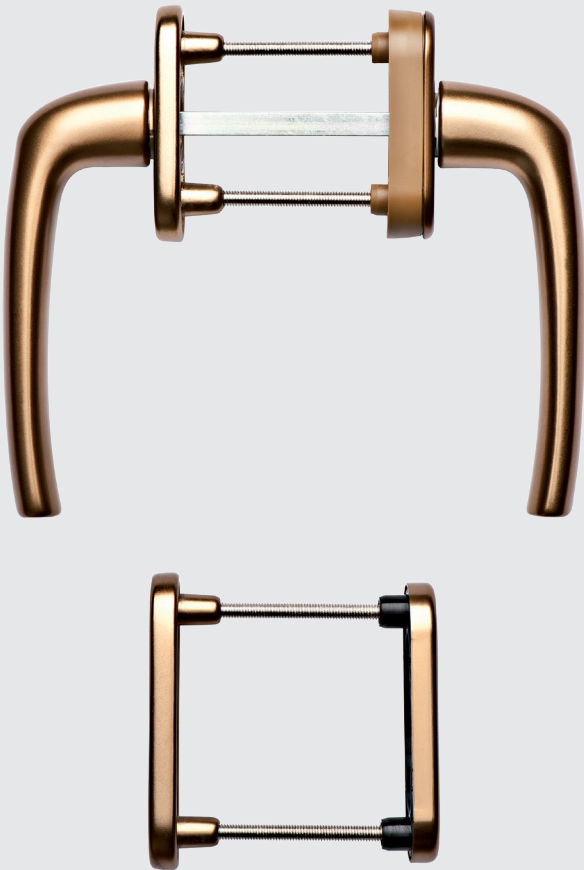


PRODUCT BULLETIN

greenteQ Tilt/Slide Patio Door Handle Sets



greenteQ

greenteQ BTG10 Handle Sets

Tilt/Slide patio doors continue to be a popular option for large element openings.

Their ability to offer a large opening when in the Slide mode or controlled ventilation in the Tilt position makes them a popular alternative to standard inline sliding patio doors. Many people prefer the fact that they offer locking points around the whole door sash.

Although Tilt/Slide doors can be fitted with a handle on the inside only, the most user-friendly option is to fit handles on both sides, locked off with a Euro profile cylinder, such as the popular greenteQ Orion TS007 3 star product. This gives the user the option of accessing and securing the door from outside the building.

The greenteQ BTG10 handle side is available in Standard and Slim variants. The external lever on the Standard version stands off the door face by 51mm, while the outer handle on the Slim version stands off by just 24mm, allowing it to pass the fixed mullion as the door slides open. The handle backplate and cylinder roses are 29mm wide and have attractive radiused ends.

BTG10 handles are manufactured from aluminium. They are part of the continental greenteQ range and, as such, are available in the finishes most popular in Europe. These are white, brown, F1 silver anodised, F4 bronze anodised, and F9 dark silver anodised.

BTG10 is supplied as separate inner and outer sets, with separate spindle/screw packs to be selected according to the customer's external handle preference and profile thickness. I.e. you need to order an internal set, external set (Standard or Slim variant) and the correct spindle and screw set according to the profile thickness and external handle choice.

This ordering format allows fabricators to order different internal and external colours for bi-colour doors, and cuts out waste.

The screw heads are concealed under a twist cover on the inner backplate.

Benefits at a glance:

- Standard and Slim variants offer versatility
- Available in 5 attractive finishes
- Accommodates bi-colour doors
- 63 - 93mm sash thickness
- Suitable for Tilt/Slide doors and Tilt & Turn 'balcony' doors where external access is required
- No waste
- 5 year performance guarantee

VBH (GB) Ltd
VBH House, Bailey Drive,
Gillingham Business Park,
Gillingham, Kent
ME8 0WG
Tel: 01634 263263
Email: sales@vbhgb.com
Online: www.vbhgb.com

VBH

BTG10 Handle Sets

greenteQ

VBH Order Codes

Handle Options

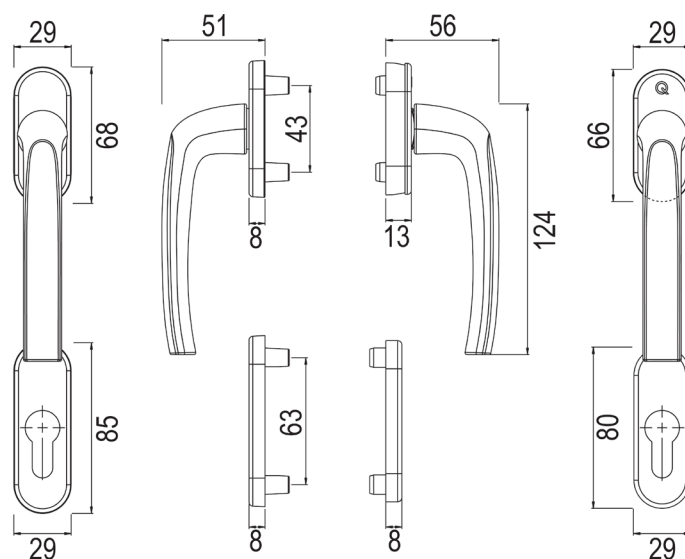
Colour	Internal Set	Standard External Set	Slim External Set	Box Qty
White RAL9016	2QHB3816	2QHB3824	2QHB3830	10
Brown RAL8077	-	2QHB3828	2QHB3834	10
F1 Silver Anodised	2QHB3817	2QHB3825	2QHB3831	10
F4 Bronze Anodised	2QHB3819	2QHB3827	2QHB3833	10
F9 Dark Silver Anodised	2QHB3818	2QHB3826	2QHB3832	10

Spindle/Screw Packs

Door Thickness	For Standard External Set	For Slim External Set	Box Qty
63 – 73mm	2QHB3821	2QHB3835	50
73 – 83mm	2QHB3822	2QHB3836	50
83 – 93mm	2QHB3823	2QHB3837	50

All Spindle/Screw Packs contain the correct length 7mm square spindle and four x M5 DIN964 machine screws, and a spring for the internal lever.

Standard Set - Drawing



Slim Set - Drawing

