

PRODUCT BULLETIN

greenteQ Aspire Suite Lift/Slide Door Furniture



greenteQ
architeQ

greenteQ Aspire Suite Lift/Slide Door Furniture

greenteQ Aspire is a top quality hardware suite consisting of handles and finger pulls for aluminium, timber and PVCu lift/slide doors.

Part of the architeQ range, the handles are available in nine finishes covered by the 25 year surface guarantee.

The 250mm lever provides plenty of leverage to drive the mechanism on the sash. This is important when you consider that lift/slide sashes can be up to 3335mm wide and weigh up to 400Kg depending on the gear used. A strong spring gives positive location in the 'closed' and 'slide' positions to further aid smooth operation.

The soft lines of the lever not only look great but make Aspire very comfortable to use. This 'soft' look is carried over to the handle backplate which features rounded ends. This also brings Aspire in line with the rounded backplate of the greenteQ Alpha and architeQ Coastline residential door handles.

Aspire handles are available with or without a profile cylinder hole and can be used either on the inside of the door only, or can be through-fixed back to back to provide internal/external access.

All spindles and screws are to be ordered separately and must be selected according to the choice of handle application.

If using the handle on the inside only, there is the option to through-fix into a finger cup (finger pull) on the outside of the door to enable the user to slide the sash easily. Alternatively, the outside of the door can be left blank.

We also offer a hi-grip version where the lever stands an extra 11mm away from the sash to give additional clearance.

Benefits at a glance:

- Operates large & heavy lift/slide doors with minimal effort
- Positive location for further ease of use
- Attractive soft lines
- Comfortable feel when in use
- Can be used on inside only, with external finger cup, or as a back to back pair for internal and external operation
- Available with or without profile cylinder hole
- Hi-Grip version for extra clearance
- 9 attractive finishes including brushed and polished stainless steel
- 25 Year architeQ surface guarantee
- Q-secure PREMIUM approved product
- Secured by Design approved product



VBH (GB) Ltd
VBH House, Bailey Drive,
Gillingham Business Park,
Gillingham, Kent
ME8 0WG
Tel: 01634 263263
Email: sales@vbhgb.com
www.vbhgb.com
Shop: www.vbhgb24.com



Aspire Suite Lift/Slide Door Furniture

greenteQ

VBH Order Codes

Aspire Handle with Profile Cylinder Hole

Finish	Standard	Hi-Grip
White	2QHB4601	2QHB4701
Anthracite Grey	2QHB4602	2QHB4702
Window Grey (RAL 7040)	2QHB4603	2QHB4703
Black	-	2QHB4704
PVD Gold	2QHB4605	2QHB4705
Satin Chrome	2QHB4607	2QHB4707
Polished S/Steel	2QHB4608	2QHB4708
Brushed S/Steel	2QHB4609	2QHB4709
Brushed Graphite	-	2QHB4710

Aspire Handle without Profile Cylinder Hole

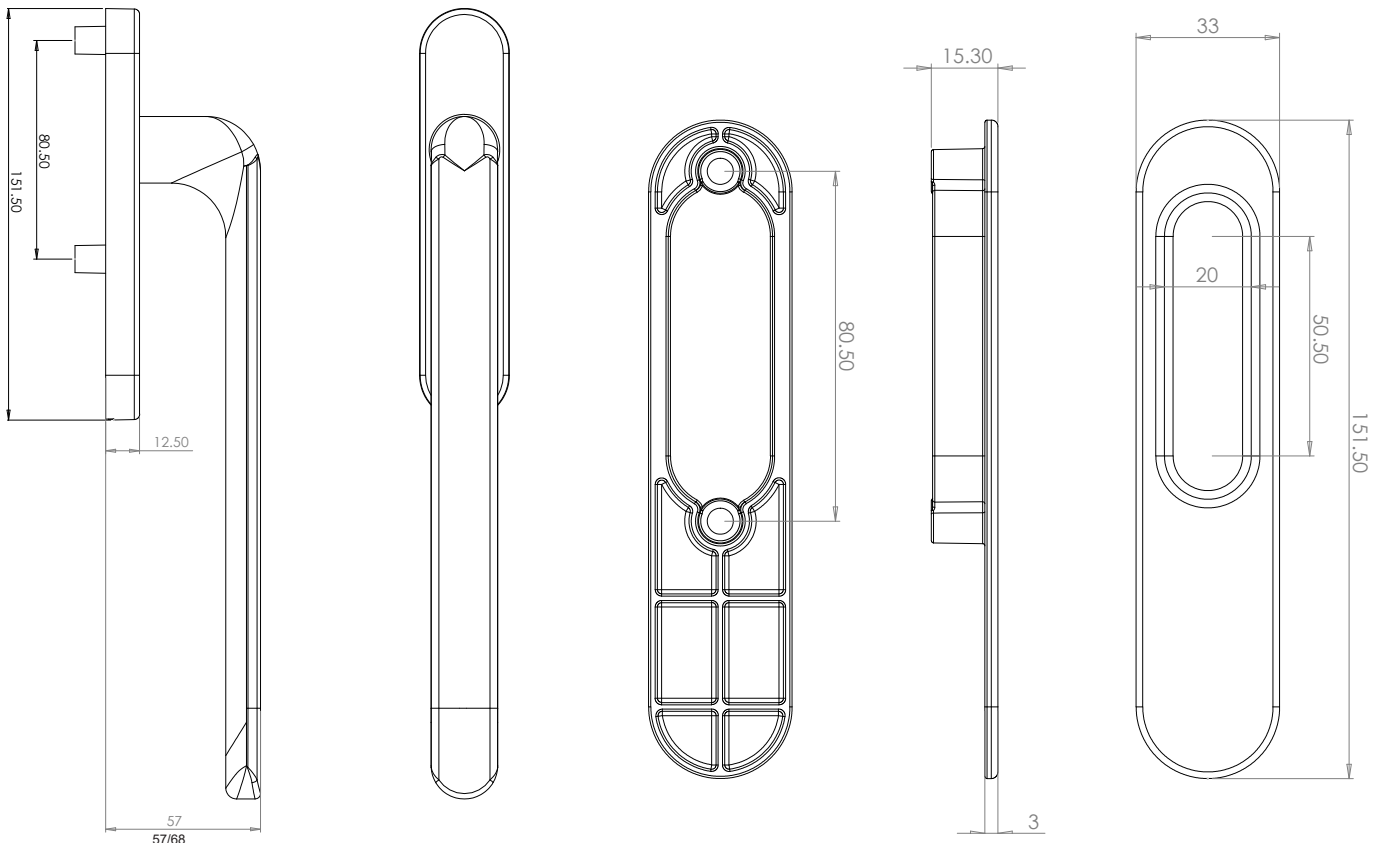
Finish	Standard	Hi-Grip
White	2QHB4621	2QHB4721
Anthracite Grey	2QHB4622	2QHB4722
Window Grey (RAL 7040)	2QHB4623	2QHB4723
Black	2QHB4624	2QHB4724
PVD Gold	2QHB4625	2QHB4725
Satin Chrome	2QHB4627	2QHB4727
Polished S/Steel	2QHB4628	2QHB4728
Brushed S/Steel	2QHB4629	2QHB4729
Brushed Graphite	-	2QHB4730

Aspire Finger Cup

Finish	VBH Code
White	2QHB4641
Anthracite Grey	2QHB4642
Window Grey (RAL 7040)	2QHB4643
Black	2QHB4644
PVD Gold	2QHB4645
Satin Chrome	2QHB4647
Polished S/Steel	2QHB4648
Brushed S/Steel	2QHB4649
Brushed Graphite	2QHB4650

Fixing Screws and Spindles

Description	VBH Code
10 x 60mm Spindle for Application with Internal Handle Only (with or without Finger Cup)	2QHB4662
Fixing Pack for Application with Internal Handle Only (2 No. M5 x 50mm CSK screws)	2QHB4665
Fixing Pack for Application with Internal Handle & External Finger Cup (2 No. M5 x 70mm CSK Head Screws & Nuts)	2QHB4664
10 x 105mm Spindle for Handle - Handle Application	2QHB4661
10 x 115mm Spindle for Handle - Handle Application	2QHB4660
7 x 7 x 120mm Spindle with 8 x 8 x 20mm Sleeve	2QHB4666
Fixing Pack for Handle - Handle Application (M5 x 70 Cap Head) 55 - 59 DT	2QHB4663
Fixing Pack for Handle - Handle Application (M5 x 70 Cap Head) 56 - 66 DT	2QHB4667
Fixing Pack for Handle - Handle Application (M5 x 80 Cap Head) 66 - 75 DT	2QHB4668
Fixing Pack for Handle - Handle Application (M5 x 90 Cap Head) 76 - 85 DT	2QHB4669



Please visit www.vbhg24.com to place orders.