

PRODUCT BULLETIN

greenteQ Aspire Bi-Fold Intermediate Handle



greenteQ
architeQ

greenteQ Aspire Bi-Fold Intermediate Handle

The Aspire Intermediate Handle by greenteQ is designed to operate the locks on the intermediate locking points of a bi-fold door. Its 43mm fixing centres match most intermediate locks currently in use, including the greenteQ Intermediate Lock for aluminium bi-fold doors.

Aspire is part of the architeQ range of stainless steel door and window furniture that is guaranteed for up to 25 years.

The handle is finished in a choice of nine colours to match or complement the many door colours that are popular today, whether on aluminium, PVCu or timber. The colour options are listed overleaf.

Standing just 16mm from the face of the profile, the handle allows a bi-fold's sashes to fold back neatly together in the fully open position.

The handles are individually packed, complete with M5 fixing bolts. The bolts are fully concealed by a pre-assembled snap-on stainless steel cover plate when fitted. The spindle is pre-fixed and projects by 48mm.

Four ball bearings in the mechanism ensure that the lever locates positively at 90° intervals.

Benefits at a glance:

- Can be used on bi-fold doors in all materials
- Stands off profile by only 16mm
- Part of the architeQ range
- 9 attractive finishes
- Positive location
- Supplied with fixing bolts
- Concealed fixings
- Grade 304 stainless steel construction
- 25 year architeQ surface guarantee
- Q-secure PREMIUM approved product

Ordering details can be found overleaf.



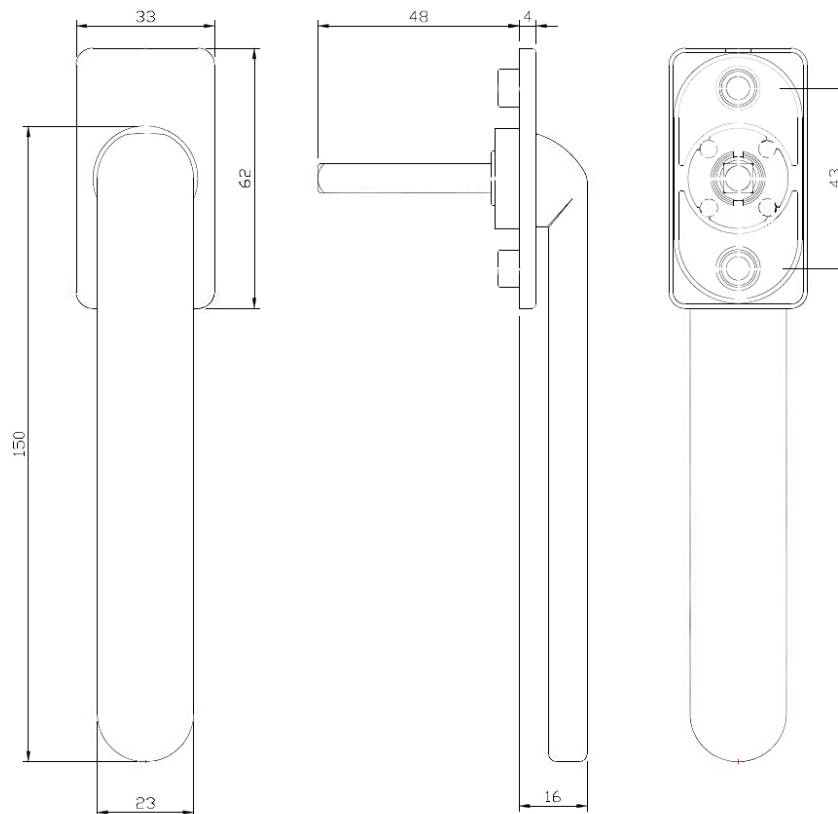
Aspire Sprung Door Handles & Escutcheon Plates

greenteQ

VBH Order Codes

Colour	VBH Code	Box Qty
White (RAL 9016)	2QHB4741	40
Anthracite Grey (RAL 7016)	2QHB4742	40
Window Grey (RAL 7040)	2QHB4743	40
Black (RAL 9005)	2QHB4744	40
PVD Gold	2QHB4745	40
Satin Chrome	2QHB4747	40
Polished Stainless Steel	2QHB4748	40
Brushed Stainless Steel	2QHB4749	40
Brushed Graphite	2QHB4750	40

Dimensions



Please visit www.vbhgb24.com to place orders.