

PRODUCT BULLETIN

Brookvent SM1000 Window Ventilator



BROOKVENT™

Brookvent SM1000 Window Ventilator

Brookvent SM1000 is a frame mounted aluminium window vent. It is available in 9 standard lengths measured by Geometric or Equivalent Area figures, and is also available in bespoke lengths. Standard and bespoke vents are supplied complete with end caps and screw covers.

SM1000 is supplied in 2 parts with the internal vent and external hood with insect grille sold separately. This makes mixing colours on dual colour windows very easy.

There are 2 options of internal vent. The 'Fully Controllable', or 'FC', allows the user to vary the amount of ventilation from the closed position through to fully open. When in the closed position the integral foam provides a thermal foam seal. This is the most popular version.

The 'Standard' version has no foam seal, and provides draught free upward deflected trickle ventilation even when closed.

SM1000 vents are available in 6 standard colours, or can be powder coated to the customer's own colour choice (subject to minimum order quantities). The vents are also available in mill finish so customers can arrange their own coating if preferred.

As well as the standard and bespoke lengths, SM1000 hoods and fully controllable vents can be supplied in bar lengths if required (2.6m and 2.87m respectively) with end caps and screw covers supplied in bulk.

VBH Item Codes and slot routing details can be found overleaf.

Features at a glance:

- Aluminium construction
- Slimline design
- Supplied in standard and bespoke ready made sizes and also in bar length
- Available in 6 standard colours and can be supplied in bespoke colours or mill finish
- Vent & Hood are supplied separately so it's easy to match windows with different internal and external colours
- 'Standard' and 'Fully Controllable' vent options
- Constant draught free ventilation on Standard version
- FC vent includes thermal foam seal
- External hood includes insect grille
- 10 year manufacturer's guarantee

Brookvent SM1000 Window Ventilator

Specifications

- Air Permeability (Tested to BS EN 13141-1): 50Pa – 0.14 l/s (Closed Position)
 - Water Tightness (Tested to BS EN 13141-1): No leakage @ 600 Pa
 - Acoustics (Tested to BS EN ISO 717-1:1999 & BS EN ISO 10140-2:2011)
 - Under normal circumstances the vent achieved the following sound reduction results:
 - Open – Up to 32db Dnt Rw
 - Closed – Up to 43db Dnt Rw
 - Open – Up to 29db Dne W
 - Closed – Up to 47db Dne W
- Acoustic test data is available upon request

Free Area (Geometric) Modular Sizes

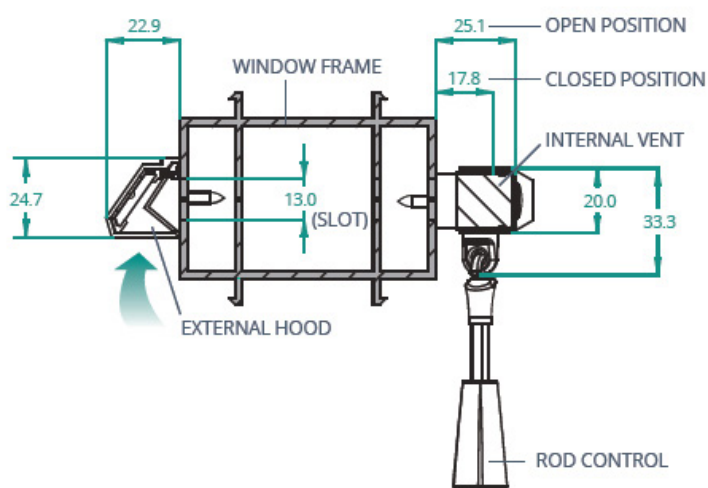
| Free Area (mm ²) | Equivalent Area (mm ²) | Overall Slot Size (mm) | Overall Vent Length (mm) | Overall Hood Length (mm) |
|------------------------------|------------------------------------|------------------------|--------------------------|--------------------------|
| 2000 | 1417 | 10 x 205 | 260 | 250 |
| 3000 | 2204 | 10 x 305 | 360 | 350 |
| 4000 | 2985 | 10 x 405 | 460 | 450 |
| 5000 | 3676 | 10 x 505 | 560 | 550 |
| 6000 | 4492 | 10 x 605 | 660 | 650 |

Equivalent Area Modular Sizes

| Free Area (mm ²) | Equivalent Area (mm ²) | Overall Slot Size (mm) | Overall Vent Length (mm) | Overall Hood Length (mm) |
|------------------------------|------------------------------------|------------------------|--------------------------|--------------------------|
| 3450 | 2500 | 10 x 345 | 400 | 390 |
| 4150 | 3000 | 10 x 415 | 470 | 460 |
| 4850 | 3500 | 10 x 485 | 540 | 530 |
| 5550 | 4000 | 10 x 555 | 610 | 600 |

Cross Section Dimensions

Cross Section Dimensions



Brookvent SM1000 Window Ventilator

VBH Item Codes

Fully Controllable Internal Vent

| Length (mm) | White | Black | Anthracite Grey | Brown | Oak | Cream |
|-------------|----------|----------|-----------------|-------|-----|-------|
| 260 | * | * | * | * | * | * |
| 360 | 5BRV0401 | 5BRV0406 | 5BRV0426 | * | * | * |
| 400 | 5BRV0231 | * | 5BRV0256 | * | * | * |
| 460 | * | * | * | * | * | * |
| 470 | * | * | * | * | * | * |
| 540 | * | * | * | * | * | * |
| 560 | * | * | * | * | * | * |
| 610 | 5BRV0234 | * | 5BRV0239 | * | * | * |
| 660 | * | * | * | * | * | * |

External Hood

| Length (mm) | White | Black | Anthracite Grey | Brown | Oak | Cream |
|-------------|----------|----------|-----------------|-------|-----|-------|
| 250 | * | * | * | * | * | * |
| 350 | 5BRV0301 | 5BRV0306 | 5BRV0326 | * | * | * |
| 390 | 5BRV0200 | 5BRV0205 | 5BRV0225 | * | * | * |
| 450 | * | * | * | * | * | * |
| 460 | * | * | * | * | * | * |
| 530 | * | * | * | * | * | * |
| 550 | * | * | * | * | * | * |
| 600 | 5BRV0203 | 5BRV0208 | * | * | * | * |
| 650 | * | * | * | * | * | * |

*all items marked with an asterisk are available to order but are not VBH stock items at the time of writing. A short lead time may apply.