



Roto Tilt & Turn Hardware Systems

Issue 2





Always at your side - the VBH Enhanced Service Package

More products. More brands. More choice.

Simply everything you need to manufacture and install windows and doors is available from VBH. By 'everything' we mean that our products deliver everything you would expect in terms of quality. This means you have access to the most comprehensive, and consistently high quality range in the sector.

Everything simple, from the very first conversation through to everyday contact, from good, old fashioned face-to-face meetings to the use of modern communications. At VBH, the people are there to help you, going about our work in a helpful and friendly way. Our modern communication tools are designed for maximum efficiency and reliability, so that you can concentrate on the essentials: Your customers.

The expert brand for window and door hardware is always there for you. We are with you on the road to success. Benefit from our efficient working practices and profit from our staff's expert knowledge. Put simply, you can expect a good deal more from us than from ordinary suppliers. Rely on the VBH Enhanced Service Package - at any time.

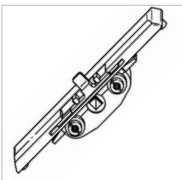


Tilt & Turn Systems (Tilt First)



System Name	Hinge Type	Security Level	Material	Eurogroove Axis	Page No.
Designo II	Concealed	Standard	PVCu/Aluminium	13	04 - 06
Designo II	Concealed	Standard	Timber	13	07 - 09
Designo II	Concealed	Security	PVCu/Aluminium	13	10 - 12
Designo II	Concealed	Both	Timber	13	13 - 15
NT 'R' Royal	Concealed	Standard	All	9	16 - 18
NT 'R' Royal	Concealed	Security	All	9	19 - 21
NT 'K'	Surface Fit	Standard	PVCu	9/13	22 - 24
NT 'K'	Surface Fit	Security	PVCu	9/13	25 - 27
NT 'A' Jigless	Surface Fit	Standard	PVCu/Timber	9/13	28 - 30
NT 'A' Jigless	Surface Fit	Security	PVCu/Timber	9/13	31 - 33
Avdes	Concealed	Standard	Aluminium	N/A	34 - 35
AL	Surface Fit	Standard	Aluminium	N/A	36 - 37

Accessories



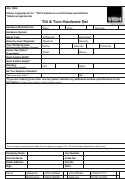
Flush Encased Gearbox for Aluminium Windows 38

Tilt & Turn Handles



greenteQ - Spindle Drive 39
 Hoppe - Spindle Drive 40
 Roto - Spindle Drive 41
 Roto - Fork Drive 42

Order Form



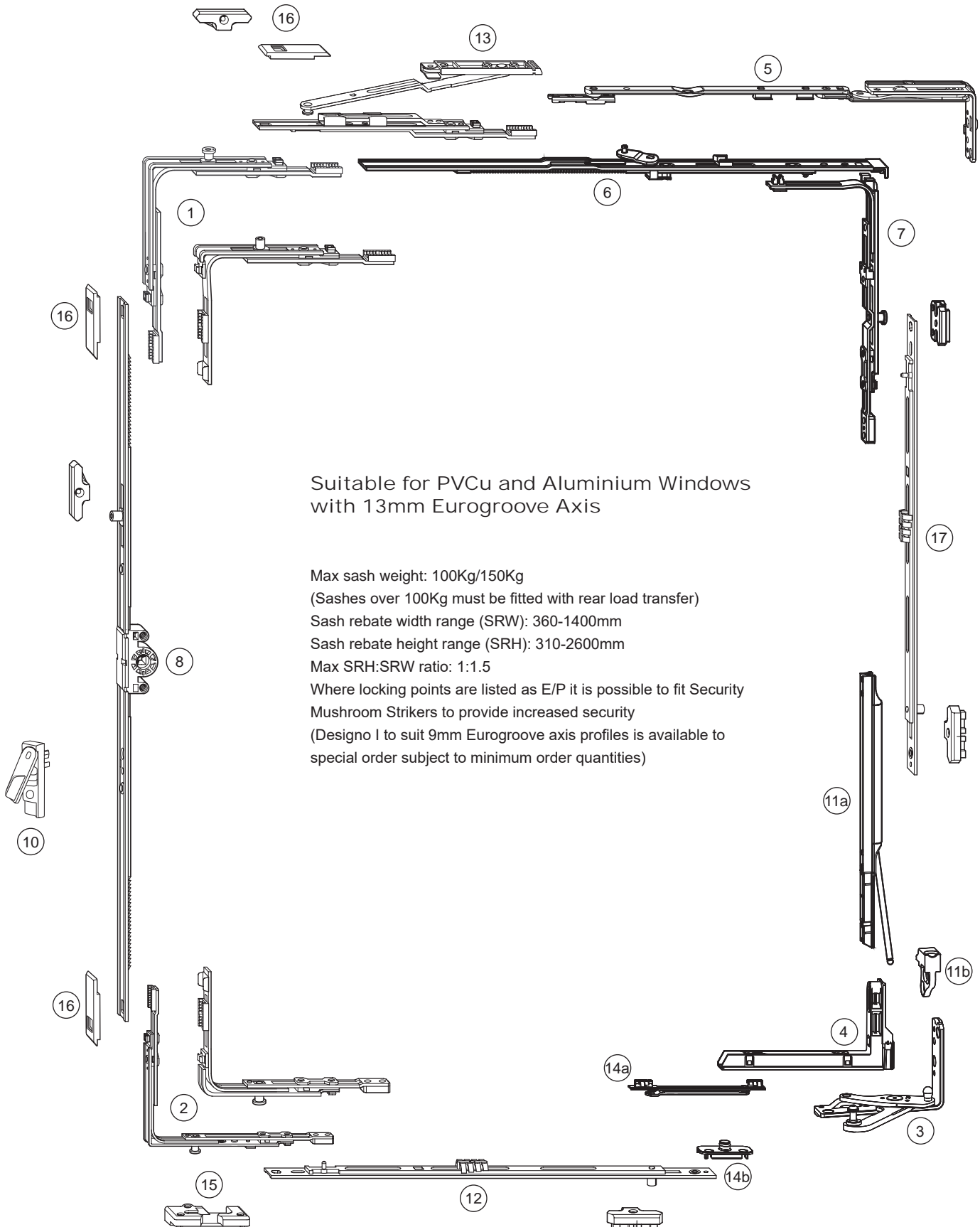
Order Form 43

Tilt & Turn Roto

For use on:

PVCu	✓
Aluminium	✓
Timber	x

Designo II - Concealed TBT System - Standard (13mm Eurogroove)



Suitable for PVCu and Aluminium Windows
with 13mm Eurogroove Axis

Max sash weight: 100Kg/150Kg

(Sashes over 100Kg must be fitted with rear load transfer)

Sash rebate width range (SRW): 360-1400mm

Sash rebate height range (SRH): 310-2600mm

Max SRH:SRW ratio: 1:1.5

Where locking points are listed as E/P it is possible to fit Security
Mushroom Strikers to provide increased security

(Designo I to suit 9mm Eurogroove axis profiles is available to
special order subject to minimum order quantities)

For use on:	
PVCu	✓
Aluminium	✓
Timber	x

Designo II - Concealed TBT System - Standard (13mm Eurogroove)

Pos.	Description	VBH Code	Lkg Points	SRW	SRH	Qty Req	Box Qty
1	Top Corner Drive (Select SRW & SRH) Note - It is not possible to have a window with SRW <431mm AND SRH < 361mm Corner Drive Short NT (if SRW<431 or SRH<361) Corner Drive NT	5RNT0002 5RNT0003	1E/P 1E/P	360-430 431-1400	310-360 361-2600	1	10 10
2	Bottom Corner Drive NT	5RNT0003		360-1400	280-2600	1	10
3	Pivot Rest* (Select profile & handing) LH RH	5RNT - - - - 5RNT - - - -				1	10 10
4	Corner Hinge	5RNT3107				1	40
5	Stay Arm* (Select SRW, profile & handing) LH Size 250 RH Size 250 LH Size 350 RH Size 350 LH Size 500 RH Size 500	5RNT - - - - 5RNT - - - - 5RNT - - - - 5RNT - - - - 5RNT - - - - 5RNT - - - -		360-600 360-600 601-800 601-800 801-1400 801-1400		1	10 10 10 10 10 10
6	Stay Guide (Select SRW) Size 490 Size 690 Size 890 Size 1090	5RNT3100 5RNT3101 5RNT3102 5RNT3103		360-600 601-800 801-1000 1001-1400		1	10 10 10 10
7	Centre Lock/Stay Guide Connector	5RNT0020	1E/P			1	10
8	15mm BS Variable Handle Height Drive Gear (Select SRH) (Slim 8mm BS version also available - Please enquire) Size 430 ** Size 400 ** Size 580 Size 980 Size 1380 Size 1780 Size 2180	5RNT0051 5RNT0052 5RNT0053 5RNT0054 5RNT0055 5RNT0056 5RNT0057			310-450 451-620 621-800 801-1200 1201-1600 1601-2000 2001-2600	1	10 10 10 10 10 10 10
9	Handle Side Centre Lock (Select only on SRH 2401-2600mm)	5RNT0019			2401-2600	1	22
10	Anti-Mishandling Device (Select handing) LH RH	5RNT0249 5RNT0250			621-2600 621-2600	1	100 100
Load Transfer Device							
IMPORTANT! LOAD TRANSFER DEVICE COMPONENTS MUST BE FITTED IF SASH WEIGHT EXCEEDS 100KG!							
11a	Load Transfer Sash Component	5RNT3105				1	60
11b	Load Transfer Frame Component	5RNT3106				1	20
12	Horizontal Centre Lock (Select SRW) Size 200 Size 400 Size 600	5RNT0031 5RNT0022 5RNT0023	1E/P 1 1	800-1000 1001-1200 1201-1400		1	10 10 10
13	Additional Stay (Select only on SRW over 1200mm)	5RNT0106		1201-1400		1	20

** It is not possible to fit an anti-mishandling device to this size drive gear

For use on:	
PVCu	✓
Aluminium	✓
Timber	x

Designo II - Concealed TBT System - Standard (13mm Eurogroove)

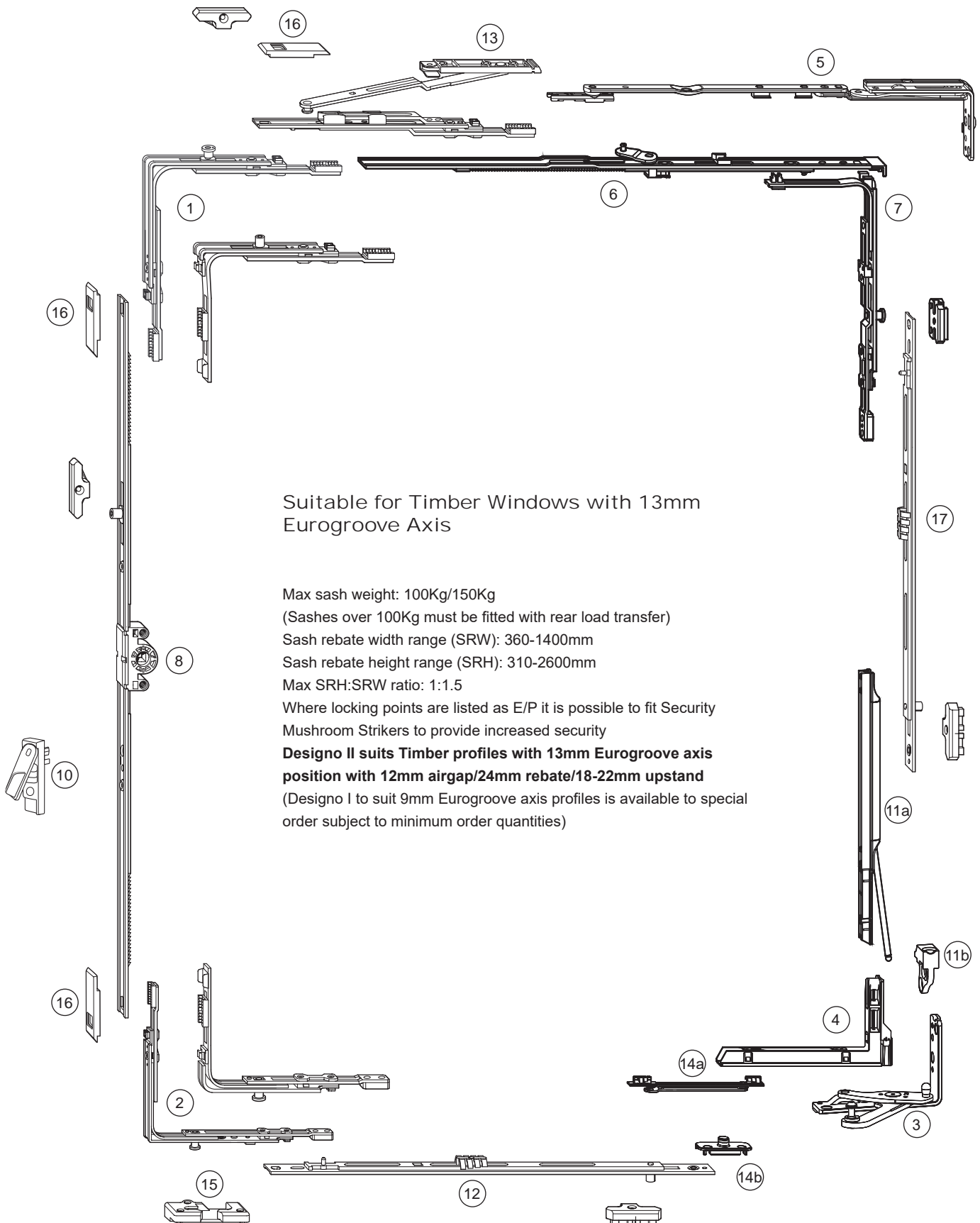
Pos.	Description	VBH Code	Lkg Points	SRW	SRH	Qty Req	Box Qty					
Turn Restrictor (Mandatory if SRW exceeds 1000mm or if Load Transfer is used. Can be fitted on any window exceeding SRW 525mm)												
14a	Turn Restrictor Sash Component	5RNT3104		1001-1400		1	10					
14b	Turn Restrictor Frame Component*	5RNT - - - -		1001-1400		1	10					
	Casement Striker*	5RNT - - - -				Count E Cams	300					
	Mushroom Security Striker*	5RNT - - - -				Count P Cams	100					
15	TBT Striker* (Select profile & handing)	5RNT - - - -				1	100					
16	Connector Plate	5RNT0010				3	300					
	Handle (See TBT Handle section)											
	Handle Screw M5 x 40 (Optional)	5HSR0074				2	500					
17	Vertical Centre Lock (Select Without or With Load Transfer section, and SRH)					1						
Without Load Transfer (Size breaks refer to SRH)		VBH Code	800-1200	1201-1600	1601-2000	2001-2400	2401-2600	Lkg Pts Ea	Box Qty			
Size 400		5RNT0022	1			1		1	10			
Size 600		5RNT0023			1			1	10			
Size 600 Connectable		5RNT0024		1	1	2	3	1	10			
Size 200		5RNT0031		1			1	1E/P	10			
With Load Transfer (Size breaks refer to SRH)		VBH Code	1000-1200	1201-1400	1401-1600	1601-1800	1801-2000	2001-2200	2201-2400	2401-2600	Lkg Pts Ea	Box Qty
Size 400		5RNT0022	1			1		1			1	10
Size 600		5RNT0023		1			1			1	1	10
Size 600 Connectable		5RNT0024			1	1	1	2	2	2	1	10
Size 200		5RNT0031			1			1			1E/P	10
Fitting Jigs*		VBH Code	Lkg Points		SRW	SRH	Qty Req	Box Qty				
Top & Bottom Hinge Jig		5RNT - - - -					1	1				

*Contact VBH or visit www.vbhgb.com for profile related parts specification

Tilt & Turn Roto

For use on:	
PVCu	x
Aluminium	x
Timber	✓

Designo II - Concealed TBT System - Standard (13mm Eurogroove)



Suitable for Timber Windows with 13mm Eurogroove Axis

Max sash weight: 100Kg/150Kg

(Sashes over 100Kg must be fitted with rear load transfer)

Sash rebate width range (SRW): 360-1400mm

Sash rebate height range (SRH): 310-2600mm

Max SRH:SRW ratio: 1:1.5

Where locking points are listed as E/P it is possible to fit Security

Mushroom Strikers to provide increased security

Designo II suits Timber profiles with 13mm Eurogroove axis

position with 12mm airgap/24mm rebate/18-22mm upstand

(Designo I to suit 9mm Eurogroove axis profiles is available to special order subject to minimum order quantities)

For use on:	
PVCu	x
Aluminium	x
Timber	✓

Designo II - Concealed TBT System - Standard (13mm Eurogroove)

Pos.	Description	VBH Code	Lkg Points	SRW	SRH	Qty Req	Box Qty
	Top Corner Drive (Select SRW & SRH)					1	
	Note - It is not possible to have a window with SRW <431mm AND SRH < 361mm						
1	Corner Drive Short NT (If SRW<431 or SRH<361)	5RNT0002	1E/P	360-430	310-360		10
	Corner Drive NT	5RNT0003	1E/P	431-1400	361-2600		10
2	Bottom Corner Drive NT	5RNT0003		360-1400	280-2600	1	10
3	Pivot Rest Rebate Depth 24mm (Select handing)					1	
	LH	5RNT3121					10
	RH	5RNT3122					10
4	Corner Hinge	5RNT3107				1	40
5	Stay Arm Rebate Depth 24mm (Select SRW & handing)					1	
	LH Size 250	5RNT3123		360-600			10
	RH Size 250	5RNT3124		360-600			10
	LH Size 350	5RNT3125		601-800			10
	RH Size 350	5RNT3126		601-800			10
	LH Size 500	5RNT3127		801-1400			10
	RH Size 500	5RNT3128		801-1400			10
6	Stay Guide (Select SRW)					1	
	Size 490	5RNT3100		360-600			10
	Size 690	5RNT3101		601-800			10
	Size 890	5RNT3102	1	801-1000			10
	Size 1090	5RNT3103	1	1001-1400			10
7	Centre Lock/Stay Guide Connector	5RNT0020	1E/P			1	10
8	15mm BS Variable Handle Height Drive Gear (Select SRH) (Slim 8mm BS version also available - Please enquire)					1	
	Size 430 **	5RNT0051			310-450		10
	Size 400 **	5RNT0052			451-620		10
	Size 580	5RNT0053	1		621-800		10
	Size 980	5RNT0054	1		801-1200		10
	Size 1380	5RNT0055	2		1201-1600		10
	Size 1780	5RNT0056	2		1601-2000		10
	Size 2180	5RNT0057	4		2001-2600		10
9	Handle Side Centre Lock (Select only on SRH 2401-2600mm)	5RNT0019			2401-2600	1	22
10	Anti-Mishandling Device (Select handing)					1	
	LH	5RNT0249			621-2600		100
	RH	5RNT0250			621-2600		100
	Load Transfer Device						
	IMPORTANT! LOAD TRANSFER DEVICE COMPONENTS MUST BE FITTED IF SASH WEIGHT EXCEEDS 100KG!						
11a	Load Transfer Sash Component	5RNT3105				1	60
11b	Load Transfer Frame Component	5RNT3106				1	20
12	Horizontal Centre Lock - Size 600	5RNT0023	1	1201-1400			10
13	Additional Stay (Select only on SRW over 1200mm)	5RNT0106		1201-1400		1	20



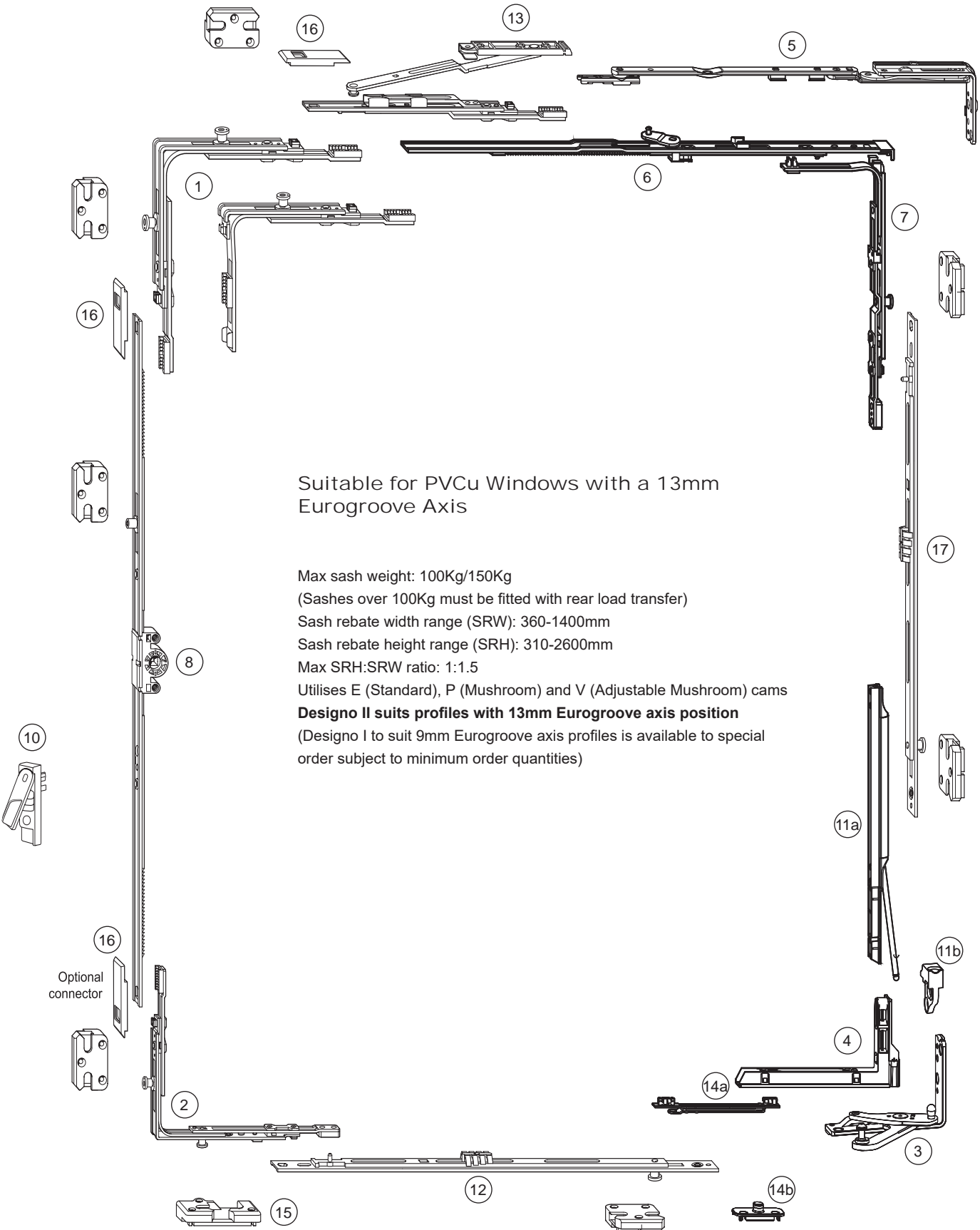
For use on:	
PVCu	x
Aluminium	x
Timber	✓

Designo II - Concealed TBT System - Standard (13mm Eurogroove)

Pos.	Description	VBH Code	Lkg Points	SRW	SRH	Qty Req	Box Qty
Turn Restrictor (Mandatory if SRW exceeds 1000mm or if Load Transfer is used. Can be fitted on any window exceeding SRW 525mm)							
14a	Turn Restrictor Sash Component	5RNT3104		1001-1400		1	10
14b	Turn Restrictor Frame Component	5RNT3108		1001-1400		1	10
	Casement Striker	5RNT1031				Count E Cams	300
	Mushroom Security Striker (Select handing)					Count P Cams	100
	LH	5RNT2043					
	RH	5RNT2044					
15	TBT Striker (Select handing)					1	100
	LH	5RNT0759					
	RH	5RNT0760					
16	Connector Plate	5RNT0010				3	300
	Handle (See TBT Handle section)						
	Handle Screw M5 x 40 (Optional)	5HSR0074				2	500
17	Vertical Centre Lock (Select SRH)						
	Size 400	5RNT0022	1		1100-1150	1	10
	Size 600	5RNT0023	1		1151-1800	1	10
	Size 600 and	5RNT0023	1		1801-2400	1	10
	Size 600 Connectable	5RNT0024	1			1	10
	Size 400 and	5RNT0022	1		2401-2600	1	10
	Size 600 Connectable	5RNT0024	1			2	10
	Fitting Jigs						
	Top & Bottom Hinge Jig	5RNT3120				1	1

PVCu	✓
Aluminium	✓
Timber	x

Designo II - Concealed TBT System - Security (13mm Eurogroove)



For use on:	
PVCu	✓
Aluminium	✓
Timber	x

Designo II - Concealed TBT System - Security (13mm Eurogroove)

Pos.	Description	VBH Code	Lkg Points	SRW	SRH	Qty Req	Box Qty
1	Top Corner Drive (Select SRW & SRH) Note - It is not possible to have a window with SRW <430mm AND SRH < 361mm					1	
	Corner Drive Short NT	5RNT0004	1P	360-430	310-360		10
	Corner Drive NT	5RNT0005	2V	431-1400	361-2600		10
2	Bottom Corner Drive NT	5RNT0005	1V	360-1400	280-2600	1	10
3	Pivot Rest* (Select profile & handing)					1	
	LH	5RNT - - - -					10
	RH	5RNT - - - -					10
4	Corner Hinge	5RNT3107				1	40
5	Stay Arm* (Select SRW, profile & handing)					1	
	LH Size 250	5RNT - - - -		360-600			10
	RH Size 250	5RNT - - - -		360-600			10
	LH Size 350	5RNT - - - -		601-800			10
	RH Size 350	5RNT - - - -		601-800			10
	LH Size 500	5RNT - - - -		801-1400			10
	RH Size 500	5RNT - - - -		801-1400			10
6	Stay Guide (Select SRW)					1	
	Size 490	5RNT3100		360-600			10
	Size 690	5RNT3101		601-800			10
	Size 890	5RNT3102	1E	801-1000			10
	Size 1090	5RNT3103	1E	1001-1400			10
7	Centre Lock/Stay Guide Connector	5RNT0020	1P			1	10
8	15mm BS Variable Handle Height Drive Gear (Select SRH) (Slim 8mm BS version also available - Please enquire)					1	
	Size 430 **	5RNT0051			310-450		10
	Size 400 **	5RNT0052			451-620		10
	Size 580	5RNT0053	1E		621-800		10
	Size 980	5RNT0054	1E		801-1200		10
	Size 1380	5RNT0055	2E		1201-1600		10
	Size 1780	5RNT0056	2E		1601-2000		10
	Size 2180	5RNT0057	4E		2001-2600		10
9	Handle Side Centre Lock (Select only on SRH 2401-2600mm)	5RNT0019			2401-2600	1	22
10	Anti-Mishandling Device (Select handing)					1	
	LH	5RNT0249			621-2600		100
	RH	5RNT0250			621-2600		100
	Load Transfer Device						
	IMPORTANT! LOAD TRANSFER DEVICE COMPONENTS MUST BE FITTED IF SASH WEIGHT EXCEEDS 100KG!						
11a	Load Transfer Sash Component	5RNT3105				1	60
11b	Load Transfer Frame Component	5RNT3106				1	20
12	Horizontal Centre Lock (Select SRW)					1	
	Size 200	5RNT0031	1P	800-1000			10
	Size 400	5RNT0032	1P	1001-1200			10
	Size 600	5RNT0033	1P	1201-1400			10
13	Additional Stay (Select only on SRW over 1200mm)	5RNT0106		1201-1400		1	20

*Profile related item. Visit www.vbhgb.com or contact VBH for specification to suit your system
**It is not possible to fit an anti-mishandling device with this size

For use on:	
PVCu	✓
Aluminium	✓
Timber	x

Designo II - Concealed TBT System - Security (13mm Eurogroove)

Pos.	Description	VBH Code	Lkg Points	SRW	SRH	Qty Req	Box Qty					
Turn Restrictor (Mandatory if SRW exceeds 1000mm or if Load Transfer is used. Can be fitted on any window exceeding SRW 525mm)												
14a	Turn Restrictor Sash Component	5RNT3104		1001-1400		1	10					
14b	Turn Restrictor Frame Component*	5RNT - - - -		1001-1400		1	10					
	Casement Striker*	5RNT - - - -				Count E Cams	300					
	Mushroom Security Striker*	5RNT - - - -				Count P&V Cams	100					
15	TBT Striker* (Select profile & handing)	5RNT - - - -				1	100					
16	Connector Plate	5RNT0010				3	300					
	Handle (See TBT Handle section)											
	Handle Screw M5 x 40 (Optional)	5HSR0074				2	500					
17	Vertical Centre Lock (Select Without or With Load Transfer section, and SRH)					1						
Without Load Transfer (Size breaks refer to SRH)		VBH Code	800-1200	1201-1600	1601-2000	2001-2400	2401-2600	Lkg Pts Ea	Box Qty			
	Size 400	5RNT0032	1			1		1P	10			
	Size 600	5RNT0033			1			1P	10			
	Size 600 Connectable	5RNT0034		1	1	2	3	1P	10			
	Size 200	5RNT0031		1			1	1P	10			
With Load Transfer (Size breaks refer to SRH)		VBH Code	1000-1200	1201-1400	1401-1600	1601-1800	1801-2000	2001-2200	2201-2400	2401-2600	Lkg Pts Ea	Box Qty
	Size 400	5RNT0032	1			1		1		1P	10	
	Size 600	5RNT0033		1			1		1	1P	10	
	Size 600 Connectable	5RNT0034			1	1	1	2	2	1P	10	
	Size 200	5RNT0031			1		1			1P	10	
Fitting Jigs*												
	Top & Bottom Hinge Jig	5RNT - - - -								1	1	

*Contact VBH or visit www.vbhgb.com for profile related parts specification

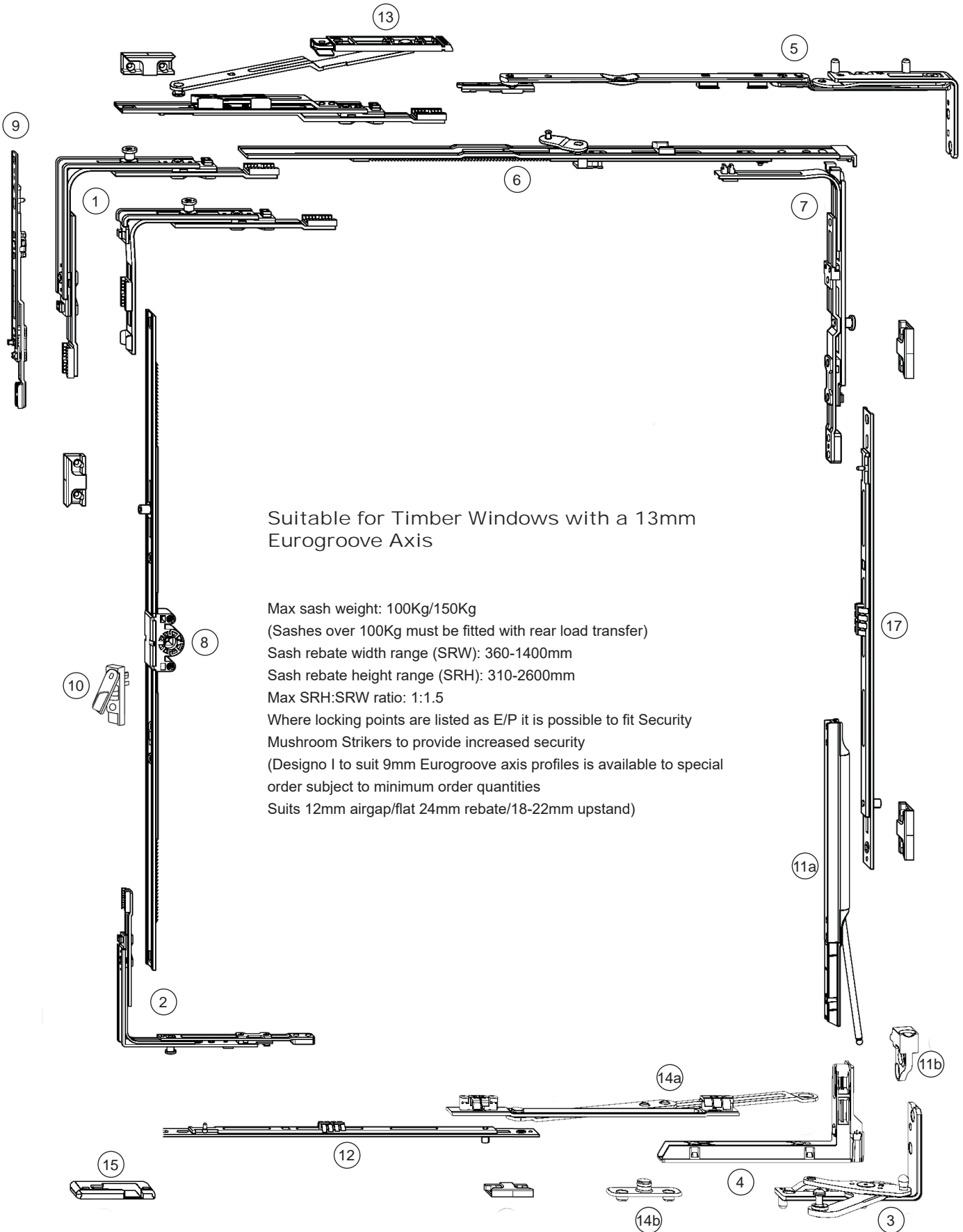


Tilt & Turn Roto

For use on:

PVCu	x
Aluminium	x
Timber	✓

Designo II - Concealed TBT System - Standard/Security (13mm Eurogroove)



For use on:	
PVCu	x
Aluminium	x
Timber	✓

Designo II - Concealed TBT System - Standard/Security (13mm Eurogroove)

Pos.	Description	VBH Code	Lkg Points	SRW	SRH	Qty Req	Box Qty
1	Top Corner Drive (Select SRW & SRH) <small>Note - It is not possible to have a window with SRW <430mm AND SRH < 361mm</small>					1	
	Corner Drive Short NT	5RNT0004	1P	360-430	310-360		10
	Corner Drive NT	5RNT0005	2V	431-1400	361-2600		10
2	Bottom Corner Drive NT	5RNT0005	1V	360-1400	280-2600	1	10
3	Pivot Rest Rebate Depth 24mm (Select handing)					1	
	LH	5RNT3121					10
	RH	5RNT3122					10
4	Corner Hinge	5RNT3107				1	40
5	Stay Arm Rebate Depth 24mm (Select SRW & handing)					1	
	LH Size 250	5RNT3123		360-600			10
	RH Size 250	5RNT3124		360-600			10
	LH Size 350	5RNT3125		601-800			10
	RH Size 350	5RNT3126		601-800			10
	LH Size 500	5RNT3127		801-1400			10
	RH Size 500	5RNT3128		801-1400			10
6	Stay Guide (Select SRW)					1	
	Size 490	5RNT3100		360-600			10
	Size 690	5RNT3101		601-800			10
	Size 890	5RNT3102	1E	801-1000			10
	Size 1090	5RNT3103	1E	1001-1400			10
7	Centre Lock/Stay Guide Connector	5RNT0020	1P			1	10
8	15mm BS Variable Handle Height Drive Gear (Select SRH)					1	
	Size 430 **	5RNT0051			310-450		10
	Size 400 **	5RNT0052			451-620		10
	Size 580	5RNT0053	1E		621-800		10
	Size 980	5RNT0054	1E		801-1200		10
	Size 1380	5RNT0055	2E		1201-1600		10
	Size 1780	5RNT0056	2E		1601-2000		10
	Size 2180	5RNT0057	4E		2001-2600		10
9	Handle Side Centre Lock (Select only on SRH 2401-2600mm)	5RNT0019			2401-2600	1	22
10	Anti-Mishandling Device (Select handing)					1	
	LH	5RNT0249			621-2600		100
	RH	5RNT0250			621-2600		100
	Load Transfer Device						
	IMPORTANT! LOAD TRANSFER DEVICE COMPONENTS MUST BE FITTED IF SASH WEIGHT EXCEEDS 100KG!						
11a	Load Transfer Sash Component	5RNT3105				1	60
11b	Load Transfer Frame Component	5RNT3106				1	20
12	Horizontal Centre Lock (Select SRW)					1	
	Size 200	5RNT0031	1P	800-1000			10
	Size 400	5RNT0032	1P	1001-1200			10
	Size 600	5RNT0033	1P	1201-1400			10
13	Additional Stay (Select only on SRW over 1200mm)	5RNT0106		1201-1400		1	20

**It is not possible to fit an anti-mishandling device with this size



Tilt & Turn Roto

For use on:	
PVCu	x
Aluminium	x
Timber	✓

Designo II - Concealed TBT System - Standard/Security (13mm Eurogroove)

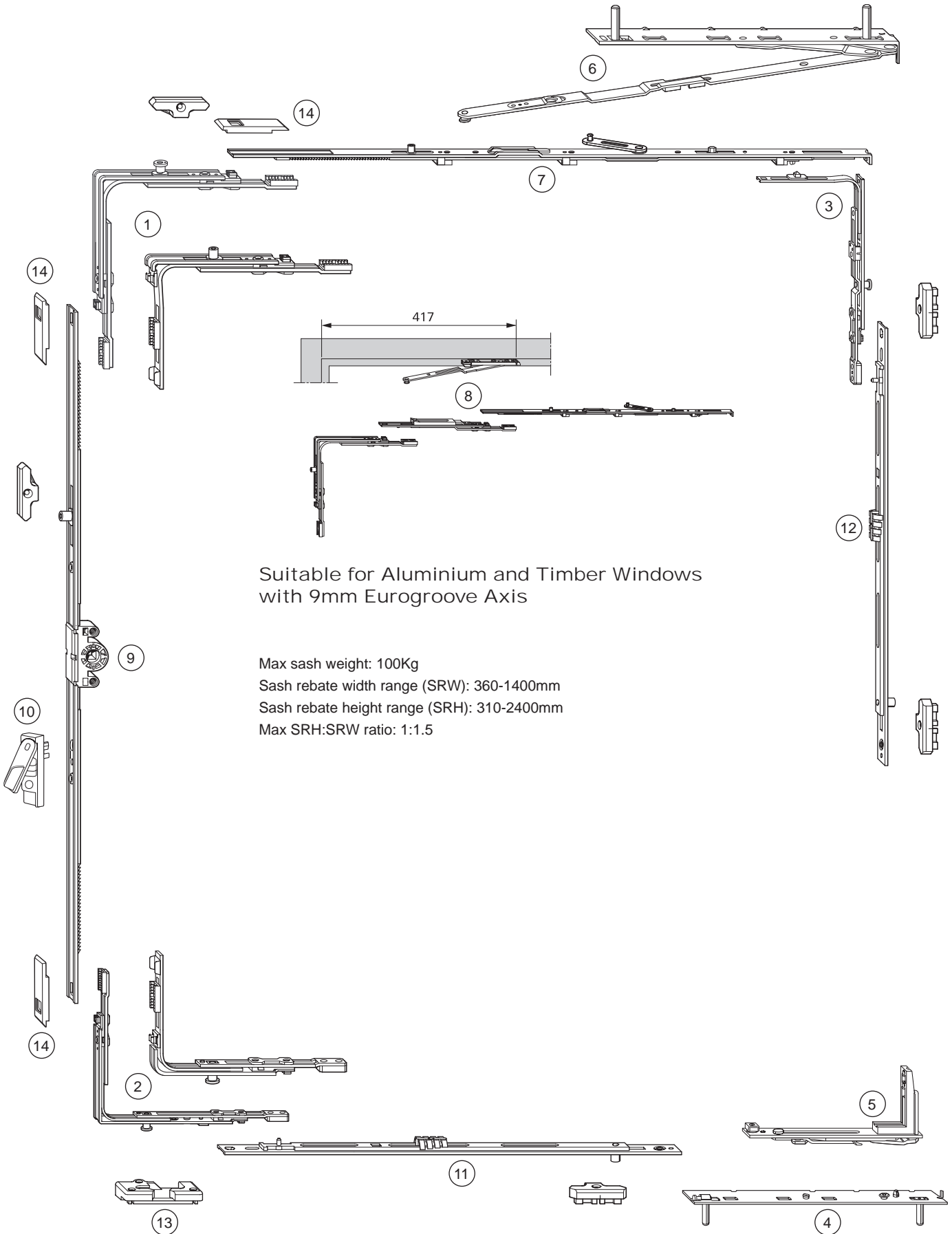
Pos.	Description	VBH Code	Lkg Points	SRW	SRH	Qty Req	Box Qty					
Turn Restrictor (Mandatory if SRW exceeds 1000mm or if Load Transfer is used. Can be fitted on any window exceeding SRW 525mm)												
14a	Turn Restrictor Sash Component	5RNT3104		1001-1400		1	10					
14b	Turn Restrictor Frame Component	5RNT3108		1001-1400		1	10					
	Casement Striker	5RNT1031				Count E Cams	300					
	Mushroom Security Striker (Select handing)					Count P&V Cams	100					
	LH	5RNT2043										
	RH	5RNT2044										
15	TBT Striker (Select handing)					1	100					
	LH	5RNT0759										
	RH	5RNT0760										
16	Connector Plate	5RNT0010				3	300					
	Handle (See TBT Handle section)											
	Handle Screw M5 x 40 (Optional)	5HSR0074				2	500					
17	Vertical Centre Lock (Select Without or With Load Transfer section, and SRH)					1						
Without Load Transfer (Size breaks refer to SRH)		VBH Code	800-1200	1201-1600	1601-2000	2001-2400	2401-2600	Lkg Pts Ea	Box Qty			
	Size 400	5RNT0032	1			1		1P	10			
	Size 600	5RNT0033			1			1P	10			
	Size 600 Connectable	5RNT0034		1	1	2	3	1P	10			
	Size 200	5RNT0031		1			1	1P	10			
With Load Transfer (Size breaks refer to SRH)		VBH Code	1000-1200	1201-1400	1401-1600	1601-1800	1801-2000	2001-2200	2201-2400	2401-2600	Lkg Pts Ea	Box Qty
	Size 400	5RNT0032	1			1		1			1P	10
	Size 600	5RNT0033		1		1			1		1P	10
	Size 600 Connectable	5RNT0034			1	1	1	2	2	2	1P	10
	Size 200	5RNT0031			1		1				1P	10
Fitting Jig												
	Top & Bottom Hinge Jig (24mm Rebate)	5RNT3120									1	1

Tilt & Turn Roto

For use on:

PVCu	x
Aluminium	✓
Timber	✓

NT 'R' Royal - Concealed Hinge TBT System - Standard (9mm Eurogroove)



For use on:	
PVCu	x
Aluminium	✓
Timber	✓

NT 'R' Royal - Concealed Hinge TBT System - Standard (9mm Eurogroove)

Pos.	Description	VBH Code	Lkg Points	SRW	SRH	Qty Req	Box Qty
1	Top Corner Drive (Select SRH)					1	
	Corner Drive Short NT	5RNT0002	1		310-450		10
	Corner Drive NT	5RNT0003	1		451-2400		10
2	Bottom Corner Drive NT (Select SRH)					1	
	Corner Drive NT Short	5RNT0004			310-450		10
	Corner Drive NT	5RNT0003			451-2400		10
3	Centre Lock/Stay Guide Connector					1	
	360-800	5RNT0218	1	360-800			10
	801-1400	5RNT0020	1	801-1400			10
4	Pivot Rest* (Select profile & handing)					1	
	LH	5RNT - - - -					50
	RH	5RNT - - - -					50
5	Corner Hinge (Select handing)					1	
	LH	5RNT0109					20
	RH	5RNT0110					20
6	Stay Arm* (Select SRW, profile & handing)					1	
	LH Size 250	5RNT - - - -		360-800			50
	RH Size 250	5RNT - - - -		360-800			50
	LH Size 450	5RNT - - - -		801-1400			30
	RH Size 450	5RNT - - - -		801-1400			30
7	Stay Guide (Select SRW)					1	
	Size 300	5RNT0221		360-410			10
	Size 490	5RNT0222		411-600			10
	Size 690	5RNT0223		601-800			10
	Size 890	5RNT0224	1	801-1000			10
	Size 1090	5RNT0225	1	1001-1400			10
8	Additional Stay (Select SRW)	5RNT0106		1201-1400			20
9	15mm BS Variable Handle Height Drive Gear (Select SRH) (Slim 8mm BS version also available - Please enquire)					1	
	Size 430 **	5RNT0051			310-450		10
	Size 400 **	5RNT0052			451-620		10
	Size 580	5RNT0053	1		621-800		10
	Size 980	5RNT0054	1		801-1200		10
	Size 1380	5RNT0055	2		1201-1600		10
	Size 1780	5RNT0056	2		1601-2000		10
	Size 2180	5RNT0057	4		2001-2400		10
10	Anti-Mishandling Device* (Select SRH, handing and axis)					1	
	LH 9mm	5RNT0247			621-2400		100
	RH 9mm	5RNT0248			621-2400		100
11	Horizontal Centre Lock (Select SRW)					1	
	Size 400	5RNT0022	1	801-1200			10
	Size 600	5RNT0023	1	1201-1400			10

*Contact VBH or visit www.vbhgb.com for profile related parts specification

PVCu	x
Aluminium	✓
Timber	✓

NT 'R' Royal - Concealed Hinge TBT System - Standard (9mm Eurogroove)

Pos.	Description	VBH Code	Lkg Points	SRW	SRH	Qty Req	Box Qty
12	Vertical Centre Lock (Select SRH - Note some sizes require multiple centre locks)					See SRH	
	Size 400	5RNT0022	1		801-1200	1	10
	Size 600	5RNT0023	1		1201-1400	1	10
	Size 400	5RNT0022	1		1401-1800	1	10
	Size 600 Connectable	5RNT0024	1		1401-2000	1	10
	Size 600	5RNT0023	1		1801-2000	1	10
	Size 400	5RNT0022	1		2001-2400	1	10
	Size 600 Connectable	5RNT0024	1		2001-2400	2	10
	Casement Striker*	5RNT - - - -				Count Lkg Pts	300
13	TBT Striker* (Select profile & handing)	5RNT - - - -				1	100
14	Connector Plate	5RNT0010				3	300
	Handle (See TBT Handle section)						
	Handle Screw M5 x 40 (Optional)	5HSR0074				2	500
	Fitting Jig*						
	Top & Bottom Hinge Jig	5RNT - - - -					

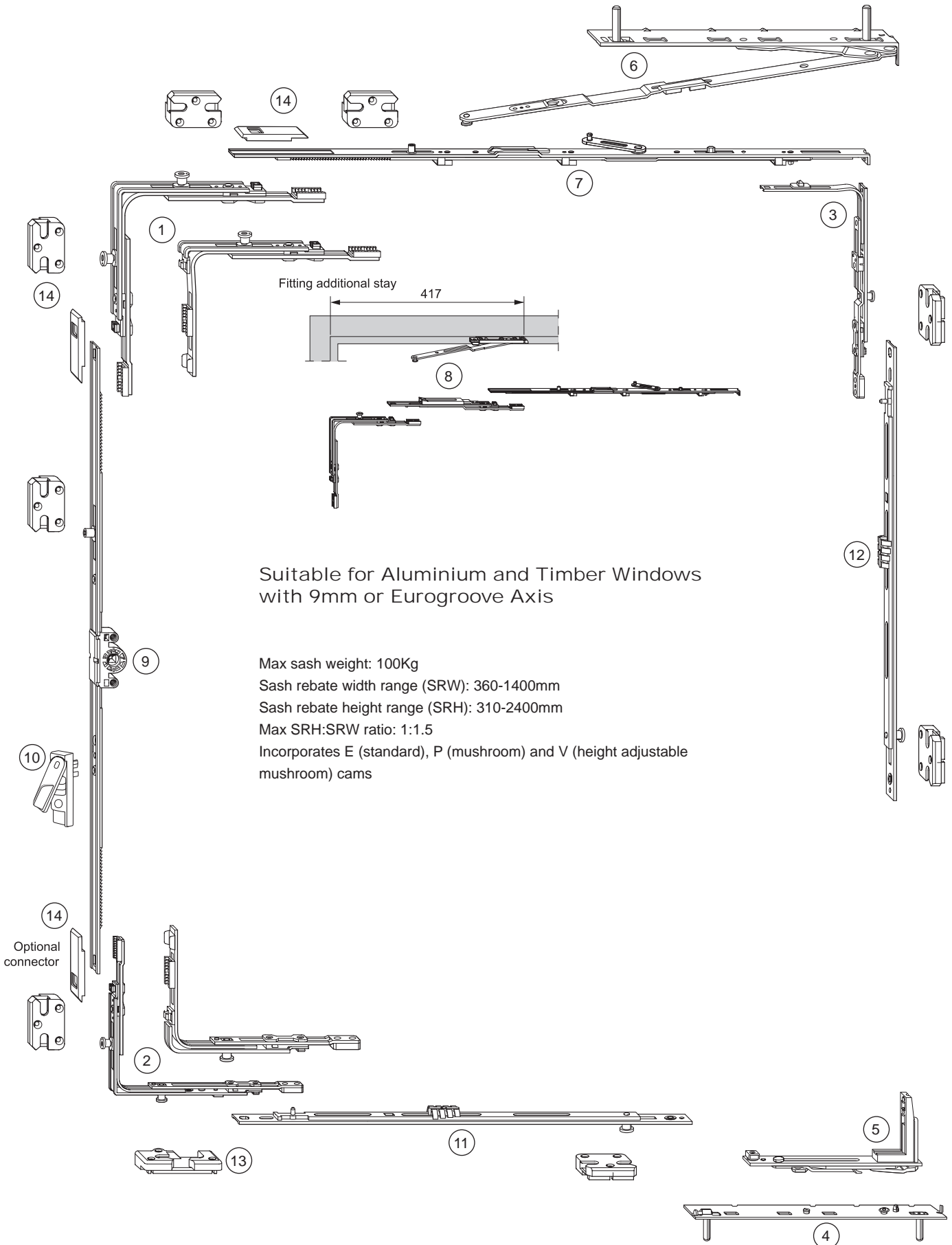


Tilt & Turn Roto

For use on:

PVCu	x
Aluminium	✓
Timber	✓

NT 'R' Royal - Concealed Hinge TBT System - Security (9mm Eurogroove)



PVCu	x
Aluminium	✓
Timber	✓

NT 'R' Royal - Concealed Hinge TBT System - Security (9mm Eurogroove)

Pos.	Description	VBH Code	Lkg Points	SRW	SRH	Qty Req	Box Qty
1	Top Corner Drive (Select SRH)					1	
	Corner Drive Short NT	5RNT0004	1P		310-450		10
	Corner Drive NT	5RNT0005	2V		451-2400		10
2	Bottom Corner Drive NT (Select SRH)					1	
	Corner Drive NT Short	5RNT0004			310-450		10
	Corner Drive NT	5RNT0005	1V		451-2400		10
3	Centre Lock/Stay Guide Connector					1	
	360-800	5RNT0218	1	360-800			10
	801-1400	5RNT0020	1	801-1400			10
4	Pivot Rest* (Select profile & handing)					1	
	LH	5RNT - - - -					50
	RH	5RNT - - - -					50
5	Corner Hinge (Select handing)					1	
	LH	5RNT0109					20
	RH	5RNT0110					20
6	Stay Arm* (Select SRW, profile & handing)					1	
	LH Size 250	5RNT - - - -		360-800			50
	RH Size 250	5RNT - - - -		360-800			50
	LH Size 450	5RNT - - - -		801-1400			30
	RH Size 450	5RNT - - - -		801-1400			30
7	Stay Guide (Select SRW)					1	
	Size 300	5RNT0221		360-410			10
	Size 490	5RNT0222		411-600			10
	Size 690	5RNT0223		601-800			10
	Size 890	5RNT0224	1E	801-1000			10
	Size 1090	5RNT0225	1E	1001-1400			10
8	Additional Stay (Select SRW)	5RNT0106		1201-1400			20
9	15mm BS Variable Handle Height Drive Gear (Select SRH) (Slim 8mm BS version also available - Please enquire)					1	
	Size 430 **	5RNT0051			310-450		10
	Size 400 **	5RNT0052			451-620		10
	Size 580	5RNT0053	1E		621-800		10
	Size 980	5RNT0054	1E		801-1200		10
	Size 1380	5RNT0055	2E		1201-1600		10
	Size 1780	5RNT0056	2E		1601-2000		10
	Size 2180	5RNT0057	4E		2001-2400		10
	10	Anti-Mishandling Device* (Select SRH, handing and axis)					1
LH 9mm		5RNT0247			621-2600		100
RH 9mm		5RNT0248			621-2600		100



For use on:	
PVCu	x
Aluminium	✓
Timber	✓

NT 'R' Royal - Concealed Hinge TBT System - Security (9mm Eurogroove)

Pos.	Description	VBH Code	Lkg Points	SRW	SRH	Qty Req	Box Qty
11	Horizontal Centre Lock (Select SRW - Note some sizes require multiple centre locks)					See SRW	
	Size 200	5RNT0031	1P	401-600		1	10
	Size 400	5RNT0032	1P	601-800		1	10
	Size 600	5RNT0033	1P	801-1000		1	10
	Size 200	5RNT0031	1P	1001-1200		1	10
	Size 600 Connectable	5RNT0034	1P	1001-1200		1	10
	Size 400	5RNT0032	1P	1201-1400		1	10
	Size 600 Connectable	5RNT0034	1P	1201-1400		1	10
12	Vertical Centre Lock (Select SRH - Note some sizes require multiple centre locks)					See SRH	
	Size 200	5RNT0031	1P		491-700	1	10
	Size 400	5RNT0032	1P		701-900	1	10
	Size 600	5RNT0033	1P		901-1100	1	10
	Size 200	5RNT0031	1P		1101-1300	1	10
	Size 600 Connectable	5RNT0034	1P		1101-1300	1	10
	Size 400	5RNT0032	1P		1301-1500	1	10
	Size 600 Connectable	5RNT0034	1P		1301-1700	1	10
	Size 600	5RNT0033	1P		1501-1700	1	10
	Size 200	5RNT0031	1P		1701-1900	1	10
	Size 600 Connectable	5RNT0034	1P		1701-2300	2	10
	Size 400	5RNT0032	1P		1901-2100	1	10
	Size 600	5RNT0033	1P		2101-2300	1	10
	Size 200	5RNT0031	1P		2301-2400	1	10
Size 600 Connectable	5RNT0034	1P		2301-2400	3	10	
	Casement Striker*	5RNT - - - -				Count E Lkg Pts	300
	Mushroom Security Striker*	5RNT - - - -				Count P/V Lkg Pts	100
13	TBT Striker* (Select profile & handing)	5RNT - - - -				1	100
14	Connector Plate	5RNT0010				3	300
	Handle (See TBT Handle section)						
	Handle Screw M5 x 40 (Optional)	5HSR0074				2	500
	Fitting Jig*						
	Top & Bottom Hinge Jig	5RNT - - - -					

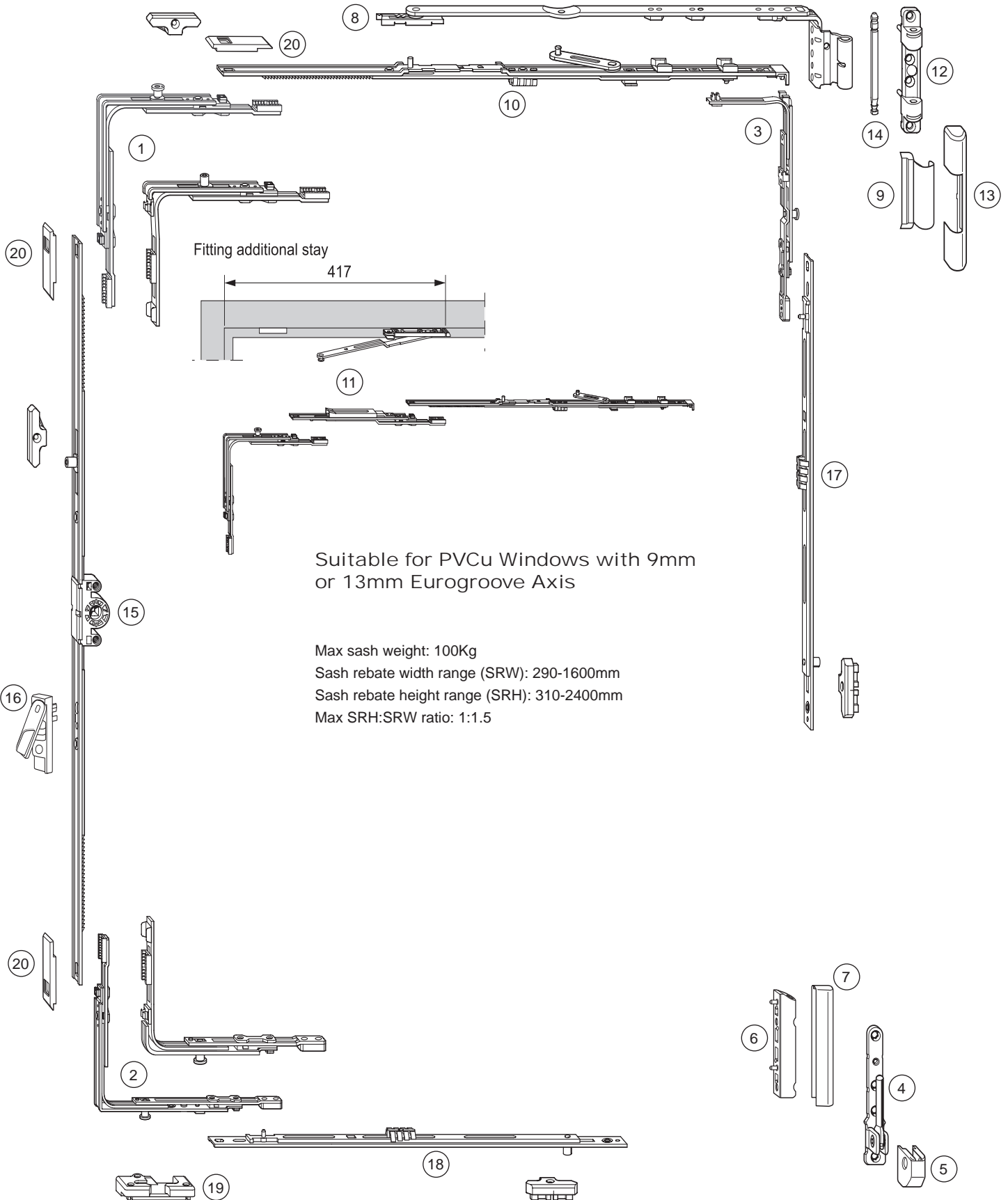
*Contact VBH or visit www.vbhgb.com for profile related parts specification

Tilt & Turn Roto

For use on:

PVCu	✓
Aluminium	x
Timber	x

NT 'K' - Surface Fit TBT System - Standard



For use on:	
PVCu	✓
Aluminium	x
Timber	x

NT 'K' - Surface Fit TBT System - Standard

Pos.	Description	VBH Code	Lkg Points	SRW	SRH	Qty Req	Box Qty
1	Top Corner Drive (Select SRH)					1	
	Corner Drive Short NT	5RNT0002	1		310-450		10
	Corner Drive NT	5RNT0003	1		451-2400		10
2	Bottom Corner Drive NT (Select SRH)					1	
	Corner Drive NT Short	5RNT0004			310-450		10
	Corner Drive NT	5RNT0003			451-2400		10
3	Centre Lock/Stay Guide Connector	5RNT0020	1			1	10
4	Pivot Rest	5RNT0495				1	250
5	Pivot Rest Cover (Select colour)					1	
	White	5RNT0496					100
	Brown	5RNT0497					100
6	Corner Hinge	5RNT0491				1	250
7	Corner Hinge Cover (Select colour)					1	
	White	5RNT0492					100
	Brown	5RNT0486					100
8	Stay Arm* (Select Eurogroove axis, SRW & handing)	9mm Axis	13mm Axis			1	
	LH Size 150	5RNT0461	5RNT0469		290-410		10
	RH Size 150	5RNT0462	5RNT0470		290-410		10
	LH Size 250	5RNT0463	5RNT0471		411-600		10
	RH Size 250	5RNT0464	5RNT0472		411-600		10
	LH Size 350	5RNT0465	5RNT0473		601-800		10
	RH Size 350	5RNT0466	5RNT0474		601-800		10
	LH Size 500	5RNT0467	5RNT0475		801-1600		10
	RH Size 500	5RNT0468	5RNT0476		801-1600		10
9	Stay Arm Cover (Select colour)					1	
	White	5RNT0477					100
	Brown	5RNT0478					100
10	Stay Guide (Select SRW)					1	
	Size 300	5RNT0451			290-410		10
	Size 490	5RNT0452			411-600		10
	Size 690	5RNT0453			601-800		10
	Size 890	5RNT0454	1		801-1000		10
	Size 1090	5RNT0455	1		1001-1200		10
	Size 1290	5RNT0456	1		1201-1600		10
11	Additional Stay (Select if SRW exceeds 1400mm)	5RNT0106			1401-1600	1	10
12	Stay Bearing	5RNT0481				1	200
13	Stay Bearing Cover (Select colour)					1	
	White	5RNT0483					100
	Brown	5RNT0484					100
14	Stay Bearing Pin	5RNT0482				1	100

PVCu	✓
Aluminium	x
Timber	x

NT 'K' - Surface Fit TBT System - Standard

Pos.	Description	VBH Code	Lkg Points	SRW	SRH	Qty Req	Box Qty
15	15mm BS Variable Handle Height Drive Gear (Select SRH) (Slim 8mm BS version also available - Please enquire)					1	
	Size 430 **	5RNT0051			310-450		10
	Size 400 **	5RNT0052			451-620		10
	Size 580	5RNT0053	1		621-800		10
	Size 980	5RNT0054	1		801-1200		10
	Size 1380	5RNT0055	2		1201-1600		10
	Size 1780	5RNT0056	2		1601-2000		10
	Size 2180	5RNT0057	4		2001-2400		10
16	Anti-Mishandling Device* (Select Eurogroove axis & handing)	9mm Axis	13mm Axis			1	
	LH	5RNT0247	5RNT0249		621-2400		100
	RH	5RNT0248	5RNT0250		621-2400		100
17	Vertical Centre Lock (Select SRH - Note some sizes require multiple centre locks)					See SRH	
	Size 400	5RNT0022	1		801-1200	1	10
	Size 600	5RNT0023	1		1201-1400	1	10
	Size 600 Connectable	5RNT0024	1		1401-2000	1	10
	Size 400	5RNT0022	1		1401-1800	1	10
	Size 600	5RNT0023	1		1801-2000	1	10
	Size 400	5RNT0022	1		2001-2400	1	10
	Size 600 Connectable	5RNT0024	1		2001-2400	2	10
18	Horizontal Centre Lock (Select SRW - Note some sizes require multiple centre locks)					See SRW	
	Size 400	5RNT0022	1	801-1200			10
	Size 600	5RNT0023	1	1201-1400			10
	Size 600 Connectable	5RNT0024	1	1401-1600			10
	Size 400	5RNT0022	1	1401-1600			10
	Casement Striker*	5RNT - - - -				Count Lkg Pts	300
19	TBT Striker* (Select profile & handing)	5RNT - - - -				1	100
20	Connector Plate	5RNT0010				3	300
	Handle (See TBT Handle section)						
	Handle Screw M5 x 40 (Optional)	5HSR0074				2	500
	Fitting Jigs						
	Stay Bearing/Pivot Rest Jig	5ROT5225					
	Corner Hinge Jig	5ROT5226					

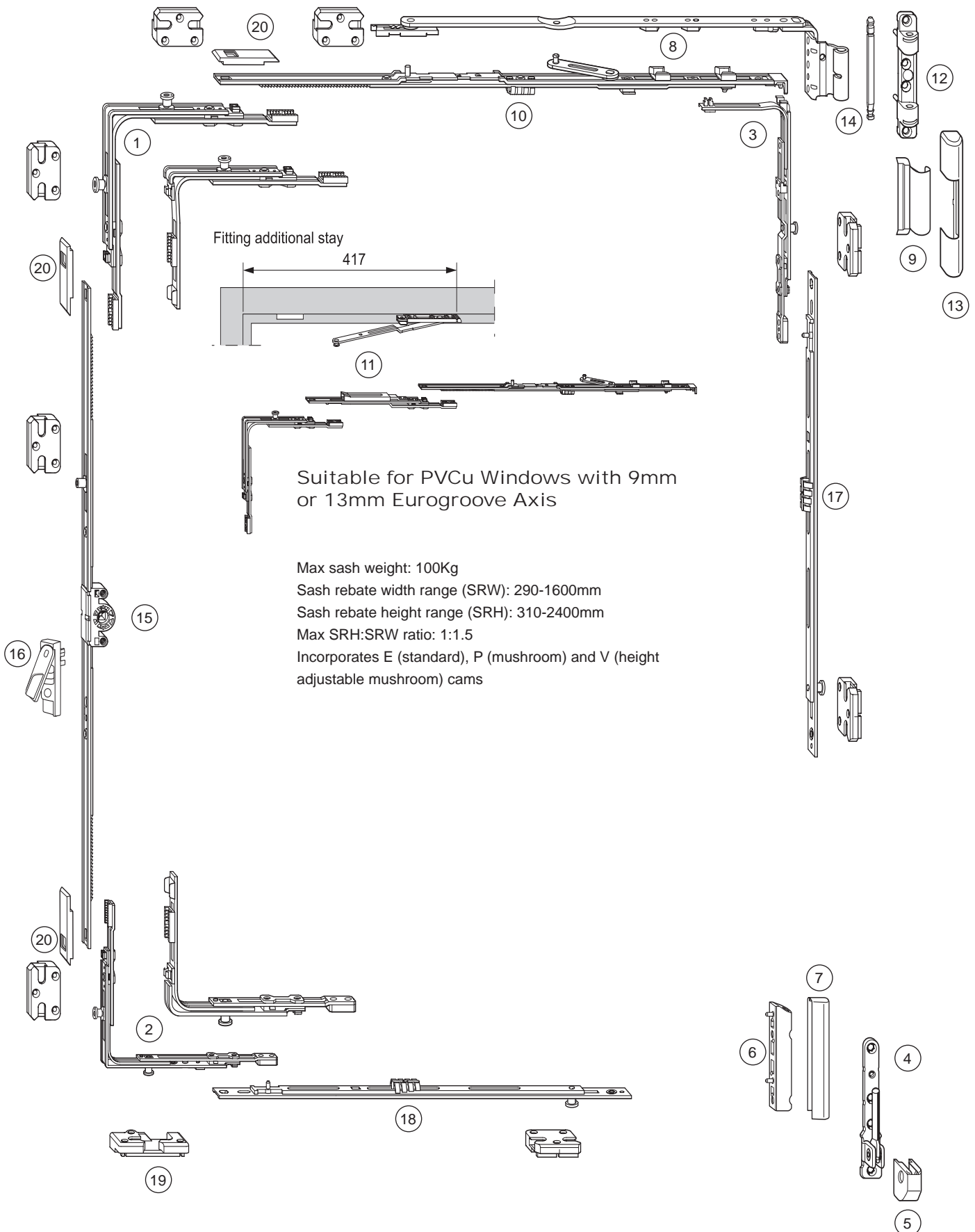
*Contact VBH or visit www.vbhgb.com for profile related parts specification
**It is not possible to fit an anti-mishandling device with this size



Tilt & Turn Roto

For use on:	
PVCu	✓
Aluminium	x
Timber	x

NT 'K' - Surface Fit TBT System - Security



For use on:	
PVCu	✓
Aluminium	x
Timber	x

NT 'K' - Surface Fit TBT System - Security

Pos.	Description	VBH Code	Lkg Points	SRW	SRH	Qty Req	Box Qty
1	Top Security Corner Drive (Select SRH)					1	
	Corner Drive Short NT	5RNT0004	1P		310-450		10
	Corner Drive NT	5RNT0005	2V		451-2400		10
2	Bottom Security Corner Drive NT (Select SRH)					1	
	Corner Drive NT Short	5RNT0004			310-450		10
	Corner Drive NT	5RNT0005	1V		451-2400		10
3	Centre Lock/Stay Guide Connector	5RNT0020	1P			1	10
4	Pivot Rest	5RNT0495				1	250
5	Pivot Rest Cover (Select colour)					1	
	White	5RNT0496					100
	Brown	5RNT0497					100
6	Corner Hinge	5RNT0491				1	250
7	Corner Hinge Cover (Select colour)					1	
	White	5RNT0492					100
	Brown	5RNT0486					100
8	Stay Arm* (Select Eurogroove axis, SRW & handing)	9mm Axis	13mm Axis			1	
	LH Size 150	5RNT0461	5RNT0469		290-410		10
	RH Size 150	5RNT0462	5RNT0470		290-410		10
	LH Size 250	5RNT0463	5RNT0471		411-600		10
	RH Size 250	5RNT0464	5RNT0472		411-600		10
	LH Size 350	5RNT0465	5RNT0473		601-800		10
	RH Size 350	5RNT0466	5RNT0474		601-800		10
	LH Size 500	5RNT0467	5RNT0475		801-1600		10
	RH Size 500	5RNT0468	5RNT0476		801-1600		10
9	Stay Arm Cover (Select colour)					1	
	White	5RNT0477					100
	Brown	5RNT0478					100
10	Stay Guide (Select SRW)					1	
	Size 300	5RNT0451			290-410		10
	Size 490	5RNT0452			411-600		10
	Size 690	5RNT0453			601-800		10
	Size 890	5RNT0454		1E	801-1000		10
	Size 1090	5RNT0455		1E	1001-1200		10
	Size 1290	5RNT0456		1E	1201-1600		10
11	Additional Stay (Select if SRW exceeds 1400mm)	5RNT0106			1401-1600	1	10
12	Stay Bearing	5RNT0481				1	200
13	Stay Bearing Cover (Select colour)					1	
	White	5RNT0483					100
	Brown	5RNT0484					100
14	Stay Bearing Pin	5RNT0482				1	100



For use on:	
PVCu	✓
Aluminium	x
Timber	x

NT 'K' - Surface Fit TBT System - Security

Pos.	Description	VBH Code	Lkg Points	SRW	SRH	Qty Req	Box Qty
15	15mm BS Variable Handle Height Drive Gear (Select SRH) (Slim 8mm BS version also available - Please enquire)					1	
	Size 430 **	5RNT0051			310-450		10
	Size 400 **	5RNT0052			451-620		10
	Size 580	5RNT0053	1		621-800		10
	Size 980	5RNT0054	1		801-1200		10
	Size 1380	5RNT0055	2		1201-1600		10
	Size 1780	5RNT0056	2		1601-2000		10
	Size 2180	5RNT0057	4		2001-2400		10
16	Anti-Mishandling Device* (Select Eurogroove axis & handing)	9mm Axis	13mm Axis			1	
	LH	5RNT0247	5RNT0249		621-2400		100
	RH	5RNT0248	5RNT0250		621-2400		100
17	Vertical Security Centre Lock (Select SRH - Note some sizes require multiple centre locks)					See SRH	
	Size 200	5RNT0031	1P		491-700	1	10
	Size 400	5RNT0032	1P		701-900	1	10
	Size 600	5RNT0033	1P		901-1100	1	10
	Size 200	5RNT0031	1P		1101-1300	1	10
	Size 600 Connectable	5RNT0034	1P		1101-1700	1	10
	Size 400	5RNT0032	1P		1301-1500	1	10
	Size 600	5RNT0033	1P		1501-1700	1	10
	Size 200	5RNT0031	1P		1701-1900	1	10
	Size 600 Connectable	5RNT0034	1P		1701-2300	2	10
	Size 400	5RNT0032	1P		1901-2100	1	10
	Size 600	5RNT0033	1P		2101-2300	1	10
	Size 200	5RNT0031	1P		2301-2400	1	10
	Size 600 Connectable	5RNT0034	1P		2301-2400	3	10
18	Horizontal Security Centre Lock (Select SRW - Note some sizes require multiple centre locks)					See SRW	
	Size 200	5RNT0031	1P	401-600		1	10
	Size 400	5RNT0032	1P	601-800		1	10
	Size 600	5RNT0033	1P	801-1000		1	10
	Size 200	5RNT0031	1P	1001-1200		1	10
	Size 600 Connectable	5RNT0034	1P	1001-1600		1	10
	Size 400	5RNT0032	1P	1201-1600		1	10
	Casement Striker*	5RNT - - - -				Count E Cams	300
	Mushroom Security Striker*	5RNT - - - -				Count P&V Cams	
19	TBT Striker* (Select profile & handing)	5RNT - - - -				1	100
20	Connector Plate	5RNT0010				3	300
	Handle (See TBT Handle section)						
	Handle Screw M5 x 40 (Optional)	5HSR0074				2	500
	Fitting Jigs						
	Stay Bearing/Pivot Rest Jig	5ROT5225					
	Corner Hinge Jig	5ROT5226					

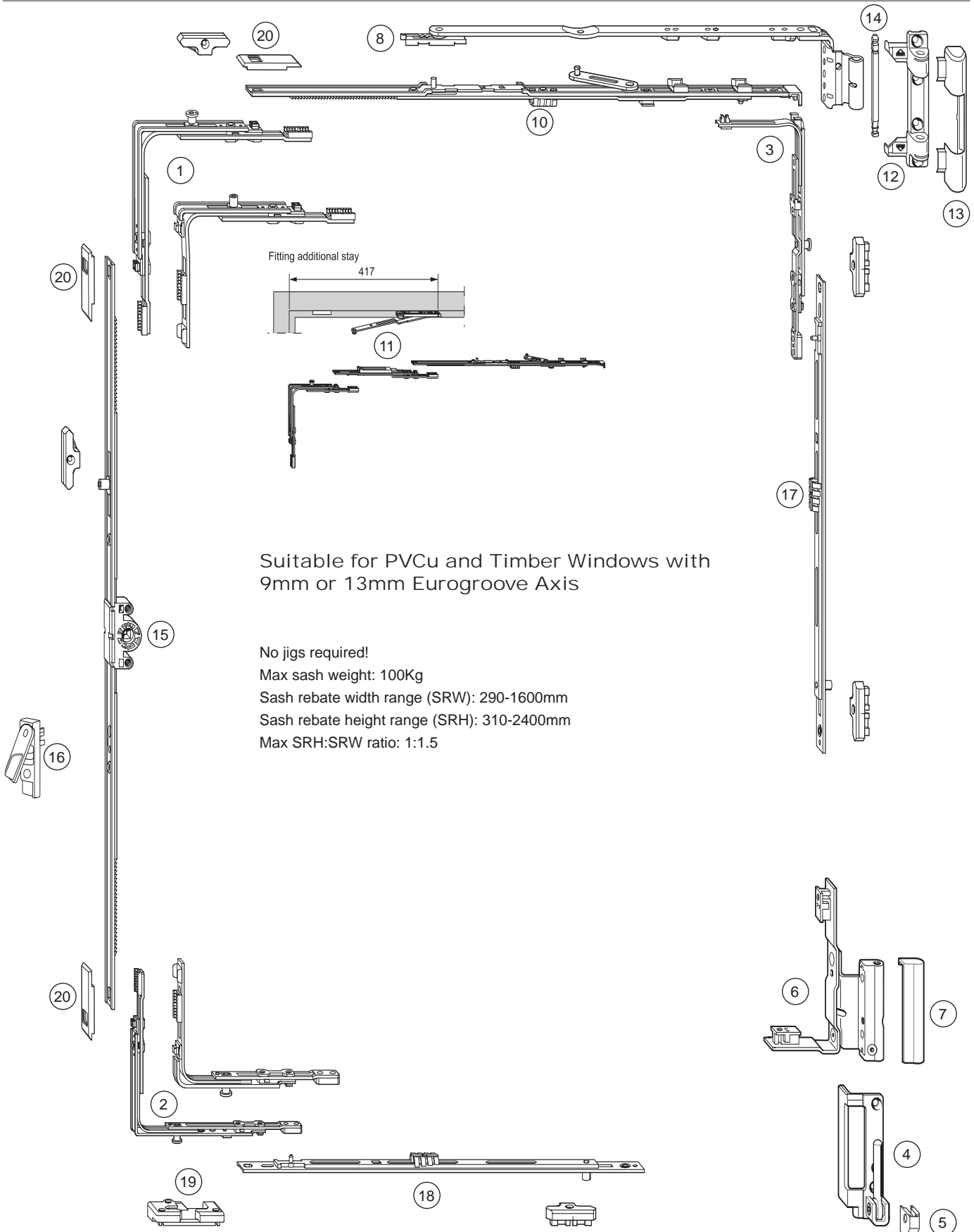
*Contact VBH or visit www.vbhgb.com for profile related parts specification
**It is not possible to fit an anti-mishandling device with this size

Tilt & Turn Roto

For use on:

PVCu	✓
Aluminium	x
Timber	✓

NT 'A' - Self-Jigging Surface Fit TBT System - Standard



For use on:	
PVCu	✓
Aluminium	x
Timber	✓

NT 'A' - Self-Jigging Surface Fit TBT System - Standard

Pos.	Description	VBH Code	Lkg Points	SRW	SRH	Qty Req	Box Qty
1	Top Corner Drive (Select SRH)					1	
	Corner Drive Short NT	5RNT0002	1		310-450		10
	Corner Drive NT	5RNT0003	1		451-2400		10
2	Bottom Corner Drive NT (Select SRH)					1	
	Corner Drive NT Short	5RNT0004			310-450		10
	Corner Drive NT	5RNT0003			451-2400		10
3	Centre Lock/Stay Guide Connector	5RNT0020	1			1	10
4	Pivot Rest (Select handing)					1	
	LH	5RNT0315					100
	RH	5RNT0316					100
5	Pivot Rest Cover (Select colour & handing)					1	
	LH White	5RNT0317					100
	RH White	5RNT0318					100
	LH Brown	5RNT0319					100
	RH Brown	5RNT0320					100
6	Corner Hinge (Select handing & axis)	9mm Axis	13mm Axis			1	
	LH 20	5RNT0627	5RNT0629				20
	RH 20	5RNT0628	5RNT0630				20
7	Corner Hinge Cover (Select colour & handing)					1	
	LH White	5RNT0621					100
	RH White	5RNT0622					100
	LH Brown	5RNT0623					100
	RH Brown	5RNT0624					100
8	Stay Arm (Select SRW, handing & axis)	9mm Axis	13mm Axis			1	
	LH Size 150	5RNT0461	5RNT0469	290-410			10
	RH Size 150	5RNT0462	5RNT0470	290-410			10
	LH Size 250	5RNT0463	5RNT0471	411-600			10
	RH Size 250	5RNT0464	5RNT0472	411-600			10
	LH Size 350	5RNT0465	5RNT0473	601-800			10
	RH Size 350	5RNT0466	5RNT0474	601-800			10
	LH Size 500	5RNT0467	5RNT0475	801-1600			10
	RH Size 500	5RNT0468	5RNT0476	801-1600			10
9	Stay Arm Cover (Select colour)					1	
	White	5RNT0477					100
	Brown	5RNT0478					100
10	Stay Guide (Select SRW)					1	
	Size 300	5RNT0451		290-410			10
	Size 490	5RNT0452		411-600			10
	Size 690	5RNT0453		601-800			10
	Size 890	5RNT0454	1	801-1000			10
	Size 1090	5RNT0455	1	1001-1200			10
	Size 1290	5RNT0456	1	1201-1600			10
11	Additional Stay (Select if SRW exceeds 1400mm)	5RNT0106		1401-1600		1	10

For use on:	
PVCu	✓
Aluminium	x
Timber	✓

NT 'A' - Self-Jigging Surface Fit TBT System - Standard

Pos.	Description	VBH Code	Lkg Points	SRW	SRH	Qty Req	Box Qty
12	Stay Bearing	5RNT0331				1	100
13	Stay Bearing Cover (Select colour)					1	
	White	5RNT0332					100
	Brown	5RNT0333					100
14	Stay Bearing Pin	5RNT0482				1	100
15	15mm BS Variable Handle Height Drive Gear (Select SRH) (Slim 8mm BS version also available - Please enquire)					1	
	Size 430 **	5RNT0051			310-450		10
	Size 400 **	5RNT0052			451-620		10
	Size 580	5RNT0053	1		621-800		10
	Size 980	5RNT0054	1		801-1200		10
	Size 1380	5RNT0055	2		1201-1600		10
	Size 1780	5RNT0056	2		1601-2000		10
	Size 2180	5RNT0057	4		2001-2400		10
16	Anti-Mishandling Device (Select handing & axis)					1	
	LH	5RNT0247	5RNT0249		621-2400		100
	RH	5RNT0248	5RNT0250		621-2400		100
17	Vertical Centre Lock (Select SRH)					See SRH	
	Size 400	5RNT0022	1		801-1200	1	10
	Size 600	5RNT0023	1		1201-1400	1	10
	Size 600 Connectable	5RNT0024	1		1401-2000	1	10
	Size 400	5RNT0022	1		1401-1800	1	10
	Size 600	5RNT0023	1		1801-2000	1	10
	Size 400	5RNT0022	1		2001-2400	1	10
	Size 600 Connectable	5RNT0024	1		2001-2400	2	10
18	Horizontal Centre Lock (Select SRW)					See SRW	
	Size 400	5RNT0022	1	801-1200		1	10
	Size 600	5RNT0023	1	1201-1400		1	10
	Size 600 Connectable	5RNT0024	1	1401-1600		1	10
	Size 400	5RNT0022	1	1401-1600		1	10
	Casement Striker*	5RNT - - - -				Count Lkg Pts	300
19	TBT Striker* (Select profile & handing)	5RNT - - - -				1	100
20	Connector Plate	5RNT0010				3	300
	Handle (See TBT Handle section)						
	Handle Screw M5 x 40 (Optional)	5HSR0074				2	500

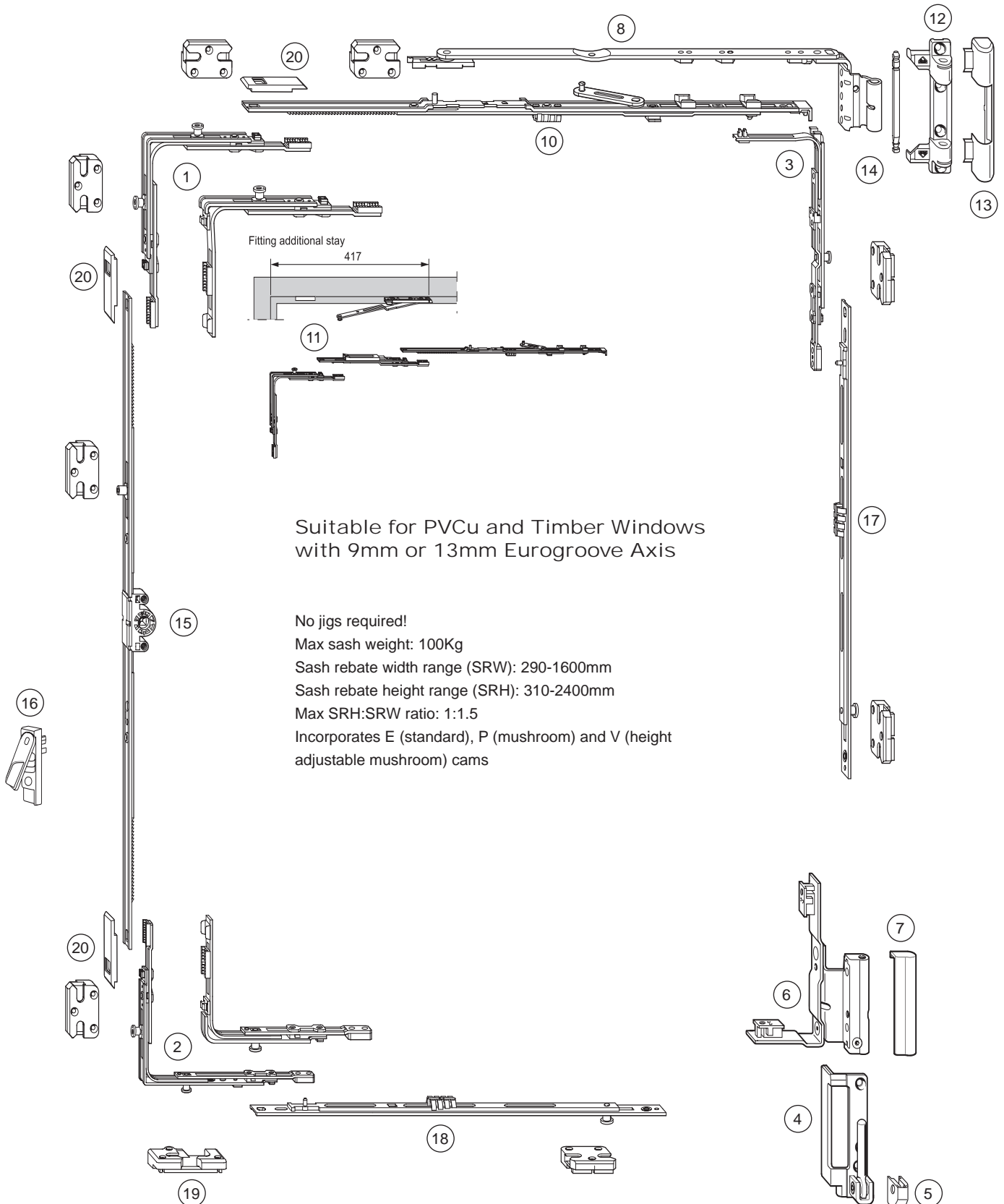
*Contact VBH or visit www.vbhgb.com for profile related parts specification
**It is not possible to fit an anti-mishandling device with this size

Tilt & Turn Roto

For use on:

PVCu	✓
Aluminium	x
Timber	✓

NT 'A' - Self-Jigging Surface Fit TBT System - Security



Suitable for PVCu and Timber Windows
with 9mm or 13mm Eurogroove Axis

No jigs required!

Max sash weight: 100Kg

Sash rebate width range (SRW): 290-1600mm

Sash rebate height range (SRH): 310-2400mm

Max SRH:SRW ratio: 1:1.5

Incorporates E (standard), P (mushroom) and V (height adjustable mushroom) cams

For use on:	
PVCu	✓
Aluminium	x
Timber	✓

NT 'A' - Self-Jigging Surface Fit TBT System - Security

Pos.	Description	VBH Code	Lkg Points	SRW	SRH	Qty Req	Box Qty
1	Top Security Corner Drive (Select SRH)					1	
	Corner Drive Short NT	5RNT0004	1P		310-450		10
	Corner Drive NT	5RNT0005	2V		451-2400		10
2	Bottom Security Corner Drive NT (Select SRH)					1	
	Corner Drive NT Short	5RNT0004			310-450		10
	Corner Drive NT	5RNT0005	1V		451-2400		10
3	Centre Lock/Stay Guide Connector	5RNT0020	1P			1	10
4	Pivot Rest (Select handing)					1	
	LH	5RNT0315					100
	RH	5RNT0316					100
5	Pivot Rest Cover (Select colour & handing)					1	
	LH White	5RNT0317					100
	RH White	5RNT0318					100
	LH Brown	5RNT0319					100
	RH Brown	5RNT0320					100
6	Corner Hinge (Select handing and axis)	9mm Axis	13mm Axis			1	
	LH	5RNT0627	5RNT0629				20
	RH	5RNT0628	5RNT0630				20
7	Corner Hinge Cover (Select colour & handing)					1	
	LH White	5RNT0621					100
	RH White	5RNT0622					100
	LH Brown	5RNT0623					100
	RH Brown	5RNT0624					100
8	Stay Arm (Select SRW, handing & axis)	9mm Axis	13mm Axis			1	
	LH Size 150	5RNT0461	5RNT0469		290-410		10
	RH Size 150	5RNT0462	5RNT0470		290-410		10
	LH Size 250	5RNT0463	5RNT0471		411-600		10
	RH Size 250	5RNT0464	5RNT0472		411-600		10
	LH Size 350	5RNT0465	5RNT0473		601-800		10
	RH Size 350	5RNT0466	5RNT0474		601-800		10
	LH Size 500	5RNT0467	5RNT0475		801-1600		10
	RH Size 500	5RNT0468	5RNT0476		801-1600		10
9	Stay Arm Cover (Select colour)					1	
	White	5RNT0477					100
	Brown	5RNT0478					100
10	Stay Guide (Select SRW)					1	
	Size 300	5RNT0451			290-410		10
	Size 490	5RNT0452			411-600		10
	Size 690	5RNT0453			601-800		10
	Size 890	5RNT0454	1E		801-1000		10
	Size 1090	5RNT0455	1E		1001-1200		10
	Size 1290	5RNT0456	1E		1201-1600		10
11	Additional Stay (Select if SRW exceeds 1400mm)	5RNT0106			1401-1600	1	10

For use on:	
PVCu	✓
Aluminium	x
Timber	✓

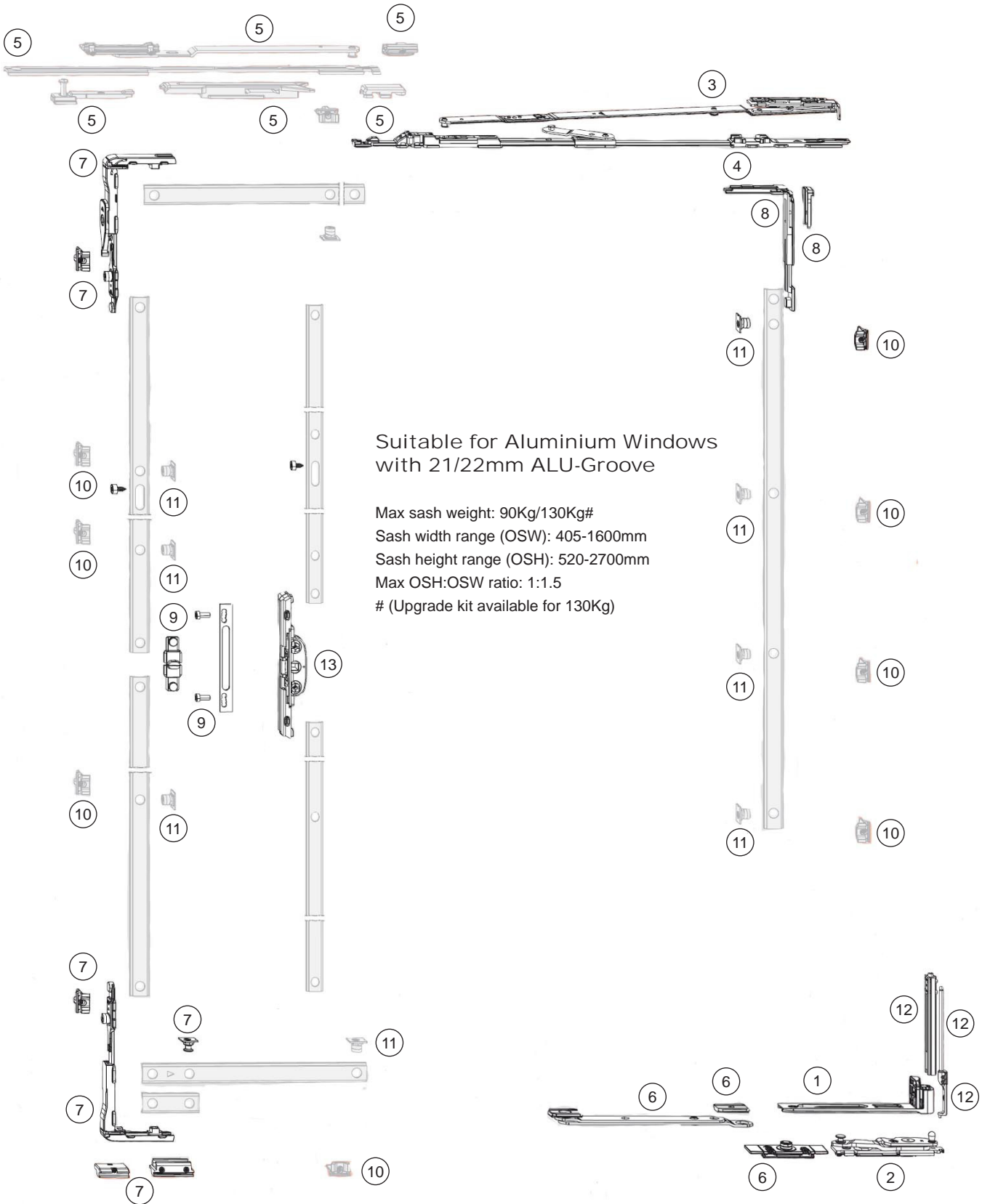
NT 'A' - Self-Jigging Surface Fit TBT System - Security

Pos.	Description	VBH Code	Lkg Points	SRW	SRH	Qty Req	Box Qty
12	Stay Bearing	5RNT0331				1	100
13	Stay Bearing Cover (Select colour)					1	
	White	5RNT0332					100
	Brown	5RNT0333					100
14	Stay Bearing Pin	5RNT0482				1	100
15	15mm BS Variable Handle Height Drive Gear (Select SRH) (Slim 8mm BS version also available - Please enquire)					1	
	Size 430 **	5RNT0051			310-450		10
	Size 400 **	5RNT0052			451-620		10
	Size 580	5RNT0053	1E		621-800		10
	Size 980	5RNT0054	1E		801-1200		10
	Size 1380	5RNT0055	2E		1201-1600		10
	Size 1780	5RNT0056	2E		1601-2000		10
	Size 2180	5RNT0057	4E		2001-2400		10
16	Anti-Mishandling Device (Select handing & axis)	9mm Axis	13mm Axis			1	
	LH	5RNT0247	5RNT0249		621-2400		100
	RH	5RNT0248	5RNT0250		621-2400		100
17	Vertical Security Centre Lock (Select SRH - Note some sizes require multiple centre locks)					See SRH	
	Size 200	5RNT0031	1P		491-700	1	10
	Size 400	5RNT0032	1P		701-900	1	10
	Size 600	5RNT0033	1P		901-1100	1	10
	Size 200	5RNT0031	1P		1101-1300	1	10
	Size 600 Connectable	5RNT0034	1P		1101-1700	1	10
	Size 400	5RNT0032	1P		1301-1500	1	10
	Size 600	5RNT0033	1P		1501-1700	1	10
	Size 200	5RNT0031	1P		1701-1900	1	10
	Size 600 Connectable	5RNT0034	1P		1701-2300	2	10
	Size 400	5RNT0032	1P		1901-2100	1	10
	Size 600	5RNT0033	1P		2101-2300	1	10
	Size 200	5RNT0031	1P		2301-2400	1	10
	Size 600 Connectable	5RNT0034	1P		2301-2400	3	10
18	Horizontal Security Centre Lock (Select SRW - Note some sizes require multiple centre locks)					See SRW	
	Size 200	5RNT0031	1P	401-600		1	10
	Size 400	5RNT0032	1P	601-800		1	10
	Size 600	5RNT0033	1P	801-1000		1	10
	Size 200	5RNT0031	1P	1001-1200		1	10
	Size 600 Connectable	5RNT0034	1P	1001-1600		1	10
	Size 400	5RNT0032	1P	1201-1600		1	10
	Casement Striker*	5RNT - - - -				Count E Cams	300
	Mushroom Security Striker*	5RNT - - - -				Count P&V Cams	100
19	TBT Striker* (Select profile & handing)	5RNT - - - -				1	100
20	Connector Plate	5RNT0010				3	300
	Handle (See TBT Handle section)						
	Handle Screw M5 x 40 (Optional)	5HSR0074				2	500

*Profile related item. Visit www.vbhgb.com or contact VBH for specification to suit your system
**It is not possible to fit an anti-mishandling device with this size

For use on:	
PVCu	x
Aluminium	✓
Timber	x

Roto AL Designo - Clamp On Concealed Hinge TBT System - Standard



Suitable for Aluminium Windows
with 21/22mm ALU-Groove

Max sash weight: 90Kg/130Kg#
 Sash width range (OSW): 405-1600mm
 Sash height range (OSH): 520-2700mm
 Max OSH:OSW ratio: 1:1.5
 # (Upgrade kit available for 130Kg)

Grey components (optional) are not included in the basic set

For use on:	
PVCu	x
Aluminium	✓
Timber	x

Roto AL Designo Clamp On Concealed TBT System - Standard

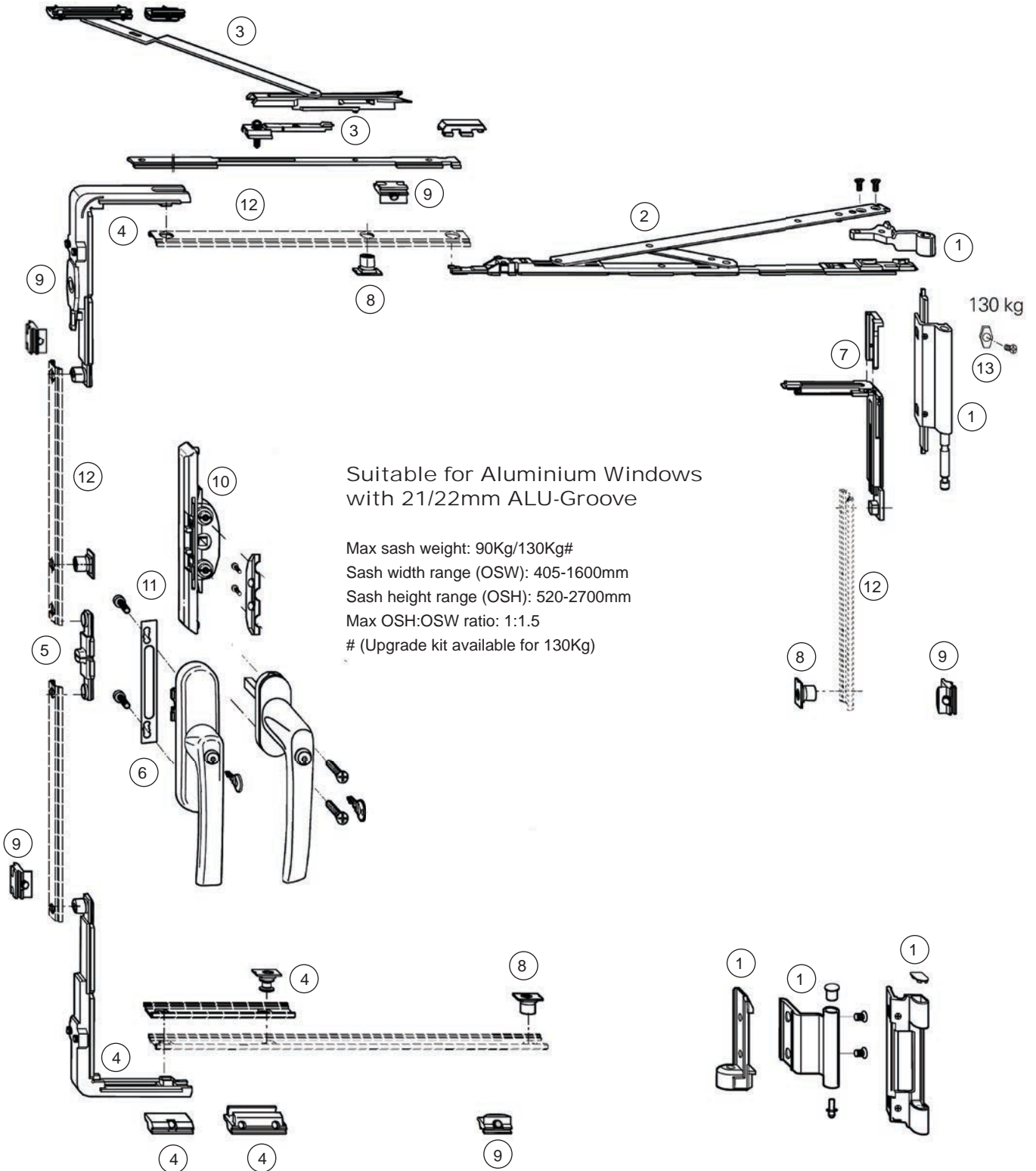
Pos.	Description	VBH Code	OSW	OSH	Qty Req	Box Qty
1	Bottom Corner Hinge (Select handing)				1	
	Corner Hinge LH	5RAV0306				10
	Corner Hinge RH	5RAV0307				10
2	Pivot Rest (Select handing)				1	
	Pivot Rest LH	5RAV0091				10
	Pivot Rest RH	5RAV0092				10
3	Sash Stay (Select OSW and handing)				1	
	LH Size 500	5RAV0093	500-735			10
	RH Size 500	5RAV0094	500-735			10
	LH Size 735	5RAV0095	736-1600			10
	RH Size 735	5RAV0096	736-1600			10
4	Scissor Stay Guide (Select OSW)				1	
	Size 500	5RAV0300	500-735			10
	Size 735	5RAV0303	736-1600			10
5	Additional Stay (Select OSW)	5RAV0211	1301-1600		1	10
6	Turn Restrictor Set (Select OSW)	5RAV0254	1201-1600		1	10
7	TF Locking Components	5RAV0203			1	10
8	Top Corner CL Set	5RAV0206			1	10
9	Espagnolettes and Connectors	5RAV0208			1	10
10	Striker	5RAV0213	1301-1600		2	10
		5RAV0213		1301 - 1800	2	10
		5RAV0213		1801 - 2400	4	100
		5RAV0213	1301-1600	2401 - 2700	6	10
		5RAV0213	1301-1600	1301-1800	2	100
11	Insertable Cam (Select OSW)	5RAV0012	1301-1600		2	100
		5RAV0012	1301-1600	1301-1800	2	100
		5RAV0012		1301-2400	4	100
		5RAV0012		2401 -2700	6	100
		5RAV0012	1301-1600	1301-1800	2	100
12	Load Transfer Device. Must be fitted if sash weight exceeds 100KG! # See size limitations below				1	
	LH	5RAV0314				1
	RH	5RAV0315				1
13	Flush Encased Gearbox W/O Mishandling Device (Option Instead of 5RAV0208 & Geared Handle)	5RAV0050				1

Tilt & Turn Roto

For use on:

PVCu	x
Aluminium	✓
Timber	x

Roto AL - Clamp On Hinge TBT System - Standard



Tilt & Turn Roto

For use on:

PVCu	x
Aluminium	✓
Timber	x

Roto AL - Clamp On Hinge TBT System - Standard (For Tongue Drive Handles)

Pos.	Description	VBH Code	OSW	OSH	Qty Req	Box Qty
1	Hinge Kit (Select colour)		405-1600	520-2400	1	
	Silver	5RAV0201				10
	White	5RAV0202				10
2	Sash Stay (Select OSW)				1	
	400	5RAV0204	405-600			10
	600	5RAV0205	601-1600			10
3	Additional Stay (Select OSW)	5RAV0211	1301-1600		1	10
TBT Locking Set						
4	Accessory Bag	5RAV0203			1	10
5	T Connector*	5RAV0008			1	10
6	Handle Support*	5RAV0009			1	10
7	Corner Drive CL Set (Select OSH)	5RAV0206		1201-2700	1	10
8	Insertable Cam (Select OSW & OSH)	5RAV0012	1301-1600		2	100
		5RAV0012		1801-2700	2	100
9	Striker Plate	5RAV0213	1301-1600		2	100
		5RAV0213		1801-2700	2	100
Optional Spindle Driven Gearbox*						
10	Flush Encased Gearbox	5RAV0050				1
12	Connecting Rod	5RAV0019				6M
13	130KG Upgrade Kit	5RAV0207			1 (Optional)	1

*Items 5 and 6 are not required when using a spindle driven gearbox

Spindle Drive Gearboxes

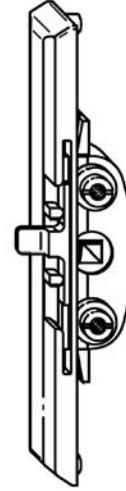
For use on:

PVCu	x
Aluminium	✓
Timber	x

Roto - Flush Encased Gearbox AluVision

43mm screw centres - compatible with all 7mm spindle drive handles
(Spindles must be shortened to 24mm)
Integrated mis-handling device
Allows enhanced handle design and colour options

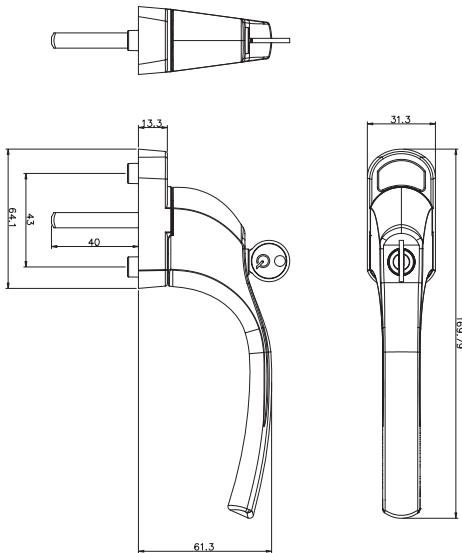
Description	VBH Code	Box Qty
Spindle Drive Gearbox	5ROT5013	10



Tilt & Turn Handles greenteQ

For use on:	
PVCu	✓
Aluminium	✓
Timber	✓

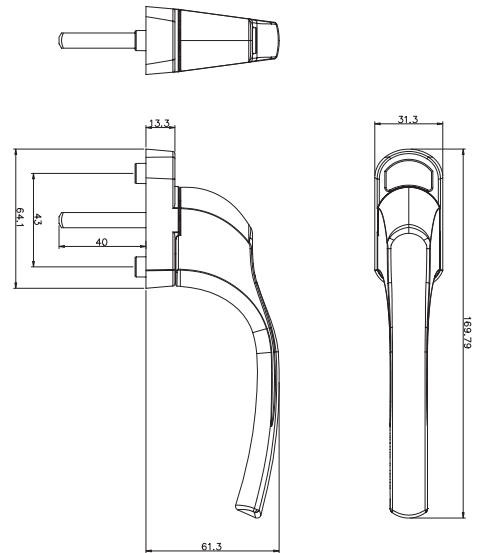
Alpha TBT - Locking



40mm spindle length
Part of the greenteQ suite
TBT function for child safety
Locates in 4 positions at 90° intervals
Supplied with cover caps, fixings and key

Finish	VBH Code	Box Qty
White	2QTT0061	10/60
Black	2QTT0066	10/60
PVD Gold	2QTT0062	10/60
Polished Chrome	2QTT0063	10/60
Satin Chrome	2QTT0065	10/60
Anthracite Grey	2QTT0067	10/60
Smokey Chrome	2QTT0068	10/60
Enduro Steel	2QTT0069	10/60

Alpha TBT - Non-Locking



40mm spindle length
Non-locking handle for basic tilt and turn windows
Part of the greenteQ suite
Locates in 4 positions at 90° intervals
Supplied with cover caps and fixings

Finish	VBH Code	Box Qty
White	2QTT0261	10/60
Black	2QTT0266	10/60
PVD Gold	2QTT0262	10/60
Polished Chrome	2QTT0263	10/60
Satin Chrome	2QTT0265	10/60
Anthracite Grey	2QTT0267	10/60
Smokey Chrome	2QTT0268	10/60
Enduro Steel	2QTT0269	10/60

Accessories

Description	White	Black	Green	Box Qty
Cover Cap	2QTT0101	2QTT0102	2QTT0103	1

Description	VBH Code	Box Qty
Spare Key	2QTT0106	1

Tilt & Turn Handles Hoppe

For use on:	
PVCu	✓
Aluminium	✓
Timber	✓

Atlanta - Locking

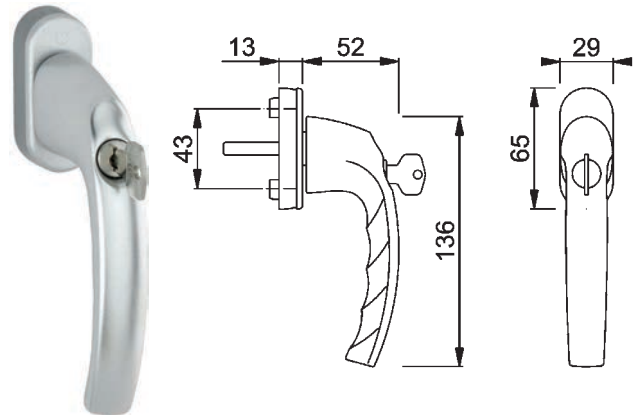
Key locking handle allows free movement to 90° tilt position

Locates in 4 positions at 90° intervals

Turn position accessible only when key is turned

If lever is rotated through 180° prior to fitting, handle reverts to normal locking function (locked in closed position)

Spindle Size	White	Gold F3	Silver F1	Brassed	Box Qty
32mm	2HOP0683	2HOP0681	2HOP0680	2HOP0686	40
38mm	2HOP0663	2HOP0661	2HOP0660	2HOP0666	40
Spindle Size	Polished Gold	Black	Polished Chrome	Box Qty	
32mm	2HOP0684	2HOP0682	2HOP0685	40	
38mm	2HOP0664	2HOP0662	2HOP0665	40	
44mm	#	2HOP0656	#	40	



Accessories

Description	VBH Code	Box Qty
Spare Key	2HOP0434	1

Tokyo - Locking

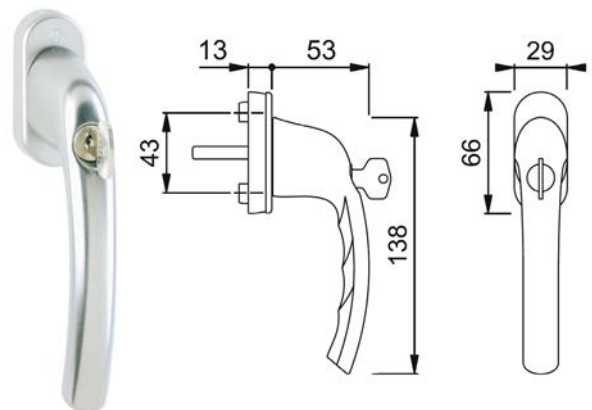
Key locking handle allows free movement to 90° tilt position

Locates in 4 positions at 90° intervals

Turn position accessible only when key is turned

If lever is rotated through 180° prior to fitting, handle reverts to normal locking function (locked in closed position)

Spindle Size	White	Gold F3	Silver F1	Brassed	Polished Chrome	Box Qty
32mm	2HOP0852	2HOP0851	2HOP0850	2HOP0859	2HOP0860	40
38mm	2HOP0855	2HOP0854	2HOP0853	#	#	40
44mm	2HOP0858	2HOP0857	2HOP0856	#	#	40



Accessories

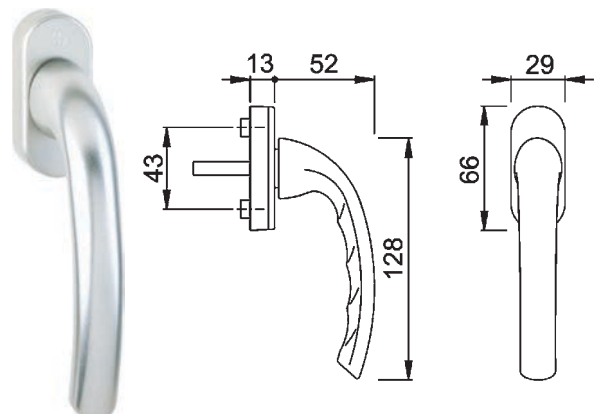
Description	VBH Code	Box Qty
Spare Key	2HOP0434	1

Tokyo - Non-Locking

Non locking handle for basic tilt and turn windows

Locates in 4 positions at 90° intervals

Spindle Size	White	Gold F3	Silver F1	Box Qty
32mm	2HOP0826	2HOP0825	2HOP0824	100
38mm	2HOP0829	2HOP0828	#	100
44mm	2HOP0822	2HOP0821	2HOP0820	100



All locking handles supplied with key
This is not a stock item. MAY be able to obtain it on a special order basis. Please ask.

Tilt & Turn Handles

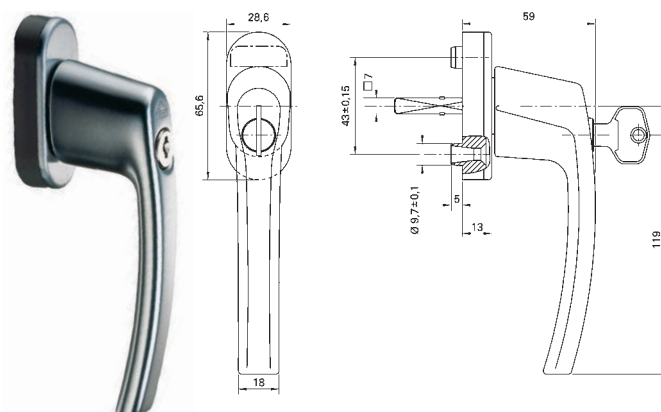
Roto

For use on:	
PVCu	✓
Aluminium	✓
Timber	✓

Rotoline - Locking with TBT function

Key locking handle allows free movement to 90° tilt position
Turn position accessible only when key is turned

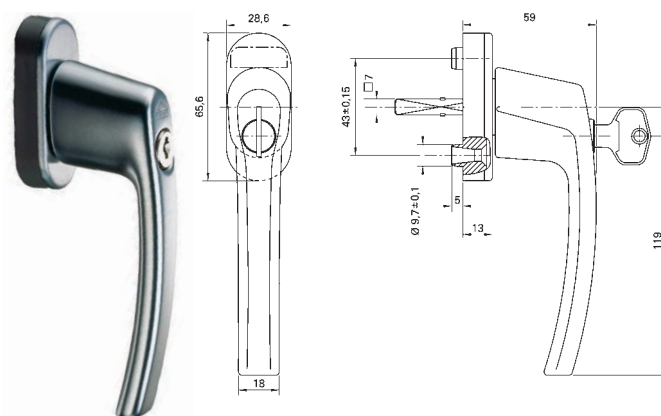
Spindle Size	White	Gold F3	Silver F1	Box Qty
32mm	5ROT5079	5ROT5077	5ROT5075	20



Rotoline - True Locking

Locks in vertical positions only
Handle is either fully locked or unlocked (no TBT function)

Spindle Size	White	Satin Chrome	Box Qty
32mm	5ROT5064	5ROT5068	20
35mm	5ROT5065	#	20



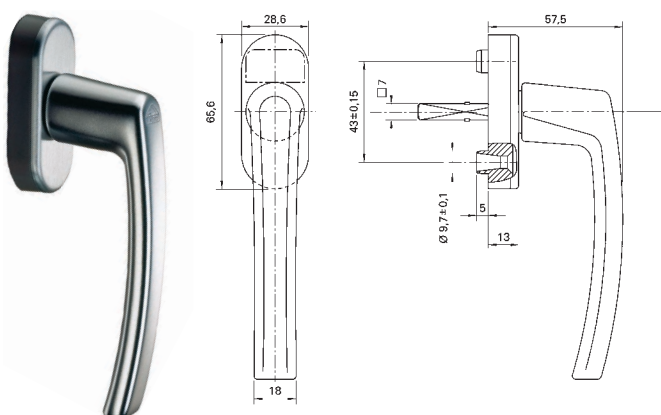
Spares

Description	VBH Code	Box Qty
Spare Key for TBT handle (5ROT507*)	5ROT5089	1
Spare Key for Locking handle (5ROT506*)	5ROT5090	1

Rotoline - Non-Locking

Non locking handle for basic tilt and turn windows
Locates in 4 positions at 90° intervals.

Spindle Size	White	Gold F3	Silver F1	Box Qty
32mm	#	#	5ROT5073	20
35mm	5ROT5062	#	#	20
38mm	#	5ROT5063	#	20



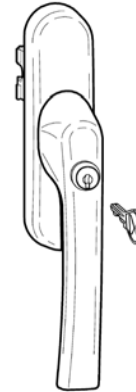
All locking handles supplied with key
This is not a stock item. MAY be able to obtain it on a special order basis. Please ask.

Tilt & Turn Handles Fork Drive

For use on:	
PVCu	x
Aluminium	✓
Timber	x

Roto Rotoline

Description	Silver	White	Black	Box Qty
Locking Handle	5ROT5014	5ROT5015	5ROT5032	10



Attn VBH:

Please supply/quote for * TBT hardware to suit the below specification

*Delete as appropriate



Tilt & Turn Hardware Set

Hardware Manufacturer	Roto					
Hardware System						
Hinge Type	Surface Fit		Concealed			
Security Level Required	Standard		Security			
Your Profile System (Include profile numbers if known)	Name		Sash No.		Frame No.	
Cover Cap Colour* (If applicable)	White		Brown			
Sash Rebate Width*						
Sash Rebate Height*						
Handing (viewed from inside)*	Left		Right			
Do You Require a Handle?						
Yes (insert Item Code)**			No			

***If you are ordering more than one set please indicate any additional window specifications in the box below** (including sizes, handing, colour & handle option):

**If you require a handle please select from the options on pages 39 - 42 and indicate relevant item code in box

Company Name		Acc Number	
Contact Name		Order No	
Email Address		Fax No	
Sign		Date:	

Fax to:	Gillingham	01634 263504	East Kilbride	01355 239985	Swansea	01792 798902
---------	------------	--------------	---------------	--------------	---------	--------------

Did you know?

VBH stands for Vereinigter Baubeschlag Handel, meaning United Hardware Distributors. The company was formed when rivals Gottfried Schill KG and Schippert & Stetter KG merged in 1975





TSH 30

Expanding possibilities for modern windows.



“You can't have it that tall. There's no suitable hardware.”

Have you heard that one before?

You're not alone. Demand for larger, heavier windows is increasing.

You need to specify larger glazed areas. Triple glazing may be required.

The windows you require might be contemporary in style, or heritage replacements. Either way, you just want to stipulate height and width, without technical restrictions.

That's why we've introduced a brand new hardware system for casement windows.

It's called TSH 30. It blends the tried-and-tested with the brand new.

We've designed a new gearbox, a range of frame components and an ingenious new ventilation system.

It's tilt and turn style locking, on an outward-opening window.

The possibilities are enormous.

Now you can have locking on three sides of a sash. That's not all.

You can utilise our secure corner drives, specify our original Twincam extensions, and even add hooks.

Low handle heights are easily achieved.

Whichever specification you choose, your windows will have the security, durability and smoothness provided by the finest hardware in the world.

Hardware that's been used across the globe. For hurricane specifications in Florida, typhoon rated buildings in Korea and PassivHaus projects in Berlin.

If you have the hinges to hold it (like the Roto Designo hinges), Roto TSH 30 can lock it.

Roto Security Label:



Useful Contact Information



The following information may be useful to you when seeking to contact the correct person within VBH to deal with your query.

External Team

Area Sales Managers

		Tel:	Email:
Gareth Dix	Area Sales Manager	07384 833381	gareth.dix@vbhgb.com
Tyler Shutts	Area Sales Manager	07740 401347	tyler.shutts@vbhgb.com
Earl Tate	Area Sales Manager	07740 401348	earl.tate@vbhgb.com
Colin Thomas	Area Sales Manager	07702 831656	colin.thomas@vbhgb.com

Management Team

Dan Powell	Head of Sales - England & Wales	07740 401349	dan.powell@vbhgb.com
Adrian Gale	Sales Manager - England & Wales	07740 401342	adrian.gale@vbhgb.com
Allan Price	General Manager - Scotland & Northern Ireland	07740 401345	allan.price@vbhgb.com
Jan Holland	National Key Account Manager	07740 401350	jan.holland@vbhgb.com

Internal Team

Customer Service

		Tel:	Email:
Sarah Talbot	Internal Sales Manager	01634 263300	sarah.talbot@vbhgb.com
Louise Eagle	Customer Service Team Leader - Gillingham	01634 263300	louise.eagle@vbhgb.com
Tamara Bridgland	Customer Service Coordinator - Gillingham	01634 263300	tamara.bridgland@vbhgb.com
Karen Campbell	Customer Service Coordinator - Gillingham	01634 263300	karen.campbell@vbhgb.com
Lesley Mills	Customer Service Coordinator - Gillingham	01634 263300	lesley.mills@vbhgb.com
Pamela Paterson	Customer Service Coordinator - East Kilbride	01355 263326	pamela.paterson@vbhgb.com
Dave Prout	Operations Manager - Swansea	01792 794566	dave.prout@vbhgb.com
Phil Thomas	Customer Service Coordinator - Swansea	01792 794566	philip.thomas@vbhgb.com
Steve Thomas	Customer Service Coordinator - Swansea	01792 794566	steve.thomas@vbhgb.com

Credit Control/Accounts Contact

Julie Jenkins	Credit Controller	01634 265377	julie.jenkins@vbhgb.com
---------------	-------------------	--------------	-------------------------

Technical Department

Melvin Hutton	Technical Manager	01634 263300	melvin.hutton@vbhgb.com
Paul Barthrop	Technical Advisor	01634 263300	paul.barthrop@vbhgb.com
Colin Russell	Technical Advisor	01634 263300	colin.russell@vbhgb.com

Marketing Department

Gary Gleeson	Marketing Manager	01634 263300	gary.gleeson@vbhgb.com
Hayley Martin	Marketing Assistant	01634 263300	hayley.martin@vbhgb.com

General Contact Details

VBH Gillingham	Tel: 01634 263300
VBH East Kilbride	Tel: 01355 263326
VBH Swansea	Tel: 01792 794566
General Email (all sites)	sales@vbhgb.com
VBH Twitter	twitter.com/vbhgb
greenteQ Twitter	twitter.com/VBHgreenteQ
Facebook	VBHGBLTD
Instagram	vbhgbLtd
LinkedIn	VBH (GB)

Websites

www.vbhgb.com	General Website / Downloads, News etc
www.vbhgb24.com	VBH24 Online Shop
www.qsecure.co.uk	Q-secure Consumer Security Guarantee
www.greenteQ.info	greenteQ website (Germany)
www.vbh-holding.de	VBH Holding GmbH



Do you use VBH24 to buy from VBH online?

If you don't you're missing out on a host of benefits including:

- Free delivery on orders over £100 value*
- Live stock availability
- Current price checks
- Product configurator for Bi-Folds, Tilt & Turns etc
- Order tracking facility
- First to be informed of special offers
- Ordering function

All this is available to you 24/7.

Ask your Area Sales Manager to enrol you now or enter your details at www.vbhgb24.com



*Correct at time of printing

VBH Great Britain

Head Office

England (except SW)

VBH House
Bailey Drive
Gillingham Business Park
Gillingham
Kent
ME8 0WG

Tel: +44 (0)1634 263263 (General)
Tel: +44 (0)1634 263300 (Sales)
Email: sales@vbhgb.com

Scotland & Northern Ireland

Unit 13 Hawbank Road
College Milton
East Kilbride
Lanarkshire
G74 5EG

Tel: +44 (0)1355 263326
Fax: +44 (0)1355 239986
Email: sales@vbhgb.com

Wales & South West England

Unit K28
Ashmount Business Park
Upper Fforest Way
Swansea
SA6 8QR

Tel: +44 (0)1792 794566
Fax: +44 (0)1792 798902
Email: sales@vbhgb.com

www.vbhgb.com (main website)
www.qsecure.co.uk (Q-secure website)
www.vbhgb24.com (webshop)
twitter.com/vbhgb
[facebook@vbhgb ltd](https://facebook.com/vbhgb ltd)
[instagram/ vbhgb ltd](https://instagram.com/vbhgb ltd)



Contact us today for **Online Ordering at VBH24**. Visit www.vbhgb24.com to register

Online Orders over £100 are delivered **Free** (on standard delivery to mainland addresses)

All VBH catalogues and much more can be downloaded from www.vbhgb.com