

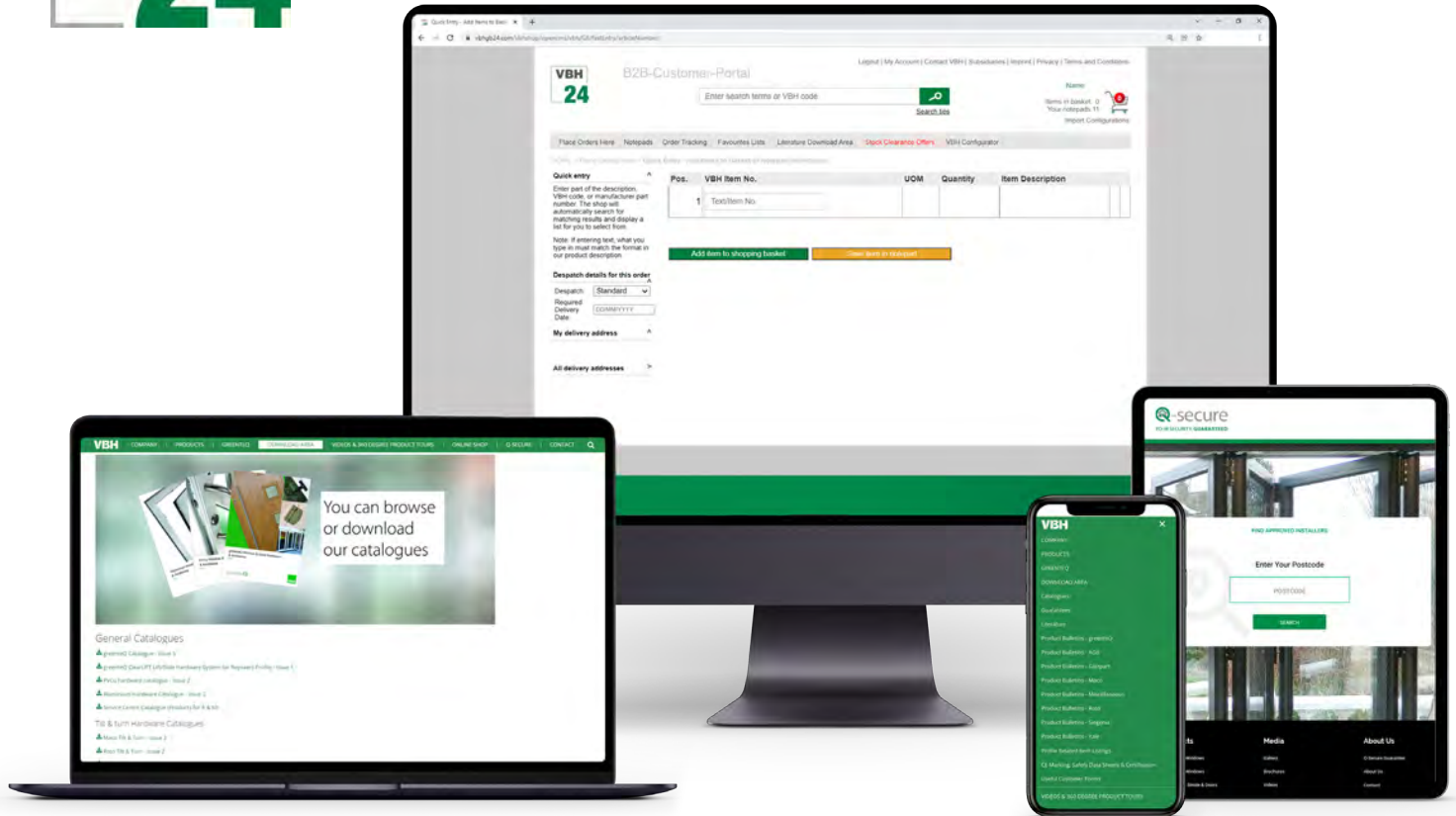


greenteQ Window & Door Hardware & Ancillaries

Issue 6

greenteQ





Do you use **VBH24** to manage your account and buy from VBH online?

IF YOU DON'T YOU'RE MISSING OUT ON A HOST OF BENEFITS INCLUDING:

FULL ORDERING FUNCTION

LIVE STOCK AVAILABILITY

CURRENT PRICE CHECKS

ACCESS TO **VBH** PRODUCT CONFIGURATOR

FOR BI-FOLDS, TILT & TURNS ETC

ORDER TRACKING FACILITY

LIVE GALA SPECIAL OFFER FEED

FAVOURITES LIST

FREE DELIVERY ON ORDERS OVER £100 VALUE*

*Terms and Conditions Apply

REGISTER TODAY AT WWW.VBHGB24.COM

Residential Door Hardware



Residential Door Hardware Contents	05
Door Handles (Lever Type & Pull Handles)	06 - 19
Split Spindles	15
Escutcheon Plates & Cylinder Pulls	20 - 22
Door Hinges	23 - 27
Letterplates	28 - 30
Door Knockers & Accessories	31 - 33
Numbers and Letters	34
Door Restrictors	35
Door Locks	36 - 41
Cylinders	42 - 46
Emergency Exit Hardware	47 - 48

Lifestyle Patio Door Hardware



Lifestyle Patio Door Contents	49
Bi-Fold Door Hardware - Running Gear & Locks (Clearspan)	50 - 61
Magnetic Catches	62
Intermediate Door Handles	63 - 65
Slim Lever Handles for Passage Door	10
Foldaway Lever Handles for Passage Door	12
Restrictor for Passage Door	35
Inline Sliding Patio Door Lock (Clearslide)	66 - 67
Handles for Inline Sliding Patio Doors	68 - 69
Lift/Slide Patio Door Hardware (Clearlift)	70 - 71
Handles for Lift/Slide Patio Doors	72 - 73
Tilt/Slide Patio Door Hardware (Galileo)	74 - 76
Handles for Tilt/Slide Patio Doors	77

Window Hardware



Window Hardware Contents	79
Handles for Casement Windows	80 - 83
Locking Systems for Casement Windows	84 - 93
Friction Stay Security Device	94
Restrictors	94
Tilt & Turn Window Hardware	96 - 97
Handles for Tilt & Turn Windows	98

Chemical Products



Chemical Products Contents	99
Adhesives	100
Lubricant	100
Frame Cleaner	100

General Information



VBH24 Online Shop	2
Q-secure Consumer Hardware Guarantee	101
10 Year greenteQ Performance & Surface Guarantee	102
25 Year Coastline Surface Guarantee	102
Useful Contacts	103

Door Handles

Alpha 92PZ Lever/Lever Sets	06
Alpha 92PZ and 92/62PZ Lever/Pad Sets	07
Alpha 92/62PZ Lever/Lever Sets	08
Alpha Specials (Blank Outer etc.)	09
Alpha SLIM 92PZ Lever/Lever Sets	10
Coastline Stainless Steel 92PZ Lever/Lever Sets	11
SecuriFold Foldaway 92PZ Lever/Lever Sets	12
Aspire Sprung Levers and Escutcheons	13
Q-Smart Electronic Door Handle	14
Coastline Stainless Steel Pull Handles & Accessories	16 - 19
Split Spindle Kits	15

Escutcheon Plates and Cylinder Pulls

Circular Escutcheons	20
Cylinder Pulls	21
Coastline Stainless Steel Escutcheons	22

Door Hinges

Sigma Velocity T Hinge for Rebated Doors	23
Sigma Hybrid Hinge for Rebated Doors	24 - 25
Sigma Flag Hinge for Rebated Doors	26
Sigma Face Fix Hinge for Composite Doors	27

Door Furniture

Omega Standard Letterplate	28
Omega Slim Letterplate	29
Coastline Stainless Steel Letterplate	30
Kappa Victorian Urn Knockers	31
Kappa Victorian Slim Urn Knockers	31 & 33
Kappa Door Viewers and Covers	31
Kappa Pony Tail Knocker	32
Kappa Doctor Knocker	32
Coastline Stainless Steel Victorian Urn Knockers	33
Kappa Numbers and Letters	34

Door Restrictors

Hold Open Turn Restrictors for Eurogroove Doors	35
Slimfit Turn Restrictor for Aluminium Doors	35

Door Locks

iQ Door Lock 650 / 2 Hooks / 2 Cams / Works with Kubu	37
iQ Door Lock 550 / 2 Hooks / 2 Cams / Extendable / Works with Kubu	38
iQ Double Door Active Lock 550 / 2 Hooks / 2 Cams / Extendable / Works with Kubu	39
iQ Double Door Passive Lock 550 / Extendable	39
iQ Composite Door Lock 750 / 2 Hooks / Works with Kubu	40
Kubu Home Hub Information	41

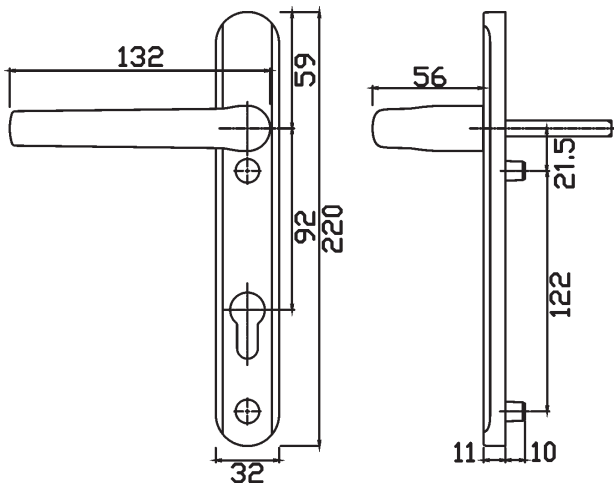
Cylinders

Orion TS007 3 Star Euro Profile Cylinder	42
Q-Star TS007 1 Star Euro Profile Cylinder	43 - 44
Gamma 6 Pin Standard Euro Profile Cylinder	45
Gamma 6 Pin Rim Latch Cylinder	46

Emergency Exit Hardware

Anti-Panic Cross Arm Panic Latch and Panic Bolt	47
Anti-Panic Push Pad Panic Latch and Panic Bolt	48
Outside Access Device	47 & 48

Alpha Lever/Lever - Short Backplate



92PZ

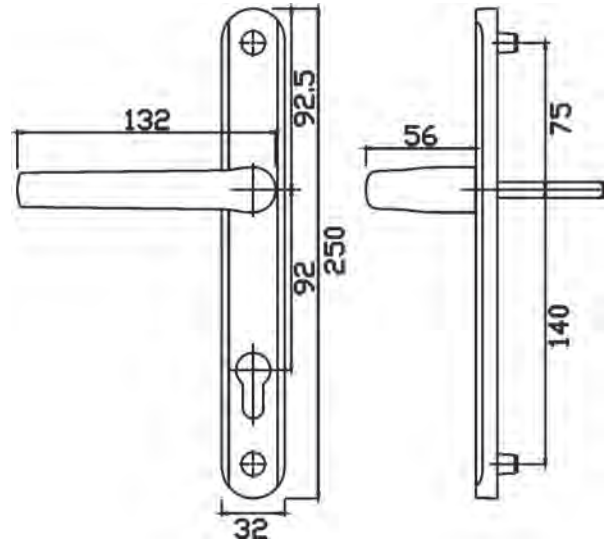
Up to 72mm door thickness

Flange around cylinder hole for gap elimination

M6 screws for added strength

Finish	Sprung	Unsprung	Box Qty
White (RAL9016)	2QHB0021	2QHB0001	12
Black (RAL9005)	2QHB0024	2QHB0004	12
Anthracite Grey (RAL7016)	2QHB0030	2QHB0010	12
PVD Gold	2QHB0025	2QHB0005	12
Polished Chrome	2QHB0026	2QHB0006	12
Satin Chrome	2QHB0027	2QHB0007	12
Smokey Chrome	-	2QHB0008	12
Enduro Steel	-	2QHB0002	12
Antique Black	-	2QHB0003	12

Alpha Lever/Lever - Long Backplate



92PZ

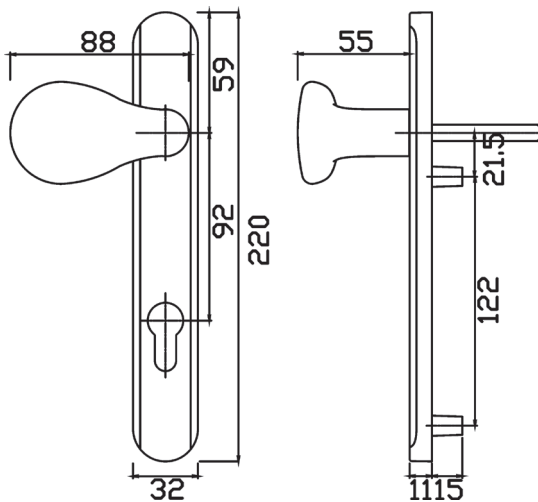
Up to 72mm door thickness

Flange around cylinder hole for gap elimination

M6 screws for added strength

Finish	Sprung	Box Qty
White (RAL9016)	2QHB0121	12
Black (RAL9005)	2QHB0124	12
Anthracite Grey (RAL7016)	2QHB0130	12
Silver Grey (RAL7040)	2QHB0129	12
PVD Gold	2QHB0125	12
Polished Chrome	2QHB0126	12
Satin Chrome	2QHB0127	12
Smokey Chrome	2QHB0128	12
Enduro Steel	2QHB0122	12
Antique Black	2QHB0123	12

Alpha Lever/Turn Pad - Short Backplate



92PZ

Unsprung lever and pad

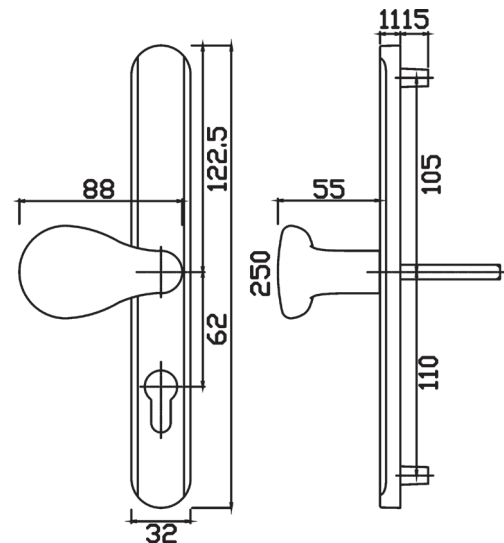
Up to 72mm door thickness

Flange around cylinder hole for gap elimination

M6 screws for added strength

Finish	VBH Code	Box Qty
White (RAL9016)	2QHB0041	12
Black (RAL9005)	2QHB0044	12
PVD Gold	2QHB0045	12
Polished Chrome	2QHB0046	12
Satin Chrome	2QHB0047	12
Smokey Chrome	2QHB0048	12

Alpha Lever/Offset Turn Pad - Long Backplate



92/62PZ

Sprung lever and pad

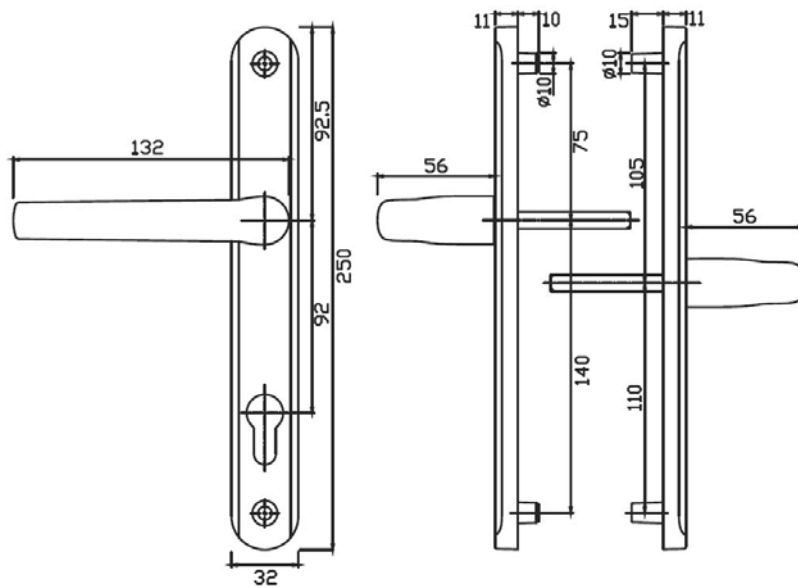
Up to 72mm door thickness

Flange around cylinder hole for gap elimination

M6 screws for added strength

Finish	VBH Code	Box Qty
White (RAL9016)	2QHB0161	12
Black (RAL9005)	2QHB0164	12
PVD Gold	2QHB0165	12
Polished Chrome	2QHB0166	12
Satin Chrome	2QHB0167	12
Smokey Chrome	2QHB0168	12
Enduro Steel	2QHB0162	12
Antique Black	2QHB0163	12

Alpha Lever/Offset Lever - Long Backplate



92/62PZ

Sprung levers

External lever is offset to 62mm PZ

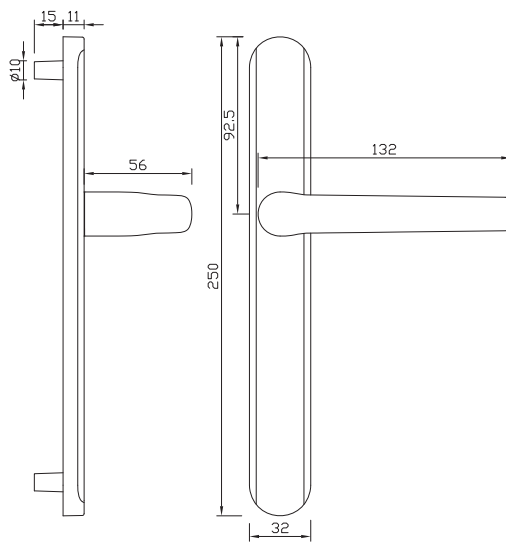
Up to 72mm door thickness

Flange around cylinder hole for gap elimination

M6 screws for added strength

Finish	VBH Code	Box Qty
White (RAL9016)	2QHB0171	12
Black (RAL9005)	2QHB0174	12
PVD Gold	2QHB0175	12
Polished Chrome	2QHB0176	12
Satin Chrome	2QHB0177	12
Smokey Chrome	2QHB0178	12

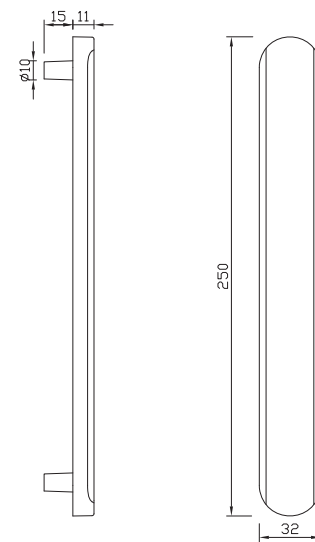
Alpha External Handle Without Cylinder Hole - Long Backplate



2 screw fix single external backplate with lever
No cylinder hole
Works with standard long backplate lever/lever where no external cylinder is required

Finish	VBH Code	Box Qty
White (RAL9016)	2QHB0131	12
Anthracite Grey (RAL7016)	2QHB0140	12
PVD Gold	2QHB0135	12
Polished Chrome	2QHB0136	12
Satin Chrome	2QHB0137	12

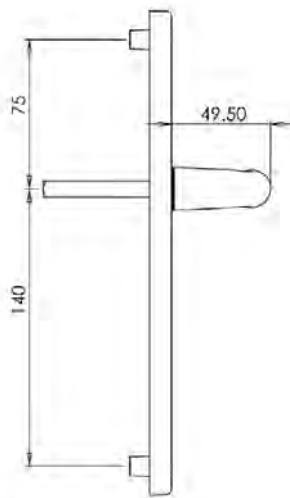
Alpha Blank External Backplate - Long



2 screw fix single backplate
Completely blank external backplate (no cylinder hole or lever)
Works with standard long backplate lever/lever where no external handle or cylinder is required

Finish	VBH Code	Box Qty
White (RAL9016)	2QHB0111	6
Black (RAL9005)	2QHB0114	6
Anthracite Grey (RAL7016)	2QHB0120	6
PVD Gold	2QHB0115	6
Polished Chrome	2QHB0116	6
Satin Chrome	2QHB0117	6
Smokey Chrome	2QHB0118	6

Alpha Slim Lever/Lever Handle Sets

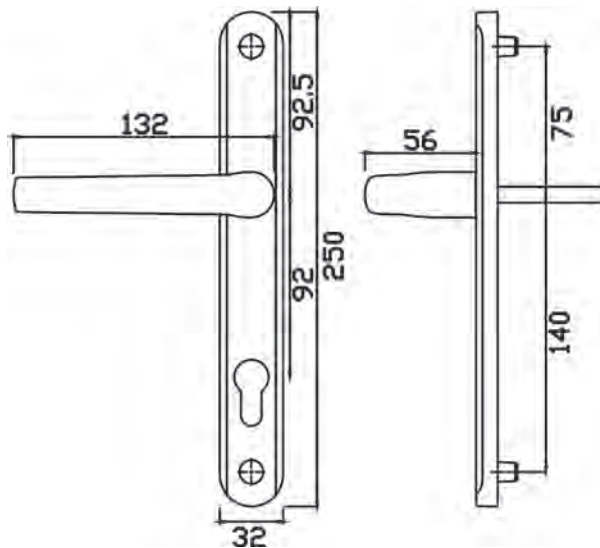


92PZ

26mm backplate allows fitting to slim sashes without clashing or overhang
 Swept lever stands off backplate by only 49.5mm to avoid clashing with outer frame
 Same door prep as greenteQ Alpha, Coastline and 3rd party handles
 Supplied with spring cassettes
 Available in 5 colours of the greenteQ Suite
 Covered by the 10 year greenteQ Guarantee

Finish	VBH Code	Box Qty
White RAL 9016	2QHB0321	12
Black RAL 9005	2QHB0324	12
Anthracite Grey RAL 7016	2QHB0330	12
Polished Chrome	2QHB0326	12
Satin Chrome	2QHB0327	12

Coastline Lever/Lever - Long Backplate



- Grade 304 stainless steel construction for exceptional corrosion resistance
- 92PZ to suit most door locks
- 2 screw fix
- Supplied with spring cassettes
- Up to 72mm door thickness
- M6 screws for added strength
- Non-handed
- 25 Year Guarantee

Finish	VBH Code	Box Qty
PVD Gold	2QHB0825C	12
Polished Stainless Steel	2QHB0827C	12
Brushed Stainless Steel	2QHB0829C	12

Securifold

Works with most multi-point 92PZ door locks on bi-fold and resi-doors
 Levers fold vertically against backplate when not in use to allow neat stacking of bi-fold doors and to provide clear sightline through glass when closed

Can be used on resi doors to prevent the lever clashing against the wall

Stands off profile by only 25mm in inactive position

Top of lever pushes in to allow turn action

Accepts standard or security Euro profile cylinders

Location peg holds the lever in place in inactive position to prevent handle rattle

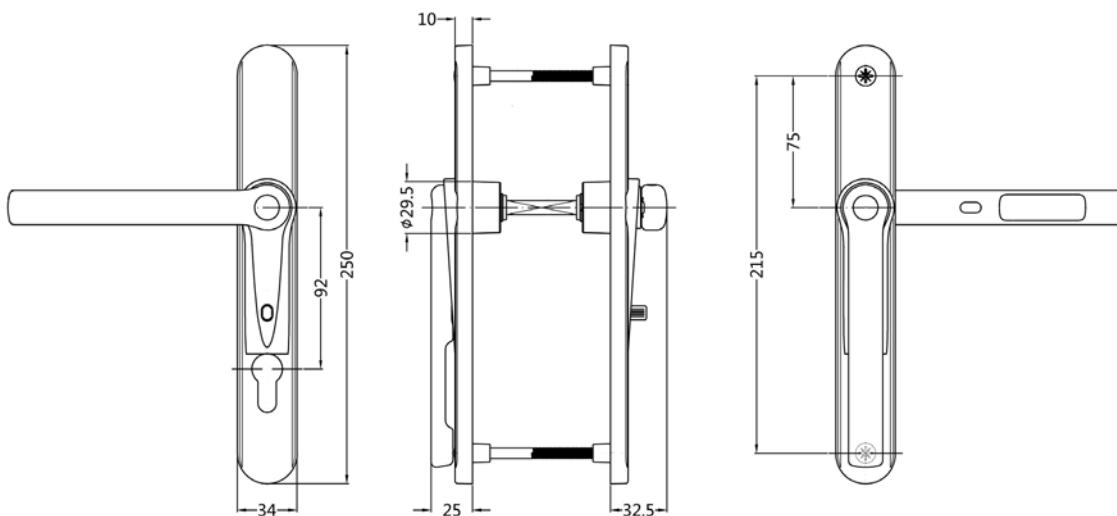
Internal and external levers operate independently

Identical screw centres to standard long backplate Alpha door handle

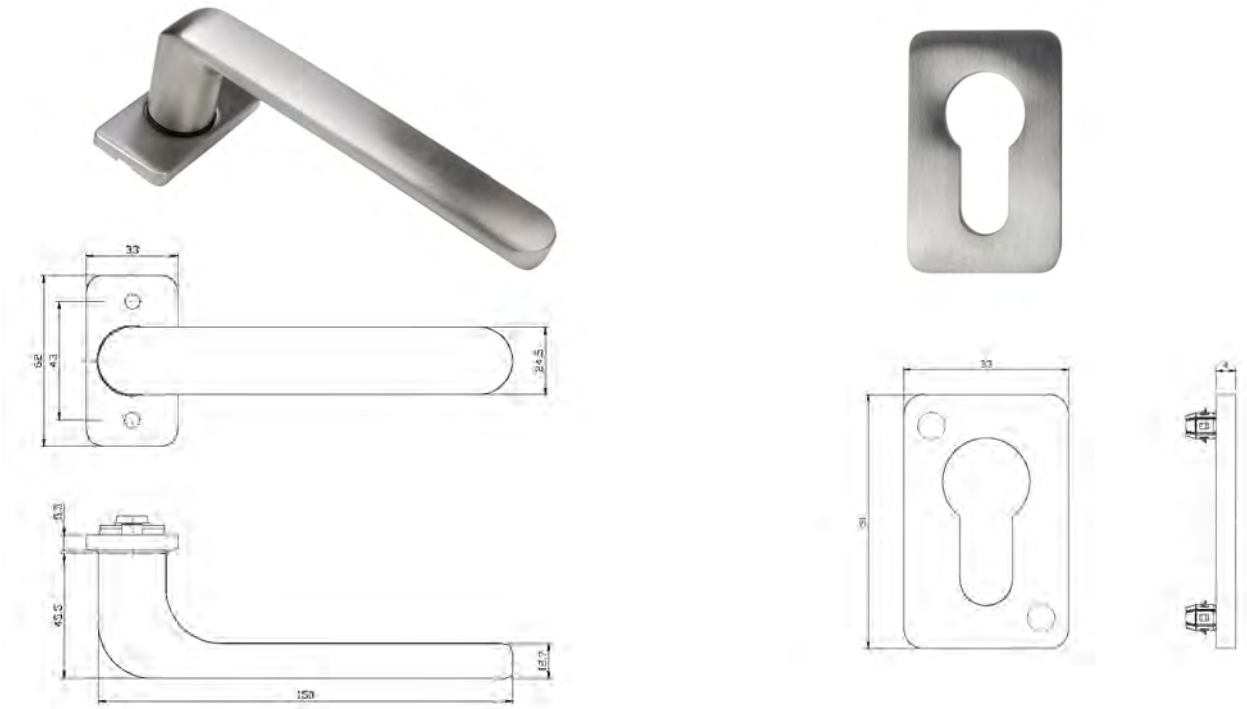
Covered by the greenteQ 10 year guarantee

Approved for use on Q-secure installations

Description	VBH Code	Box Qty
LH White	4QBF0091	12
RH White	4QBF0092	12
LH Black	4QBF0093	12
RH Black	4QBF0094	12
LH Anthracite Grey	4QBF0101	12
RH Anthracite Grey	4QBF0102	12
LH Polished Chrome	4QBF0097	12
RH Polished Chrome	4QBF0098	12
LH Satin Chrome	4QBF0099	12
RH Satin Chrome	4QBF0100	12



Aspire Sprung Lever and Escutcheons



- Sprung levers always return to 90° position
- Escutcheon plates stand off sash profile only 4mm
- Part of the greenteQ suite
- 8 attractive greenteQ colours to match or complement any RAL colour
- Concealed fixing systems
- Grade 304 stainless steel construction
- 10 year greenteQ mechanical & surface guarantee

Sprung Levers

Colour	VBH Code	Box Qty
White RAL 9016	2QHB4761	40
Anthracite Grey RAL 7016	2QHB4762	40
Silver (Window Grey) RAL 7040	2QHB4763	40
Black RAL 9005	2QHB4764	40
PVD Gold	2QHB4765	40
Polished Stainless Steel	2QHB4768	40
Brushed Stainless Steel	2QHB4769	40
Brushed Graphite	2QHB4770	40

Escutcheon Plates

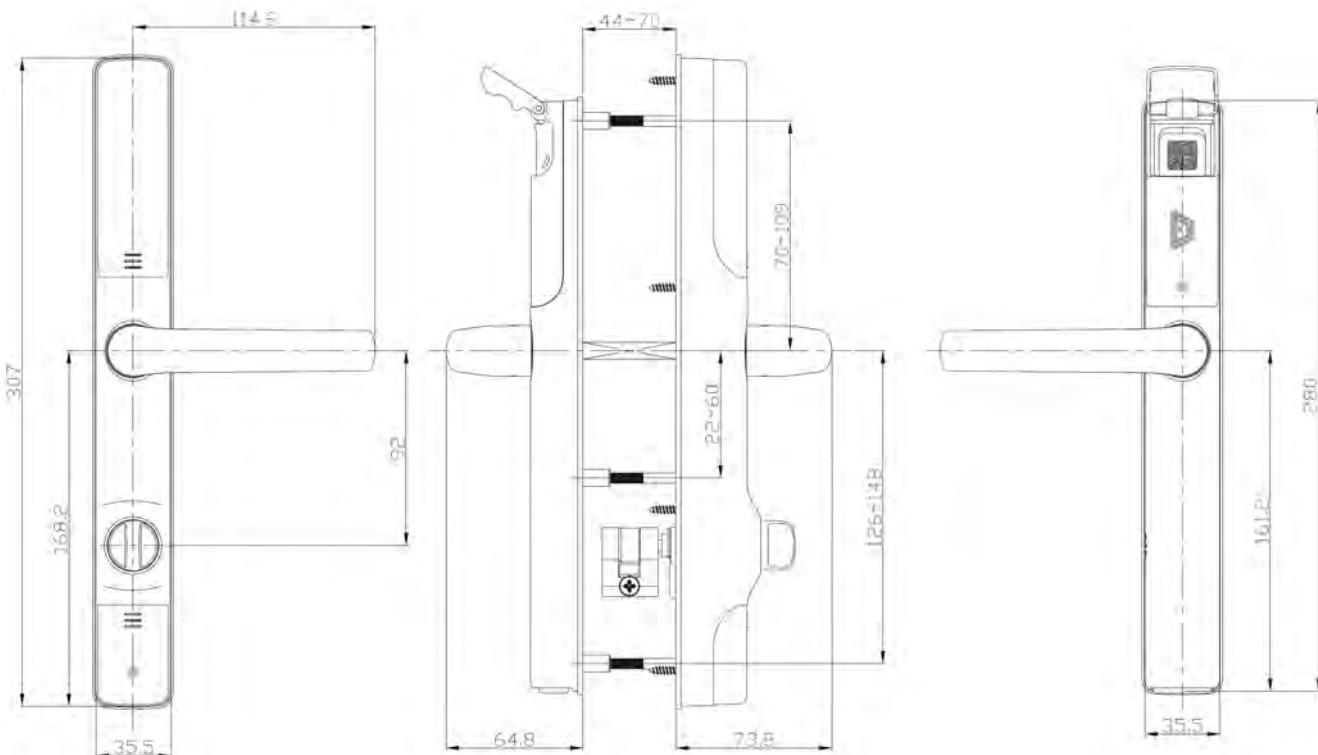
Colour	VBH Code	Box Qty
White RAL 9016	2QHB4781	40
Anthracite Grey RAL 7016	2QHB4782	40
Silver (Window Grey) RAL 7040	2QHB4783	40
Black RAL 9005	2QHB4784	40
PVD Gold	2QHB4785	40
Polished Stainless Steel	2QHB4788	40
Brushed Stainless Steel	2QHB4789	40
Brushed Graphite	2QHB4790	40

Please contact the VBH Technical Team for fixing pack availability to suit your profile/lock combination.

Q-Smart Electronic Door Handle

Keyless living
 Certified to ETSI TS103 645 (CYBER; Cyber Security for Consumer Internet of Things)
 Full access through smartphone, proximity fob or fingerprint
 Send mobile keys to family and friends via the Blusafe app
 Know who enters the property (and when)
 Battery operated - no mains connection required
 Power bank back up - just in case
 Unlocked status reminder
 Push & Turn thumb turn for convenience and safety
 Suits standard door thicknesses (minimum 44mm)
 Compact unit - around 60% the size of comparable products
 Attractive black and polished chrome finishes
 Easy to fit and set up

Finish	VBH Code	Box Qty
Black	7QSM3004	5
Polished Chrome	7QSM3006	5



Alpha Split Spindles

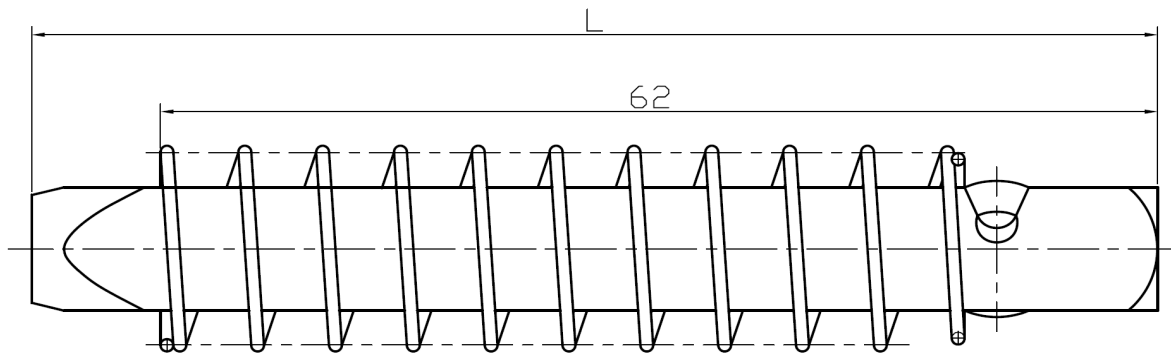
greenteQ Alpha Split Spindles are used in conjunction with split spindle door locks, usually on residential front doors.

They allow the lock to be operated from the inside as a standard lift/lever lock where the latch is retracted by pushing down the lever.

However, on the outside of the door, the spindle locates into the half follower that does not retract the latch, so the latch can only be retracted using a key.

This provides a degree of security if the door is closed but not locked. However, the door must be fully locked by lifting the handle and locking the profile cylinder for full security.

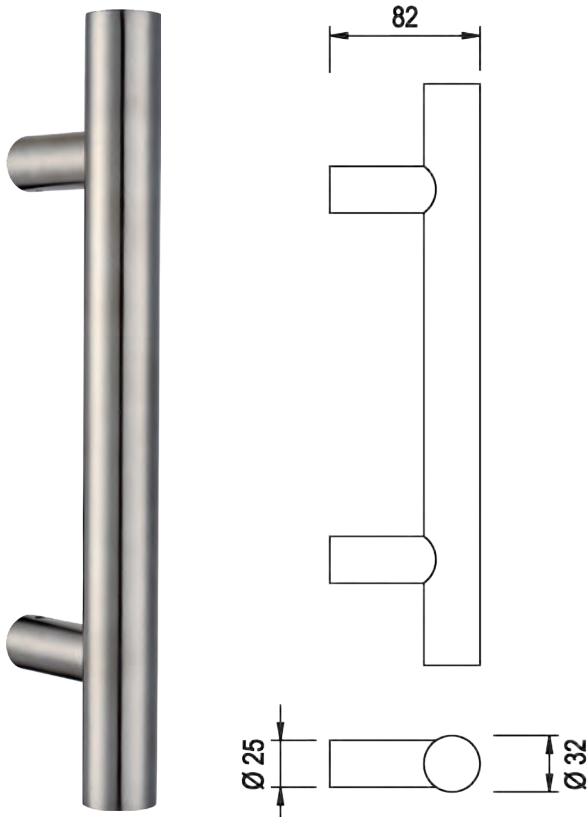
greenteQ Alpha Split Spindles work with most lock and handle combinations. The required lengths will vary according to which profile and handle are used.



Description	Dimension L (mm)	VBH Code	Box Qty
Single Alpha Split Spindle	50	2QHB0231	50
Single Alpha Split Spindle	55	2QHB0232	50
Single Alpha Split Spindle	60	2QHB0233	50
Single Alpha Split Spindle	65	2QHB0234	50
Single Alpha Split Spindle	70	2QHB0235	50



TG 10.ER.GS



Matt brushed stainless steel construction (grade 1.4301)

Can be used on its own or fixed back to back in pairs

Suitable for interior & exterior use

Diameter of handle tube: 32mm

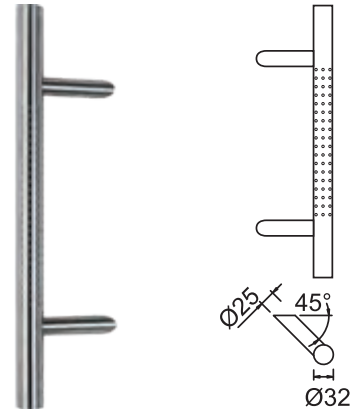
Diameter of legs: 25mm

Available with 90° or 45° legs

BA15 fixing pack dependent on door material and application to be ordered separately (see page 19 for options)

Overall Length/Fixing Centres	90° Legs	45° Legs	Box Qty
330mm/210mm	2QHB3010	2QHB3070	10
400mm/300mm	2QHB3011	2QHB3071	10
500mm/300mm	2QHB3012	2QHB3072	10
600mm/400mm	2QHB3013	2QHB3073	10
800mm/560mm	2QHB3014	2QHB3074	10
1000mm/700mm	2QHB3015	2QHB3075	10
1200mm/900mm	2QHB3016	2QHB3076	10
1400mm/1000mm	2QHB3017	2QHB3077	10
1600mm/1200mm	2QHB3018	2QHB3078	10
1800mm/1300mm	2QHB3019	2QHB3079	10

TG 11.ER.GS 45°



Matt brushed stainless steel construction (grade 1.4301)

Can be used on its own or fixed back to back in pairs

Suitable for interior & exterior use

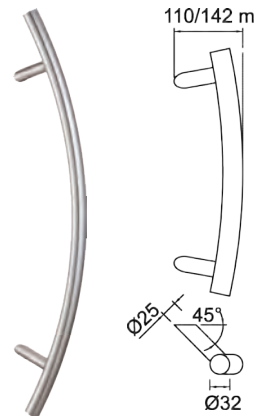
Diameter of handle tube: 32mm

Diameter of legs: 25mm

BA15 fixing pack dependent on door material and application to be ordered separately (see page 19 for options)

Overall Length/Fixing Centres	VBH Code	Box Qty
500mm/300mm	2QHB3021	10

TG 12.ER



Matt brushed stainless steel construction (grade 1.4301)

Can be used on its own or fixed back to back in pairs

Suitable for interior & exterior use

Diameter of handle tube: 32mm

Diameter of legs: 25mm

Available with standard 90° and 45° legs

BA15 fixing pack dependent on door material and application to be ordered separately (see page 19 for options)

Overall Length/Fixing Centres	Width at Widest Point of Curve (90°/45° versions)	90° Legs	45° Legs	Box Qty
400mm/300mm	52/110mm	2QHB3023	2QHB3025	10
800mm/695mm	117/142mm	2QHB3024	2QHB3026	10

Coastline Oval Profile - Straight



Matt brushed stainless steel construction (grade 1.4301)
 Attractive 45 x 26mm oval profile
 Can be used on its own or back to back in pairs
 30 x 19mm legs
 Relevant Fixing Kits to be ordered separately
 (See page 19)

Length	VBH Code	Box Qty
400mm	2QHB3092	10
800mm	2QHB3095	10
1200mm	2QHB3097	10
1600mm	2QHB3099	10

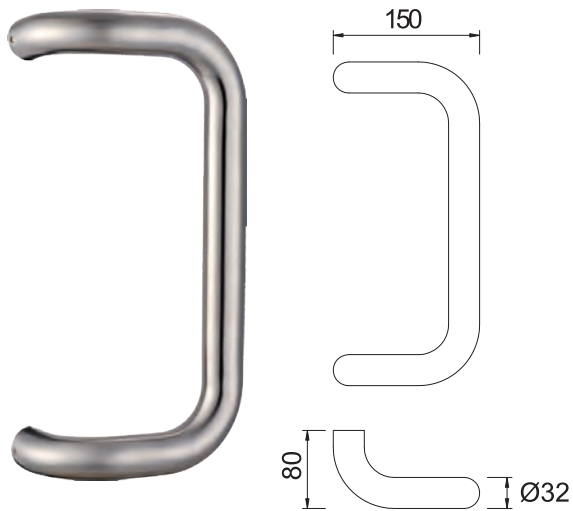
Coastline Oval Profile - Angled



Matt brushed stainless steel construction (grade 1.4301)
 Attractive 45 x 26mm oval profile
 Can be used on its own or back to back in pairs
 Angled fixing brackets offset pull handle by 72mm
 Relevant Fixing Kits to be ordered separately
 (See page 19)

Length	VBH Code	Box Qty
400mm	2QHB3102	10
800mm	2QHB3105	10
1200mm	2QHB3107	10
1600mm	2QHB3109	10

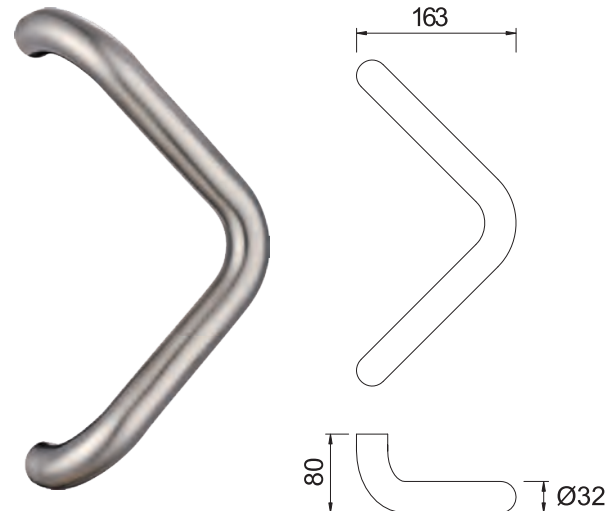
TG 10.ER.GKL



Matt brushed stainless steel construction (grade 1.4301)
 Can be used on its own or fixed back to back in pairs
 Suitable for interior & exterior use
 Diameter of handle tube: 32mm
 BA15 fixing pack dependent on door material and application to be ordered separately (see page 19 for options)

Height	Width at Widest Point	VBH Code	Box Qty
300mm	150mm	2QHB3005	10
350mm	150mm	2QHB3006	10

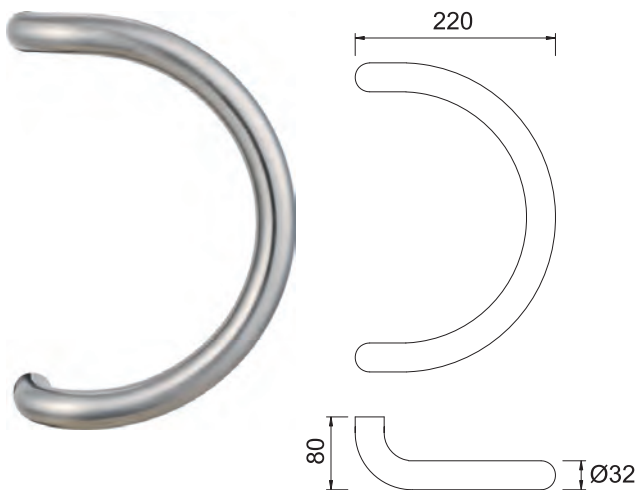
TG 10.ER.GKW



Matt brushed stainless steel construction (grade 1.4301)
 Can be used on its own or fixed back to back in pairs
 Suitable for interior & exterior use
 Diameter of handle tube: 32mm
 BA15 fixing pack dependent on door material and application to be ordered separately (see page 19 for options)

Height	Width at Widest Point	VBH Code	Box Qty
300mm	163mm	2QHB3001	10
350mm	163mm	2QHB3002	10

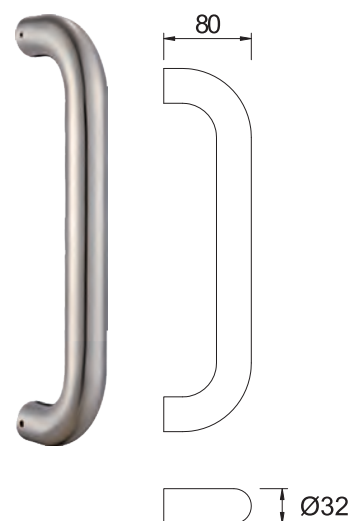
TG 10.ER.GKH



Matt brushed stainless steel construction (grade 1.4301)
 Can be used on its own or fixed back to back in pairs
 Suitable for interior & exterior use
 Diameter of handle tube: 32mm
 BA15 fixing pack dependent on door material and application to be ordered separately (see page 19 for options)

Height	Width at Widest Point	VBH Code	Box Qty
300mm	220mm	2QHB3003	10
350mm	220mm	2QHB3004	10

TG 10.ER.GB



Matt brushed stainless steel construction (grade 1.4301)
 Can be used on its own or fixed back to back in pairs
 Suitable for interior & exterior use
 Diameter of handle tube: 32mm
 BA15 fixing pack dependent on door material and application to be ordered separately (see page 19 for options)

Height	VBH Code	Box Qty
300mm	2QHB3007	10
350mm	2QHB3008	10

Fixing Kits for Pull Handles

Fixing Kits are used to fix greenteQ Pull Handles onto a variety of door materials

The correct kit should be selected according to Pull Handle, door material and whether the handle is used as a single or a back to back pair

BA 15.EUS.H/K/A



BA15 Type
 For single sided INVISIBLE fixing
 Fixing material: galvanized steel
 Door material: aluminium, timber (composite), PVCu
 Bore diameter: 10mm
 Suits handle types: TG 10, TG 11, TG 12
 Supplied individually

Length	VBH No	Box Qty
20mm	2QHB3031	1 Piece
25mm	2QHB3032	1 Piece
30mm	2QHB3033	1 Piece
35mm	2QHB3034	1 Piece
45mm	2QHB3035	1 Piece
60mm	2QHB3037	1 Piece

BA 15.ES.H/K/A



BA15 Type
 For single sided Thru-fixing
 Fixing material: stainless steel, galvanized steel & brass
 Door material: aluminium, timber (composite), PVCu
 Door thickness: up to 80mm
 Suits handle types: TG 10, TG 11, TG 12
 Supplied in a set of 2

Description	VBH No	Box Qty
Fixing Kit	2QHB3029	1 Set

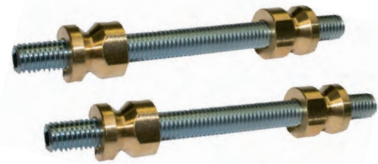
BA 15.EU.H



BA15 Type
 For single sided INVISIBLE fixing
 Fixing material: galvanized steel & brass
 Door material: timber (composite)
 With Rampa-bushing M8/14.5 x 25mm
 Suits handle types: TG 10, TG 11, TG 12
 Supplied in a set of 2

Description	VBH No	Box Qty
Fixing Kit	2QHB3028	100

BA 15.PR.H/K/A



BA15 Type
 For back to back fixing
 Fixing material: galvanized steel & brass
 Door material: aluminium, timber (composite), PVCu
 Door thickness: up to 80mm
 Bore diameter: M8
 Suits handle types: TG 10, TG 11, TG 12
 Supplied in a set of 2

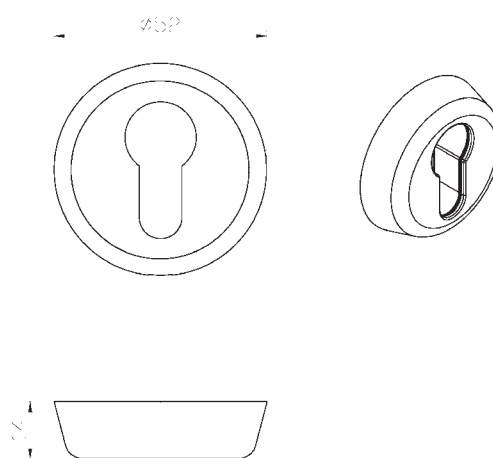
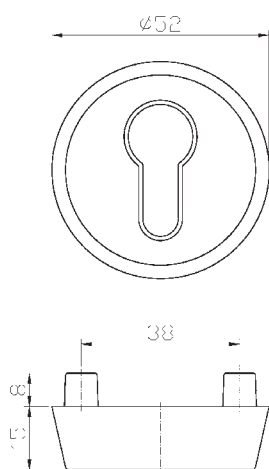
Description	VBH No	Box Qty
Fixing Kit	2QHB3030	100

Circular Escutcheons



External

Internal



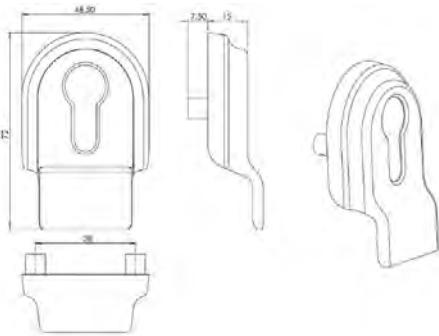
Mix and match colours and product on same door - no waste
 Mix and match with cylinder pulls on same door - no waste
 Flange prevents cylinder removal
 Attractive chamfer detail aids security
 Through fix from inside with colour-matched fixings
 5 attractive finishes - part of the greenteQ Suite of colour matched door and window furniture
 Covered by the 10 year greenteQ guarantee

Description	VBH Code	Box Qty
External White RAL 9016	2QDF0241	10
External Black RAL 9005	2QDF0244	10
External PVD Gold	2QDF0245	10
External Polished Stainless Steel	2QDF0248	10
External Brushed Stainless Steel	2QDF0249	10
Internal White RAL 9016	2QDF0261	10
Internal Black RAL 9005	2QDF0264	10
Internal PVD Gold	2QDF0265	10
Internal Polished Stainless Steel	2QDF0268	10
Internal Brushed Stainless Steel	2QDF0269	10

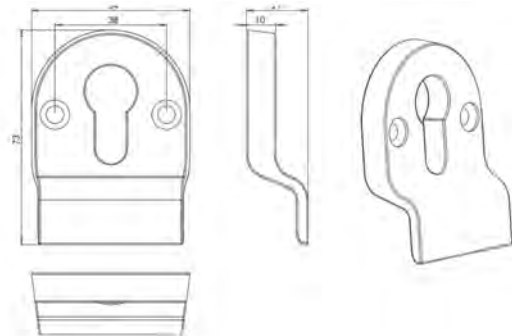
Cylinder Pulls



External



Internal



- Prevents misuse of key or other furniture
- Mix and match colours on same door - no waste
- Mix and match with Circular Escutcheons on same door - no waste
- Flange prevents cylinder removal
- Through fix from inside with colour-matched fixings
- 5 attractive finishes - part of the greenteQ Suite of colour matched door and window furniture
- Covered by the 10 year greenteQ guarantee

Description	VBH Code	Box Qty
External White RAL 9016	2QDF0201	10
External Black RAL 9005	2QDF0204	10
External PVD Gold	2QDF0205	10
External Polished Stainless Steel	2QDF0208	10
External Brushed Stainless Steel	2QDF0209	10
Internal White RAL 9016	2QDF0221	10
Internal Black RAL 9005	2QDF0224	10
Internal PVD Gold	2QDF0225	10
Internal Polished Stainless Steel	2QDF0228	10
Internal Brushed Stainless Steel	2QDF0229	10

Escutcheons

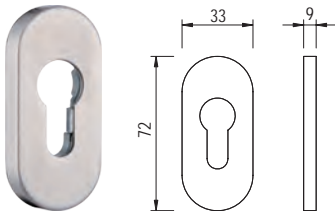
Security Escutcheon Pair ZA PZ 14mm ER



Matt brushed stainless steel (grade 1.4301)
Internal dimensions: 8 x 52mm diameter
Door thickness: 67 - 72mm
Supplied as a pair complete with 2 No. M6 x 80mm screws

Description	VBH Code	Box Qty
Escutcheon Pair	2QHB3500	10 Pr

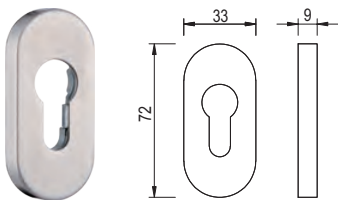
Escutcheon Oval 9mm ER



greenteQ escutcheon for entrance doors, to combine with pull handles and lever handles
9mm thick
Sliding plate with matt brushed stainless steel clip-on cover
PZ keyhole
Screws not included

Description	VBH Code	Box Qty
Escutcheon	2QHB3510	10

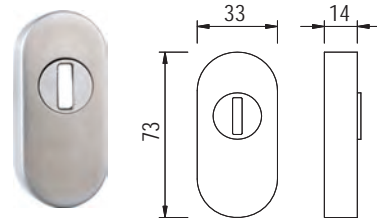
Clip-on Escutcheon PZ Oval 8mm ER



Clip on greenteQ escutcheons for entrance doors, to combine with pull handles and lever handles
9mm thick
Matt brushed stainless steel
PZ keyhole
Screws not included

Description	VBH Code	Box Qty
Escutcheon	2QHB3511	10

Sliding Escutcheon with Cylinder Cover ZA Oval 14mm ER



greenteQ escutcheon with cylinder cover for entrance doors, to combine with pull handles and lever handles
14mm thick for 5-10mm cylinder protrusion
Matt brushed stainless steel
PZ keyhole
Screws not included

Description	VBH Code	Box Qty
Escutcheon	2QHB3508	10

Sliding Escutcheon PZ 10mm ER



Matt brushed stainless steel (grade 1.4301)
Dimensions: 30 x 70 x 10mm
Supplied individually

Description	VBH Code	Box Qty
Escutcheon	2QHB3520	10

Sigma Velocity T-Hinge

Simple jig for frame part positioning (no jig required for sash)
 Supplied complete with fixing screws
 Supplied with 2 location pins for optimum positioning on all profiles
 3D adjustment with 5mm hex key (+/- 5mm lateral, +/-1mm height, +/- 0.75mm compression)
 100Kg sash weight
 Maximum opening angle 180 degrees
 Snap close sash cover with positive location security plate for outward opening doors
 Available in 8 colours of the greenteQ Suite
 PAS24:2022 compliant (when part of a security specification)
 BS EN 1670:2007 Grade 5 NSST corrosion resistance (480 hours)
 BS EN1935:2002 Grade 12
 Cycle tested to 200,000 cycles as part of BS EN1935:2002
 Q-secure PREMIUM approved

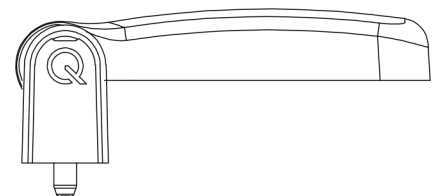
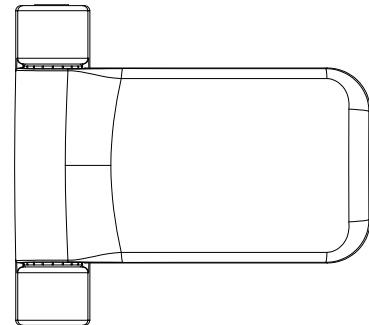
Sigma Velocity is supplied in fabricator-friendly packaging in two parts. Pair the correct size hinge body (16, 19 or 22mm) with the correct sash part (0, +1mm or +2mm) to reach the desired sash upstand dimension.

Hinge Body Component

Colour/ Hinge Body Option	Type A (16mm)	Type B (19mm)	Type C (22mm)	Box Qty
White	2QDH1001	2QDH1021	2QDH1041	24
Anthracite Grey	2QDH1002	2QDH1022	2QDH1042	24
Black	2QDH1004	2QDH1024	2QDH1044	24
PVD Gold	2QDH1005	2QDH1025	2QDH1045	24
Polished Chrome	2QDH1006	2QDH1026	2QDH1046	24
Satin Chrome	2QDH1007	2QDH1027	2QDH1047	24
Smokey Chrome	2QDH1008	2QDH1028	2QDH1048	24
Enduro Steel	2QDH1009	2QDH1029	2QDH1049	24

Sash Component Kit

Colour/ Hinge Body Option	Low X (0mm)	Mid Y (+1mm)	High X (+2mm)	Box Qty
White	2QDH1061	2QDH1081	2QDH1101	24
Anthracite Grey	2QDH1062	2QDH1082	2QDH1102	24
Black	2QDH1064	2QDH1084	2QDH1104	24
PVD Gold	2QDH1065	2QDH1085	2QDH1105	24
Polished Chrome	2QDH1066	2QDH1086	2QDH1106	24
Satin Chrome	2QDH1067	2QDH1087	2QDH1107	24
Smokey Chrome	2QDH1068	2QDH1088	2QDH1108	24
Enduro Steel	2QDH1069	2QDH1089	2QDH1109	24



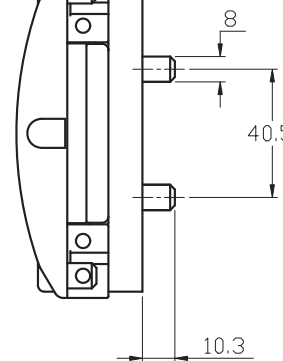
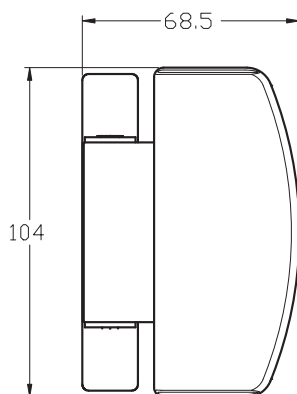
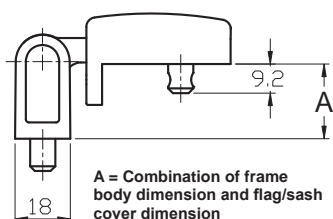
Optional Parts

Description	VBH Code	Box Qty
Location Pin (2 per hinge)	2QDH1122	100

Drilling Jig

Description	VBH Code	Box Qty
Frame Body Jig	2QDH1121	1

Sigma Hybrid Hinge for Rebated Doors



- Ample 3D adjustment
- 80Kg sash weight
- 13-24mm sash upstand (no frame packers)
- 12 colours to match greenteQ suite (See following page for details of 4 more exciting colours)
- Suits inward and outward opening doors
- Only 5 main components

Description	White RAL9016	Dark Brown RAL8019	Light Brown RAL8003	Black RAL9005	PVD Gold	Polished Chrome	Satin Chrome	Smokey Chrome	Box Qty
Frame Body 16.5mm	2QHH0001	2QHH0002	-	-	2QHH0005	-	2QHH0007	2QHH0008	50
Frame Body 20.5mm	2QHH0021	2QHH0022	2QHH0023	2QHH0024	2QHH0025	2QHH0026	2QHH0027	2QHH0028	50

Description	White RAL9016	Dark Brown RAL8019	Light Brown RAL8003	Black RAL9005	PVD Gold	Polished Chrome	Satin Chrome	Smokey Chrome	Box Qty
Flag/Sash Cover +/-0.5mm	2QHH0041	2QHH0042	2QHH0043	2QHH0044	2QHH0045	2QHH0046	2QHH0047	2QHH0048	50
Flag/Sash Cover +/-1.5mm	2QHH0061	2QHH0062	2QHH0063	2QHH0064	2QHH0065	2QHH0066	2QHH0067	2QHH0068	50
Flag/Sash Cover +/-2.5mm	2QHH0081	-	-	2QHH0084	2QHH0085	2QHH0086	2QHH0087	-	50
Flag/Sash Cover +/-3.5mm	2QHH0101	2QHH0102	-	2QHH0104	-	2QHH0106	-	-	50

Sash Packers

Description	White RAL9016	Black RAL9005	Box Qty
45° Chamfer	2QHH0134	2QHH0144	500
50° Chamfer	2QHH0133	2QHH0143	500

Bespoke contoured sash packers are also available to suit a number of PVCu systems. Please contact VBH for details

Fitting Jigs

Description	VBH Code	Box Qty
15mm Step Height	2QHH0121	1
20mm Step Height	2QHH0122	1

Frame Packers

Description	VBH Code	Box Qty
White 1mm Packer	2QHH0130	100

Match the correct frame body and flag/sash cover for your profile
 e.g. For an 18mm sash upstand select a 16.5mm frame body with a +/- 1.5mm flag/sash cover
 Please note image shows assembled hinge

Hinges for Rebated Doors



greenteQ

Sigma Hybrid Hinge for Rebated Doors (Sash & Frame Components Packed Together)



Hinge with 20.5mm Frame Bearing (Select code according to profile upstand)

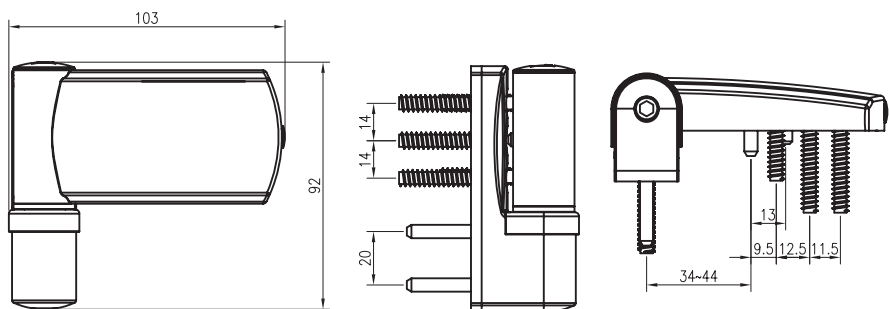
Colour	Upstand Variance	20-21mm Upstand	Upstand Variance	19-22mm Upstand
RAL9001 Cream	+/- 0.5mm	2QHH2081	+/- 1.5mm	2QHH2101
14-C-35 Iceplant Green**	+/- 0.5mm	2QHH2082	+/- 1.5mm	2QHH2102
RAL7016 Anthracite Grey	+/- 0.5mm	2QHH2083	+/- 1.5mm	2QHH2103
RAL8017 Chocolate Brown	+/- 0.5mm	2QHH2087	+/- 1.5mm	2QHH2107

**Colour-match for Chartwell Green profiles

Sigma Flag Hinge



Max sash weight: 100Kg with 2 hinges
Lateral adjustment: +/-5mm
Height adjustment: +4/-1mm
Compression adjustment: +/-0.75mm
Complies with EN1935:2002
Adjustment gap cover
Allows 190° opening
Hinges are supplied with all covers and fixings
Part of the greenteQ suite
10 year greenteQ guarantee



Upstand	White RAL9016	White** RAL9016	Brown RAL8019	Tan RAL8003	Black RAL9005	PVD Gold	Polished Chrome	Satin Chrome	Enduro Steel	Box Qty
13.5-16.5mm*	-	2QDH0061	2QDH0002	2QDH0003	2QDH0004	2QDH0005	2QDH0006	2QDH0007	2QDH0009	24
18.5-21.5mm*	2QDH0011	-	2QDH0012	2QDH0013	2QDH0014	2QDH0015	2QDH0016	2QDH0017	2QDH0019	24

*Higher upstands can be catered for by fitting packers under the frame body
**Bulk trays of 24 hinges for easy handling on the work bench

Sigma Under Packers



Contoured packers have a flat base and contoured top to sit between hinge and profile.

If the door profile has an upstand greater than the contoured packer provides, a stackable packer can also be fitted to provide an additional 3mm between hinge and contoured packer.

Description	VBH Code	Box Qty
1mm Contoured Packer White	2QDH0021	100
2mm Contoured Packer White	2QDH0022	100
3mm Contoured Packer White	2QDH0023	100
5mm Contoured Packer White	2QDH0025	100
3mm Stackable Packer White	2QDH0029	100
1mm Contoured Packer Black	2QDH0031	100
2mm Contoured Packer Black	2QDH0032	100
3mm Contoured Packer Black	2QDH0033	100
5mm Contoured Packer Black	2QDH0035	100

Spares



Description	VBH Code	Box Qty
White Cover Pack	2QDH0054	1
Black Cover Pack	2QDH0055	1
Fixing Screw Pack (50/28mm)	2QDH0052	1

Fitting Jig



Description	VBH Code	Box Qty
Aluminium Jig	2QDH0050	1
Plastic Jig	2QDH0051	1

Sigma Face Fix Composite Door Hinge



- Attractive slim appearance
- Choice of +/- 2mm 1D-adjustable or standard versions
- 7 attractive finishes to match with greenteQ suited colours
- Strong fixing points and 5 knuckle construction prevent hinge drop
- Hinge point is pre-lubricated for exceptionally smooth action
- Frame plate fits the standard Solidor prep

1D-Adjustable Version

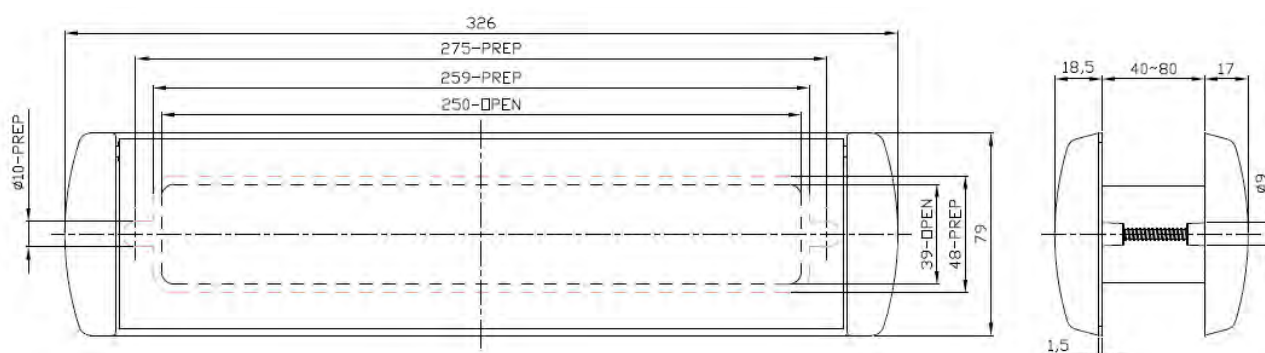
Finish	VBH Code	Box Qty
White RAL 9016	2QCB0041	30
Black RAL 9005	2QCB0044	30
PVD Gold	2QCB0045	30
Polished Chrome	2QCB0046	30
Satin Chrome	2QCB0047	30
Brushed Nickel	2QCB0049	30
Anthracite Grey	2QCB0043	30

Standard Version

Finish	VBH Code	Box Qty
White RAL 9016	2QCB0031	30
Black RAL 9005	2QCB0034	30
PVD Gold	2QCB0035	30
Polished Chrome	2QCB0036	30
Satin Chrome	2QCB0037	30
Brushed Nickel	2QCB0039	30

Note: fixings are not supplied with the hinge

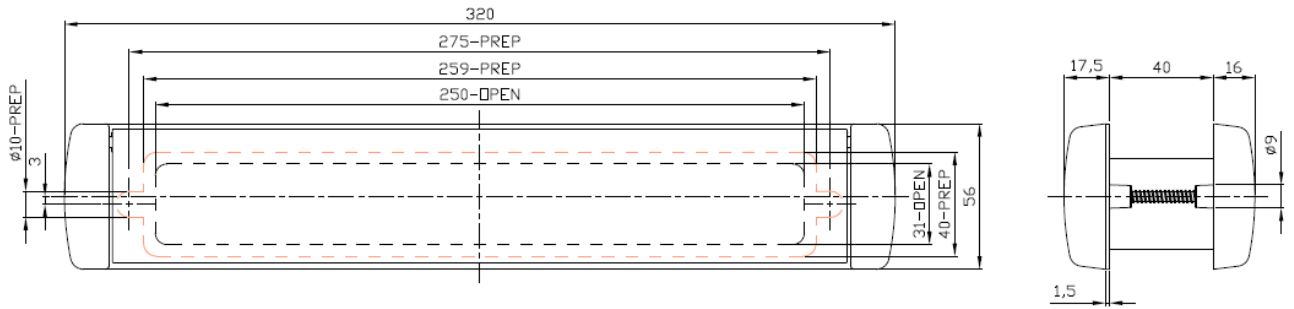
Omega 2



Contemporary styling
 Standard and Slim versions
 Part of the greenteQ Suite of matching door and window furniture
 Available in 9 colours
 Nylon brush seal to inside and external foam seal
 Suits doors from 40 – 80mm thick
 Near 180° opening (in and out)
 Durable - tested to BS EN 13724 (classification 4241) and BS EN 1670
 Cushioned closing action
 326 x 79mm (Standard) overall size*
 250 x 39mm (Standard) aperture*

Finish	VBH Code	Box Qty
White (RAL9016)	2QBX0061	12
Enduro Steel	2QBX0062	12
Antique Black	2QBX0063	12
Black (RAL9005)	2QBX0064	12
PVD Gold	2QBX0065	12
Polished Chrome	2QBX0066	12
Satin Chrome	2QBX0067	12
Smokey Chrome	2QBX0068	12
Anthracite Grey (RAL7016)	2QBX0069	12

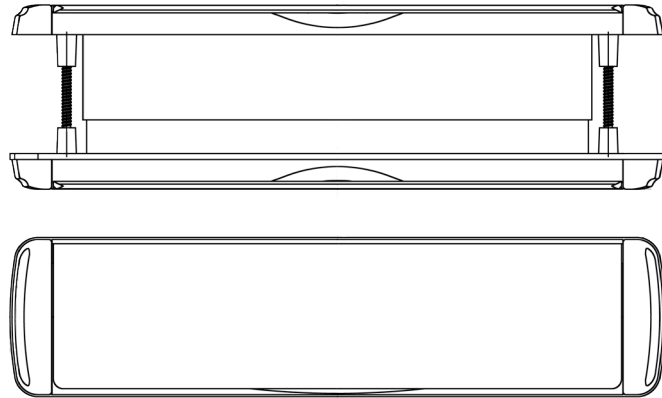
Omega Slim



Contemporary styling
 Standard and Slim versions
 56mm Slim version is ideal for slim mid-rails/transoms
 Part of the greenteQ Suite of matching door and window furniture
 Available in 9 colours
 Nylon brush seal to inside and external foam seal
 Suits doors from 40mm thick
 Near 180° opening (in and out)
 Durable - tested to BS EN 13724 (classification 4241) and BS EN 1670
 Cushioned closing action
 320 x 56mm (Slim) overall size*
 2250 x 31mm (Slim) internal aperture*

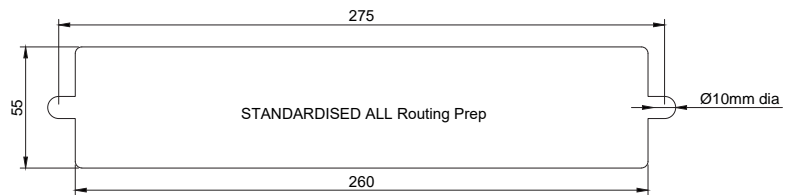
Finish	VBH Code	Box Qty
White (RAL9016)	2QBX0081	12
Enduro Steel	2QBX0082	12
Antique Black	2QBX0083	12
Black (RAL9005)	2QBX0084	12
PVD Gold	2QBX0085	12
Polished Chrome	2QBX0086	12
Satin Chrome	2QBX0087	12
Smokey Chrome	2QBX0088	12
Anthracite Grey (RAL7016)	2QBX0089	12

Coastline - Stainless Steel



Grade 304 stainless steel flaps for exceptional corrosion resistance
 Over 1000 hours corrosion resistance (tested in accordance with BS EN 1670)
 Hard wearing stainless steel springs ensure positive opening and closing for years to come
 Both flaps open to a full 180°
 Suits doors from 42-80mm thick
 Draught proofing and integral brush provide full weather proofing
 Supplied with 60mm and 80mm thru-fix screws or can be surface fixed
 Overall size: 325 x 78mm
 Door Prep: 260 x 55mm
 Internal Aperture: 250 x 40mm
 25 year guarantee

Finish	VBH Code	Box Qty
PVD Gold	2QBX0035	12
Polished Stainless Steel	2QBX0037	12
Brushed Stainless Steel	2QBX0039	12



Kappa 6" Victorian Urn Door Knocker With & Without Hole



Finish	Without Hole	With Hole	Box Qty
White (RAL9016)	2QDF0001	2QDF0006	40
Black (RAL9005)	2QDF0002	2QDF0007	40
PVD Gold	2QDF0004	2QDF0009	40
Polished Chrome	2QDF0003	2QDF0008	40
Satin Chrome	2QDF0005	2QDF0010	40
Smokey Chrome	2QDF0021	2QDF0026	40
Enduro Steel	2QDF0022	2QDF0027	40
Antique Black	2QDF0023	2QDF0028	40

Kappa Door Viewers



Description	35-60mm	60-85mm	Box Qty
160° White (RAL9016)	2QDF0101	2QDF0111	1
160° Black (RAL9005)	2QDF0102	2QDF0112	1
160° PVD Gold	2QDF0104	2QDF0114	1
160° Polished Chrome	2QDF0103	2QDF0113	1
160° Satin Chrome	2QDF0105	2QDF0115	1

Kappa Slim Victorian Urn Door Knocker With & Without Hole



Finish	Without Hole	With Hole	Box Qty
White (RAL9016)	2QDF0011	2QDF0016	40
Black (RAL9005)	2QDF0012	2QDF0017	40
PVD Gold	2QDF0014	2QDF0019	40
Polished Chrome	2QDF0013	2QDF0018	40
Satin Chrome	2QDF0015	2QDF0020	40
Smokey Chrome	-	2QDF0036	40
Enduro Steel	2QDF0032	2QDF0037	40
Antique Black	2QDF0033	2QDF0038	40

Kappa Door Viewer Inner Covers

Finish	VBH Code	Box Qty
Black (RAL9005)	2QDF0122	25/100
PVD Gold	2QDF0124	25/100
Polished Chrome	2QDF0123	25/100
Satin Chrome	2QDF0125	25/100

See page 33 for details of our Coastline Stainless Steel Door Knockers

Kappa Pony Tail Knocker



Finish	VBH No	Box Qty
PVD Gold	2QDF0084	40
Polished Chrome	2QDF0083	40
Satin Chrome	2QDF0085	40
Smokey Chrome	2QDF0086	40
Enduro Steel	2QDF0087	40
Antique Black	2QDF0088	40

Kappa Doctor Knocker



Finish	VBH No	Box Qty
PVD Gold	2QDF0064	40
Polished Chrome	2QDF0063	40
Satin Chrome	2QDF0065	40
Smokey Chrome	2QDF0066	40
Enduro Steel	2QDF0067	40
Antique Black	2QDF0068	40

Coastline Stainless Steel 6" Victorian Urn Knocker



Stainless Steel

25 Years



Finish	Without Hole	With Hole	Box Qty
PVD Gold	2QDF0154	2QDF0159	25
Polished Stainless Steel	2QDF0152	2QDF0157	25
Brushed Stainless Steel	2QDF0151	2QDF0156	25

Kappa Door Viewers



10 Years



Description	35-60mm	60-85mm	Box Qty
160° White (RAL9016)	2QDF0101	2QDF0111	1
160° Black (RAL9005)	2QDF0102	2QDF0112	1
160° PVD Gold	2QDF0104	2QDF0114	1
160° Polished Chrome	2QDF0103	2QDF0113	1
160° Satin Chrome	2QDF0105	2QDF0115	1

Kappa Door Viewer Inner Covers



10 Years

Finish	VBH Code	Box Qty
Black (RAL9005)	2QDF0122	25/100
PVD Gold	2QDF0124	25/100
Polished Chrome	2QDF0123	25/100
Satin Chrome	2QDF0125	25/100

Kappa

The greenteQ Suite of matching door, window and patio door furniture has now been expanded with the introduction of Kappa Numerals and Letters.

At 3" high, these are large enough to be seen, but small enough not to dominate.

Manufactured from stainless steel as standard, the parts are finished in 10 finishes, including brushed and polished stainless steel.

As well as Numerals, the Kappa range includes A, B, C and D Letters.

All products are supplied in a sealed bag complete with colour matched fixings.

Benefits at glance:

- Stainless steel construction
- 10 attractive finishes
- Part of the greenteQ Suite
- Numerals and letters (A-D)
- 10 year greenteQ mechanical and surface guarantee



Numerals

Finish	1	2	3	4	5	6/9	7	8	0
White	2QDF0311	2QDF0321	2QDF0331	2QDF0341	2QDF0351	2QDF0361	2QDF0371	2QDF0381	2QDF0301
Black	2QDF0314	2QDF0324	2QDF0334	2QDF0344	2QDF0354	2QDF0364	2QDF0374	2QDF0384	2QDF0304
Anthracite Grey	2QDF0310	2QDF0320	2QDF0330	2QDF0340	2QDF0350	2QDF0360	2QDF0370	2QDF0380	2QDF0300
PVD Gold	2QDF0315	2QDF0325	2QDF0335	2QDF0345	2QDF0355	2QDF0365	2QDF0375	2QDF0385	2QDF0305
Satin Chrome	2QDF0317	2QDF0327	2QDF0337	2QDF0347	2QDF0357	2QDF0367	2QDF0377	2QDF0387	2QDF0307
PVD Smokey Chrome	2QDF0318	2QDF0328	2QDF0338	2QDF0348	2QDF0358	2QDF0368	2QDF0378	2QDF0388	2QDF0308
Enduro Steel	2QDF0312	2QDF0322	2QDF0332	2QDF0342	2QDF0352	2QDF0362	2QDF0372	2QDF0382	2QDF0302
Antique Black	2QDF0313	2QDF0323	2QDF0333	2QDF0343	2QDF0353	2QDF0363	2QDF0373	2QDF0383	2QDF0303
Polished Stainless Steel	2QDF0316	2QDF0326	2QDF0336	2QDF0346	2QDF0356	2QDF0366	2QDF0376	2QDF0386	2QDF0306
Brushed Stainless Steel	2QDF0319	2QDF0329	2QDF0339	2QDF0349	2QDF0359	2QDF0369	2QDF0379	2QDF0389	2QDF0309

Letters

Finish	A	B	C	D
White	2QDF0401	2QDF0411	2QDF0421	2QDF0431
Black	2QDF0404	2QDF0414	2QDF0424	2QDF0434
Anthracite Grey	2QDF0400	2QDF0410	2QDF0420	2QDF0430
PVD Gold	2QDF0405	2QDF0415	2QDF0425	2QDF0435
Satin Chrome	2QDF0407	2QDF0417	2QDF0427	2QDF0437
PVD Smokey Chrome	2QDF0408	2QDF0418	2QDF0428	2QDF0438
Enduro Steel	2QDF0402	2QDF0412	2QDF0422	2QDF0432
Antique Black	2QDF0403	2QDF0413	2QDF0423	2QDF0433
Polished Stainless Steel	2QDF0406	2QDF0416	2QDF0426	2QDF0436
Brushed Stainless Steel	2QDF0409	2QDF0419	2QDF0429	2QDF0439

All numbers and letters are supplied in packs of 20

For Residential and Bi-Fold Patio Doors

Standard Hold-Open Resi-Door Restrictor

Perfect for rebated doors with 12mm air-gap
Nylon hold-open jaw
Friction controlled opening
Opening angle can be pre-set in factory
Austenitic stainless steel arm
Two lengths

Length	VBH Code	Box Qty
335mm	2QMA0102	80
500mm	2QMA0105	50



Slim Hold-Open Resi-Door Restrictor

Perfect for flush composite and timber doors
Restricts door's opening to prevent damage
Stainless steel hold-open spring
Friction controlled opening
Opening angle can be pre-set in factory
Austenitic stainless steel arm
Two lengths

Length	VBH Code	Box Qty
335mm	2QMA0101	80
500mm	2QMA0104	50



Hold-Open Bi-Fold Door Restrictor

Perfect for aluminium bi-fold doors
Restricts door's opening to prevent damage
Nylon hold-open jaw
Damper spring for cushioned closing
Friction controlled opening
Opening angle can be pre-set in factory
Austenitic stainless steel arm
Two lengths

Length	VBH Code	Box Qty
335mm	2QMA0103	80
500mm	2QMA0106	50



Slimfit Door Restrictor

Mild steel arm with adjustable friction
Allows 90° opening (according to positioning)
745mm Length

Description	VBH Code	Box Qty
Slimfit 745mm Restrictor	2QMA0022	25





iQ - Door Lock Range

greenteQ iQ Multipoint Door Locks

The iQ Door Lock from greenteQ is a top quality residential door lock range for single and double doors.

Each lock features a reversible latch, a 25mm throw direct drive central deadbolt and 2 chamfered security hooks that lock out in opposing directions. The hooks and deadbolt all provide security and smooth compression.

iQ locks for doors with a 12mm cavity (typically PVCu, aluminium and rebated timber) also feature a roller cam outboard of each hook to provide additional initial compression. All locking points locate into single piece profile related adjustable keeps or, in the case of composite and flush timber doors, individual adjustable flat keep plates.

The gearbox features a double spindle arrangement set at 92/62mm centres, so iQ is suitable for both lever/lever and lever/pad operation via long backplate handle sets, such as greenteQ Alpha and Coastline.

The 12mm cavity options have a 16mm faceplate. The 550 centre version can be cropped to accept vertical shootbolts for double doors and covers sash heights from 1685 (with reduced handle height) to 2200mm.

The Composite Door version has 750mm centres between the hooks, with a 20mm radiused end non-crop faceplate and 45mm backset dimension.

All faceplates and keeps are silver passivated mild steel, achieving BS EN 1670 Grade 4 neutral salt spray testing.

Latch reversal is carried out from the front using a PH1 manual screwdriver.

iQ is ideal for consumers who are keen to integrate their doors into a smart home network, as all are supplied ready to work with the Kubu® Home Hub. See page 41 for more details

With Kubu® enabled locks, the user can quickly check on the locked status of their doors via an easy to use app. The app will tell the user at a glance if the door is locked or insecure. The user can set reminders, and get alerts whenever a door is opened or closed. They can also check on the open/close history of a door. Doors can be 'shared' with other people and Kubu® also works with devices such as Amazon Alexa or Google Assistant to link to other connected smart products around the home, such as lighting or cameras etc.

iQ locks can be used as a standard multipoint lock if desired. When the consumer decides to 'go smart', they simply need to purchase a Kubu® Home Hub kit and a sensor kit for each door, direct from Kubu® via www.kubu-home.com.

The sensor simply slots into place in the receiver pocket in the lock's faceplate. The user then downloads an app to connect their door to the Hub. The sensor works to determine the status of the locking points and this info is sent to the Hub, which in turn makes the information available via the app.

Door Locks For PVCu Residential Doors



greenteQ

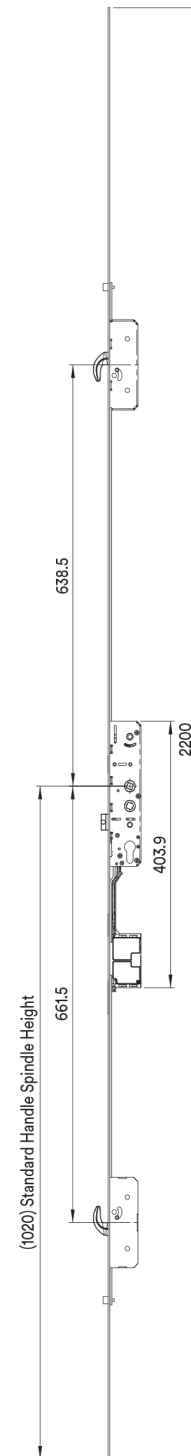
iQ 650 Door Lock for Single Doors - Works with Kubu®

- 2 opposing hooks, 2 cams, latch and deadbolt
- Smart network enabled thanks to Kubu® connectivity
- Can be used as a standard lock
- Tested to PAS24:2016
- Lever/lever or lever/pad operation (92/62 PZ)
- 240 hours salt spray test results
- Quick to fit
- 10 year greenteQ performance guarantee
- Q-secure PREMIUM product

Description	VBH Code	Box Qty
650 Door Lock F16/35	3QDL3503	300

Profile Specific Striker Plates	VBH Code	Box Qty
LH 650 One-Piece Striker Plate	3QDL - - - -	10
RH 650 One-Piece Striker Plate	3QDL - - - -	10

Please note that the top screw to spindle hole dimension is 75mm.
Short backplate handles are not suitable.



*Please refer to the VBH Profile Related Items List for details of keeps to suit each system. Note that the handing of the keep is determined by the side that the hinges are fitted, viewed from inside, and assume an inward opening door. i.e. if the hinges are on the right VFI on an inward opening door, choose a RH keep. If the door is outward opening, select a LH keep.

Door Locks For PVCu Residential Doors



greenteQ

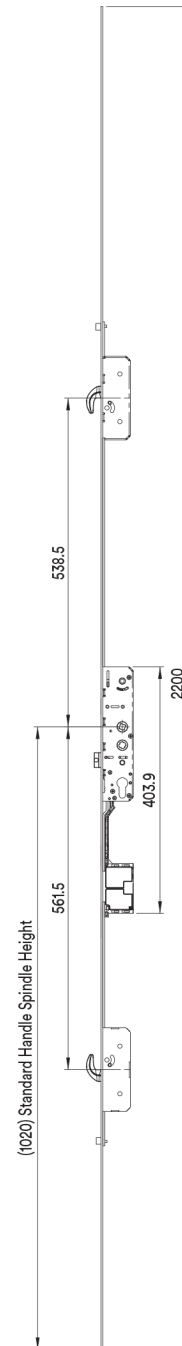
iQ 550 Extendable Door Lock for Single & Double Doors - Works with Kubu®

- 2 opposing hooks, 2 cams, latch and deadbolt
- Extendable to accept shootbolts
- Smart network enabled thanks to Kubu® connectivity
- Can be used as a standard lock
- Tested to PAS24:2016
- Lever/lever or lever/pad operation (92/62 PZ)
- 240 hours salt spray test results
- Quick to fit
- 10 year greenteQ performance guarantee
- Q-secure PREMIUM product

Description	VBH Code	Box Qty
550 Extendable Door Lock F16/35	3QDL3502	300
Vertical Individual Top or Bottom Shootbolt	3QDL3521	100
Vertical Individual Low Threshold Shootbolt	3QDL3522	80

Profile Specific Striker Plates*	VBH Code	Box Qty
LH 550 One-Piece Striker Plate	3QDL - - - -	10
RH 550 One-Piece Striker Plate	3QDL - - - -	10
Double Slot Shootbolt Keep**	3QDL - - - -	100

Please note that the top screw to spindle hole dimension is 75mm.
Short backplate handles are not suitable.



*Please refer to the VBH Profile Related Items List for details of keeps to suit each system. Note that the handing of the keep is determined by the side that the hinges are fitted, viewed from inside, and assume an inward opening door. i.e. if the hinges are on the right VFI on an inward opening door, choose a RH keep. If the door is outward opening, select a LH keep.

**Additional Support Blocks should be fitted to Low Threshold PAS24 doors. See VBH Profile Related Items List for details.

Door Locks For PVCu Double Doors



greenteQ

iQ 550 Extendable Door Locks for Double Doors

Active sash - 2 opposing hooks, 2 cams, 2 shootbolts, latch and deadbolts - Works with Kubu®

Passive sash - Extendable to accept shootbolts

Can be used as a standard lock

Tested to PAS24:2016

Lever/lever or lever/pad operation (92/62 PZ)

240 hours salt spray test results

Quick to fit

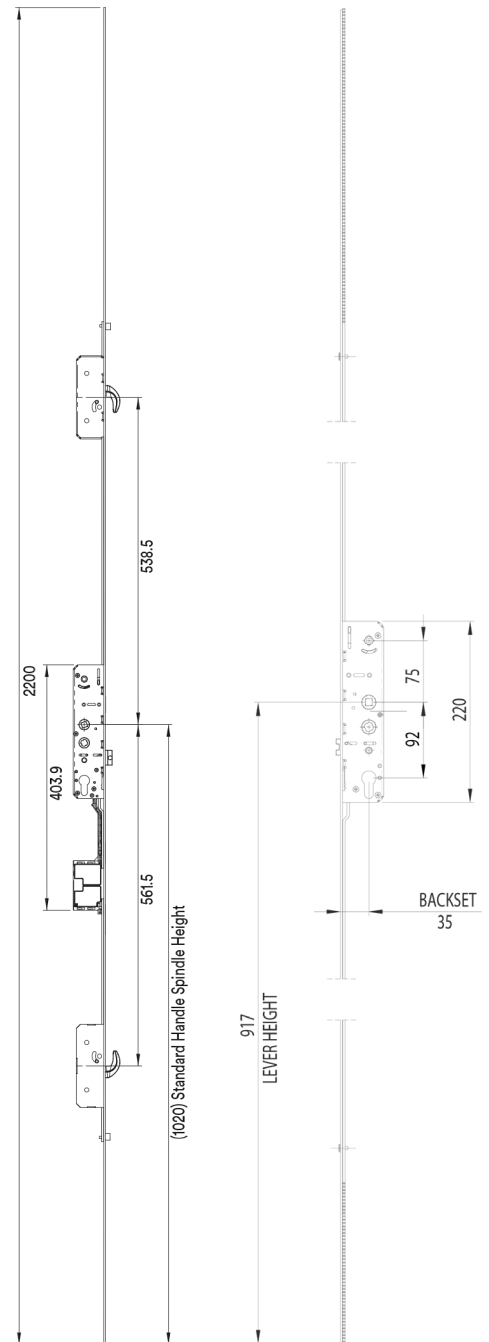
10 year greenteQ performance guarantee

Q-secure PREMIUM product

Description	VBH Code	Box Qty
550 Extendable Active Door Lock F16/35	3QDL3502	300
550 Extendable Passive Door Lock F16/35	3QDL3505	300
Vertical Individual Top or Bottom Shootbolt	3QDL3521	100
Vertical Individual Low Threshold Shootbolt	3QDL3522	80

Profile Specific Striker Plates*	VBH Code	Box Qty
LH 550 One - Piece Striker Plate	3QDL - - - -	10
RH 550 One - Piece Striker Plate	3QDL - - - -	10
Double Slot Shootbolt Keep**	3QDL - - - -	100

Please note that the top screw to spindle hole dimension is 75mm. Short backplate handles are not suitable.



*Please refer to the VBH Profile Related Items List for details of keeps to suit each system. Note that the handing of the keep is determined by the side that the hinges are fitted, viewed from inside, and assume an inward opening door. i.e. if the hinges are on the right VFI on an inward opening door, choose a RH keep. If the door is outward opening, select a LH keep.

**Additional Support Blocks should be fitted to Low Threshold PAS24 doors. See VBH Profile Related Items List for details.

Door Locks

For Composite and Flush Timber Residential Doors



greenteQ

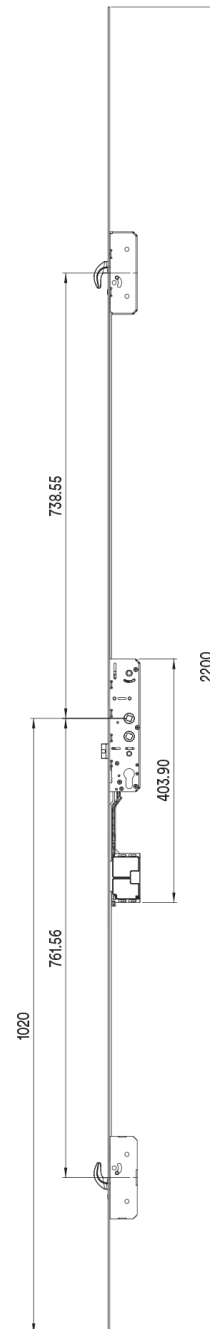
iQ 750 Door Lock for Single Doors - Works with Kubu®

- 2 opposing hooks, latch and deadbolt
- 20mm radiused end faceplate
- Smart network enabled thanks to Kubu® connectivity
- Can be used as a standard lock
- Tested to PAS24:2016
- Lever/lever or lever/pad operation (92/62 PZ)
- 240 hours salt spray test results
- Quick to fit
- 10 year greenteQ performance guarantee
- Q-secure PREMIUM product

Description	VBH Code	Box Qty
750 Door Lock F20/45	3QDL3516	300

Adjustable Striker Plates	VBH Code	Box Qty
LH Centre Keep	3QDL3681	100
RH Centre Keep	3QDL3682	100
Hook Keep	3QDL3683	100

Please note that the top screw to spindle hole dimension is 75mm.
Short backplate handles are not suitable.



Note that the handing of the keep is determined by the side that the hinges are fitted, viewed from inside, and assume an inward opening door. i.e if the hinges are on the right VFI on an inward opening door, choose a RH keep. If the door is outward opening, select a LH keep.



iQ - Works with Kubu®

Information about the Kubu Hub

iQ locks are Kubu®-ready, so doors (and windows) fitted with them can be easily linked to a Kubu® Home Hub to add them to a smart home network. But they don't have to be. It is entirely the choice of the home owner. They can decide to link at any time. All they need to do is buy a Kubu® hub and sensors direct from www.kubu-home.com, download the app, and connect.

When the lock is linked to the hub, the user can quickly check on the locked status of their doors via the app. They can set the app to send alerts when a door is opened or if it is being tampered with, and users with linked windows can get reminders to close them at night. Users can check on the open/close history of a door, and even share their doors and windows with friends and family, so they can keep a remote eye their homes, too.

There are a whole host of other benefits available, including linking doors to other connected devices around the home, such as lighting and heating, via Amazon Alexa, Google Assistant etc.

Benefits of Kubu® connection at a glance:

- Kubu® links doors (and windows) to a smart home network, allowing the user to check on the security status of the home via a phone app. It can also be linked to other connected devices around the home via Alexa, Assistant etc.
- As well as Kubu® enabled door locks, the greenteQ iQ range also includes security window espagnolette locks.
- The Kubu® Hub will allow the user to connect up to 20 casement sashes and 10 doors, offering peace of mind across the home.
- The Hub's range is around 25m, so it should be more than adequate for most homes. If necessary, a second Hub could be purchased.
- All Kubu® sensors are powered by standard cell batteries which will typically give a life of around 18months. They will alert via the app when they need to be replaced.
- Kubu® Hubs and accessories should be purchased direct from Kubu® via www.kubu-home.com.

Orion 3 Star TS007 Security Cylinder*

TS007 Kitemark 3 star profile cylinder (KM591531)*

Protects against bumping, drilling, picking and snap & extract*

Supplied with 5 attractive dimple keys

Minimum 100,000 differs

Key/key, thumb-turn and keyed alike

Non - TS007 half cylinders can be keyed alike with TS007 Orion

10 year performance warranty

proteQ10 guarantee pays out £2000 if a break in is achieved as a direct result of the cylinder snapping*

Key Security Scheme provides protection against keys being fraudulently obtained

Rated as a Q-secure PREMIUM product*



Key/Key Double Cylinders c/w 5 Keys

Size	Nickel	Brass	Box Qty
35/35	2QCY5015	2QCY5016	10
35/45	2QCY5019	-	10
40/40	2QCY5027	2QCY5028	10
40/45	2QCY5029	-	10
40/50	2QCY5031	2QCY5032	10
40/55	2QCY5033	-	10
45/35	2QCY5119	-	10
45/40	2QCY5129	-	10
45/45	2QCY5037	2QCY5038	10
45/50	2QCY5039	2QCY5040	10
45/55	2QCY5041	-	10
45/60	2QCY5043	2QCY5044	10
50/40	2QCY5131	2QCY5132	10
50/45	2QCY5139	2QCY5140	10
50/50	2QCY5045	2QCY5046	10
55/40	2QCY5133	-	10
55/45	2QCY5141	-	10
55/65	2QCY5065	2QCY5066	10
60/45	2QCY5143	2QCY5144	10
65/55	2QCY5165	2QCY5166	10

Keyed Alike Pairs (2 Double Cylinders c/w 6 keys)

Size	Nickel	Box Qty
35/35	2QCY5515	5 Pr
40/50	2QCY5531	5 Pr
45/50	2QCY5539	5 Pr
50/40	2QCY5631	5 Pr
50/45	2QCY5639	5 Pr
50/50	2QCY5545	5 Pr

Half Cylinders

(Basic security as for internal use only.
Not covered by TS007 Kitemark)

Size	Nickel	Box Qty
-/35	2QCY5315A	10
-/40	2QCY5327A	10
-/45	2QCY5337A	10
-/50	2QCY5345A	10

Thumb-Turn Double Cylinders c/w 5 Keys

K denotes thumb-turn (Knob) side

Size	Nickel	Brass	Box Qty
K35/35	2QCY5715	-	10
K35/45	2QCY5719	-	10
K35/55	2QCY5723	-	10
K40/40	2QCY5727	2QCY5728	10
K40/50	2QCY5731	-	10
K45/35	2QCY5819	-	10
K45/45	2QCY5737	-	10
K45/50	2QCY5739	2QCY5740	10
K45/55	2QCY5741	-	10
K50/40	2QCY5831	-	10
K50/45	2QCY5839	2QCY5840	10
K50/50	2QCY5745	-	10

Key Blanks

Description	VBH Code	Box Qty
Orion Key Blank	2QCY5051	100

*Does not apply to half cylinders. These are not covered by Kitemark TS007, proteQ10 or Q-secure

Profile Cylinders TS007



greenteQ

Q-Star - 1 Star TS007 Security Cylinder

TS007:2014 1 Star kitemark approved (KM591531)
 Provides full TS007 3 star protection when used with a 2 star handle
 EN1303 classification 16000C52
 Both ends feature specially designed tumblers and hardened pins to protect against bumping, picking and drilling
 Sacrificial break points to hamper attempts to snap and remove the cylinder
 Fit with an accredited 2 star handle for full 3 star protection
 Clearly identified as a TS007 1 star cylinder
 10 year greenteQ guarantee
 Covered by the Q-secure security guarantee



Key/Key Double Cylinder c/w 3 Keys

Size	Nickel	Brass	Box Qty
32/32	2QCY1001	-	10
32/40	2QCY1005	-	10
32/45	2QCY1007	-	10
32/50	2QCY1009	-	10
32/60	2QCY1013	-	10
32/70	2QCY1059	-	10
35/35	2QCY1015	2QCY1016	10
35/40	2QCY1017	-	10
35/45	2QCY1019	2QCY1020	10
35/50	2QCY1021	2QCY1022	10
35/55	2QCY1023	2QCY1024	10
40/40	2QCY1027	2QCY1028	10
40/45	2QCY1029	2QCY1030	10
40/50	2QCY1031	2QCY1032	10
40/55	2QCY1033	2QCY1034	10
40/60	2QCY1035	2QCY1036	10
45/45	2QCY1037	2QCY1038	10
45/50	2QCY1039	2QCY1040	10
45/55	2QCY1041	2QCY1042	10
50/50	2QCY1045	2QCY1046	10

Key Blanks

Description	VBH Code	Box Qty
Key Blank	2QCY0051	200
Key Blank Short	2QCY0052	250

Q-Star - 1 Star TS007 Security Cylinder



Thumb Turn/Key Double Cylinders c/w 3 Keys

K denotes thumb-turn (Knob) side

Size	Nickel	Brass	Box Qty
K32/32	2QCY1701	-	10
K32/70	2QCY1759	-	10
K35/35	2QCY1715	2QCY1716	10
K35/45	2QCY1719	-	10
K35/55	2QCY1723	-	10
K40/40	2QCY1727	2QCY1728	10

Size	Nickel	Brass	Box Qty
K40/45	2QCY1729	-	10
K40/50	2QCY1731	2QCY1732	10
K40/55	2QCY1733	2QCY1734	10
K40/60	2QCY1735	-	10
K45/40	2QCY1829	-	10
K45/45	2QCY1737	2QCY1738	10
K45/50	2QCY1739	2QCY1740	10
K45/55	2QCY1741	2QCY1742	10

Size	Nickel	Brass	Box Qty
K50/40	2QCY1831	2QCY1832	10
K50/45	2QCY1839	2QCY1840	10
K50/50	2QCY1745	2QCY1746	10
K55/35	2QCY1823	2QCY1824	10
K55/40	2QCY1833	2QCY1834	10
K55/45	2QCY1841	2QCY1842	10
K60/40	2QCY1835	-	10
K65/32	2QCY1855	-	10



Keyed Alike Pairs (2 Double Cylinders c/w 6 keys)

Size	Nickel	Brass	Box Qty
32/50	2QCY1509	-	5 Pr
32/55	2QCY1507	-	5 Pr
35/35	2QCY1515	2QCY1516	5 Pr
35/50	2QCY1521	-	5 Pr
35/55	2QCY1523	2QCY1524	5 Pr

Size	Nickel	Brass	Box Qty
40/40	2QCY1527	2QCY1528	5 Pr
40/45	2QCY1529	-	5 Pr
40/50	2QCY1539	2QCY1540	5 Pr
40/55	2QCY1533	-	5 Pr

Size	Nickel	Brass	Box Qty
45/45	2QCY1537	2QCY1538	5 Pr
45/50	2QCY1531	2QCY1532	5 Pr
45/55	2QCY1541	2QCY1542	5 Pr
50/50	2QCY1545	2QCY1546	5 Pr

Key Blanks

Description	VBH Code	Box Qty
Key Blank	2QCY0051	200
Key Blank Short	2QCY0052	250

Gamma

6 pin anti-drill/anti-pick

Over 100,000 differs

EN1303 classification 16000C62

Open profile - replacement keys available from high street

Supplied with 3 keys (except keyed alike pairs, which have 6)



Gamma Key/Key Double Cylinder

Size	Nickel	Brass	Box Qty
32/32	2QCY0001	-	10
32/45	2QCY0007	-	10
32/50	2QCY0009	-	10
32/60	2QCY0013	-	10
32/65	2QCY0055	-	10
35/35	2QCY0015	2QCY0016	10
35/40	2QCY0017	-	10
35/45	2QCY0019	2QCY0020	10
35/50	2QCY0021	2QCY0022	10
35/55	2QCY0023	2QCY0024	10
35/60	2QCY0025	-	10
35/65	2QCY0057	-	10
40/40	2QCY0027	2QCY0028	10
40/45	2QCY0029	2QCY0030	10
40/50	2QCY0031	2QCY0032	10
40/55	2QCY0033	2QCY0034	10
40/60	2QCY0035	-	10
45/45	2QCY0037	2QCY0038	10
45/50	2QCY0039	2QCY0040	10
45/55	2QCY0041	2QCY0042	10
45/60	2QCY0043	-	10
50/50	2QCY0045	2QCY0046	10

Gamma Keyed Alike Pairs

Supplied in pairs complete with 6 keys

Size	Nickel	Brass	Box Qty
-/45	2QCY0341	-	5 Pr
-/50	2QCY0349	-	5 Pr
32/45	2QCY0507	-	5 Pr
35/35	2QCY0515	2QCY0516	5 Pr
40/40	2QCY0527	2QCY0528	5 Pr
40/45	2QCY0529	2QCY0530	5 Pr
40/50	2QCY0539	-	5 Pr
40/55	2QCY0533	2QCY0534	5 Pr
45/45	2QCY0537	2QCY0538	5 Pr
45/50	2QCY0531	2QCY0532	5 Pr
45/55	2QCY0541	2QCY0542	5 Pr
50/50	2QCY0545	2QCY0546	5 Pr

Gamma Half Cylinder

Size	Nickel	Brass	Box Qty
-/32	2QCY0301	-	10
-/35	2QCY0315	2QCY0316	10
-/40	2QCY0327	2QCY0328	10
-/45	2QCY0337	2QCY0338	10
-/50	2QCY0345	-	10
-/K40	2QCY0329	2QCY0330	10
-/K55	2QCY0353	2QCY0354	10

Key Blanks

Description	VBH Code	Box Qty
Key Blank	2QCY0051	100
Key Blank Short	2QCY0052	100

Gamma Thumb Turn Double Cylinder

K denotes thumb turn (knob) side

Size	Nickel	Brass	Box Qty
K32/32	2QCY0701	-	10
K32/65	2QCY0755	-	10
K32/70	2QCY0759	-	10
K35/32	2QCY0803	-	10
K35/35	2QCY0715	2QCY0716	10
K35/45	2QCY0719	-	10
K35/55	2QCY0723	2QCY0724	10
K40/40	2QCY0727	2QCY0728	10
K40/45	2QCY0729	2QCY0730	10
K40/50	2QCY0731	2QCY0732	10
K40/55	2QCY0733	2QCY0734	10
K40/60	2QCY0735	2QCY0736	10
K45/40	2QCY0829	2QCY0830	10
K45/45	2QCY0737	2QCY0738	10
K45/50	2QCY0739	2QCY0740	10
K45/55	2QCY0741	2QCY0742	10
K50/40	2QCY0831	2QCY0832	10
K50/45	2QCY0839	2QCY0840	10
K50/50	2QCY0745	2QCY0746	10
K55/40	2QCY0833	2QCY0834	10
K55/45	2QCY0841	2QCY0842	10
K55/50	2QCY0849	-	10
K60/40	2QCY0835	2QCY0836	10
K65/32	2QCY0855	-	10
K70/32	2QCY0859	-	10

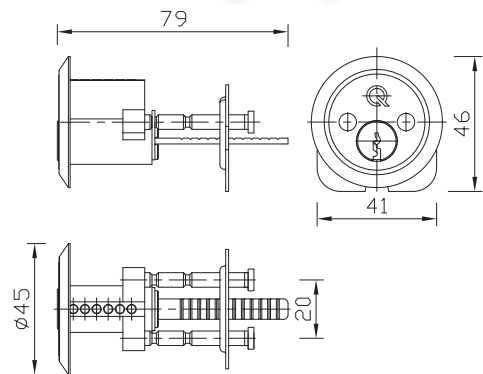
Gamma

Can be keyed alike with Gamma profile cylinders to provide a 'whole house suite'
 6 pins for improved security
 Supplied with 3 greenteQ 'Q' branded keys
 Compatible with most readily available night latches
 Available in attractive nickel and brass finishes with subtle 'Q' branding
 Open profile means keys can be purchased and cut at high street heel bar
 Covered by the 10 year greenteQ guarantee

Description	VBH Code	Box Qty
Gamma Rim Latch Cylinder Nickel	2QCY0101	10
Gamma Rim Latch Cylinder Brass	2QCY0102	10

Key Blank

Description	VBH Code	Box Qty
Gamma Key Blank	2QCY0051	100

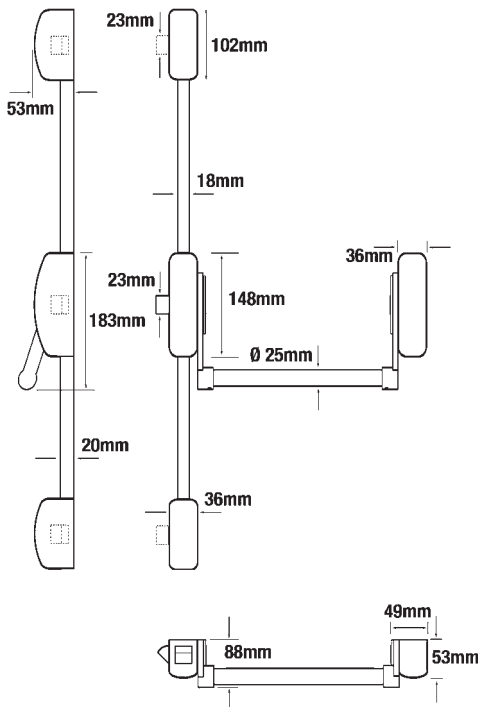


Anti Panic

Suitable for PVCu, timber and aluminium single and double doors
 Tested, certified and CE marked to BS EN1125:2008 (Cross-Arms)
 Tested, certified and CE marked to BS EN179:2008 (Push-Pads)
 Silver and white available from stock
 Non-handed for reduced stock holding
 Push-Pad features photoluminescent pad



Cross-Arm 1 & 3 Point Panic Latch

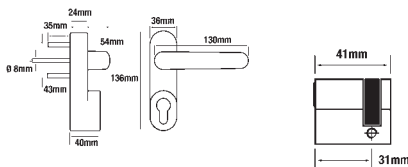


Meets the requirements of BS EN 1125:2008 + EC1:2009
 Classification No.377B1422AA

Description	VBH Code	Box Qty
1 Point Panic Latch Silver (Cross-Arm) *	4QPG0001	1
1 Point Panic Latch White (Cross-Arm) *	4QPG0002	1
3 Point Panic Latch Silver (Cross-Arm) *	4QPG0011	1
3 Point Panic Latch White (Cross-Arm) *	4QPG0012	1

Use Frame Striker for all latches

Outside Access Device

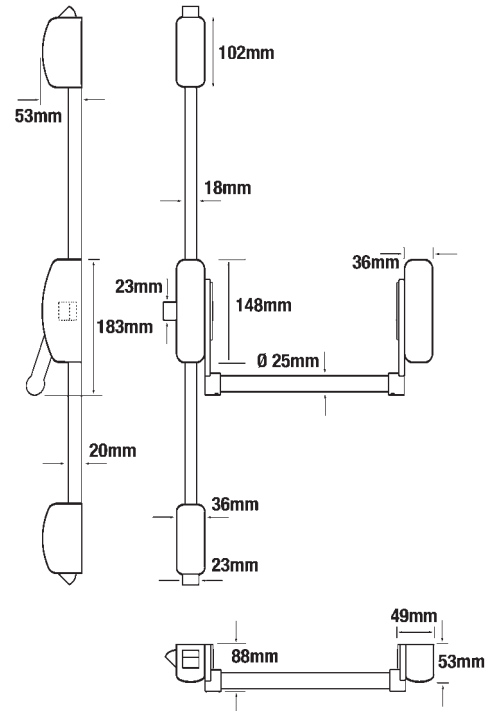


Comprises lever handle and 31mm half profile cylinder. Operation of internal arm always overrides locked state to allow exit

Description	VBH Code	Box Qty
Outside Access Device Silver	4QPG0085	1
Outside Access Device White	4QPG0086	1
Outside Access Device Black	4QPG0087	1

* Suitable for Sash Width up to 1050mm.
 Please Select an Additional Cross Arm for Doors Between 1051-1450mm
 ** Contact VBH for profile related parts specification.

Cross-Arm 3 Point Panic Bolt



Meets the requirements of BS EN 1125:2008 + EC1:2009
 Classification No.377B1422AA

Centre latch can be blanked off to provide 2 point locking

Description	VBH Code	Box Qty
3 Point Panic Bolt Silver (Cross-Arm) *	4QPG0021	1
3 Point Panic Bolt White (Cross-Arm) *	4QPG0022	1

Use Frame Striker for horizontal and vertical latches locking onto frame. Use floor striker 4QPG0123 for bottom vertical latch

Extra-wide Cross Arm

(To be ordered in addition to standard set)

Length	Silver	White	Box Qty
1150mm	4QPG0062	4QPG0064	1
1450mm	4QPG0063	4QPG0065	1

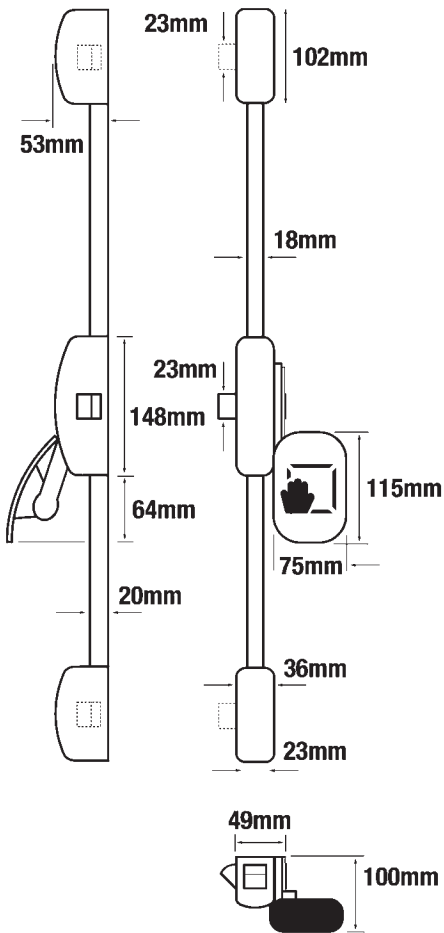
Striker Plates

Striker plates should be ordered separately. Please contact VBH or visit www.vbhgb.com for the correct codes for your system

Description	VBH Code	Box Qty
Floor Striker Stainless Steel	4QPG0123	1
Profile Related Frame Striker**	4QPG - - - -	1

If a double door kit is required simply order 1 x Panic Bolt AND 1 x Panic Latch

Push-Pad 1 & 3 Point Latch

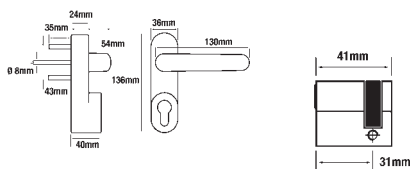


Meets the requirements of BS EN 179:2008
Meets the Classification No.377B1442BA

Description	VBH Code	Box Qty
3 Point Panic Latch Silver (Pad)	4QPG0041	1
3 Point Panic Latch White (Pad)	4QPG0042	1

Use Frame Striker for all latches

Outside Access Device

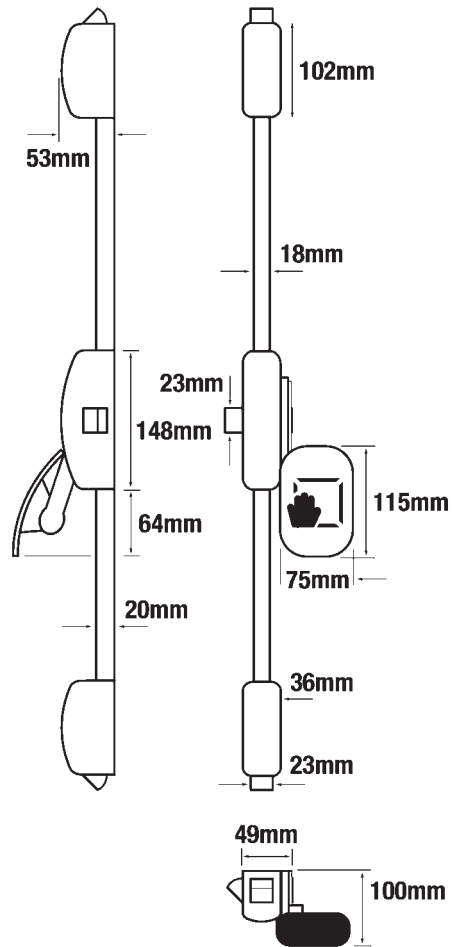


Comprises lever handle and 31mm half profile cylinder. Operation of internal pad always overrides locked state to allow exit

Description	VBH Code	Box Qty
Outside Access Device Silver	4QPG0085	1
Outside Access Device White	4QPG0086	1
Outside Access Device Black	4QPG0087	1

* Contact VBH for profile related parts specification

Push-Pad 3 Point Bolt



Meets the requirements of BS EN 179:2008
Classification No.377B1442BA
Centre latch can be blanked off to provide 2 point locking

Description	VBH Code	Box Qty
3 Point Panic Bolt Silver (Pad)	4QPG0051	1
3 Point Panic Bolt White (Pad)	4QPG0052	1

Use Frame Striker for horizontal and vertical latches locking onto frame. Use floor striker 4QPG0123 for bottom vertical latch

Striker Plates

Striker plates should be ordered separately. Please contact VBH or visit www.vbhg.com for the correct codes for your system

Description	VBH Code	Box Qty
Floor Striker Stainless Steel	4QPG0123	1
Profile Related Frame Striker*	4QPG - - - -	1

If a double door kit is required simply order 1 x Panic Bolt AND 1 x Panic Latch

Bi-Fold Patio Door Hardware

Clearspan Bi-Fold Gear to Suit A.L.U.K. Doors	51
Clearspan Passage Door Lock Kit to Suit A.L.U.K. Doors	52
Clearspan Intermediate Door Lock Kit to Suit A.L.U.K. Doors	53
Clearspan Bi-Fold Gear to Suit Reynaers Doors	55
Clearspan Bi-Fold Gear to Suit Sheerline Doors	56
Clearspan Intermediate Door Lock Kit to Suit Sheerline Doors	57
Clearspan Bi-Fold Gear to Suit Smarts Doors	58
Clearspan Passage Door Lock Kit to Suit Smarts Doors	59 - 60
Clearspan Intermediate Door Lock Kit to Suit Smarts Doors	61
Clearline Magnetic Catches	62
Aspire Handle for Intermediate Door Lock	63
CentreFold Lockable Handle for Intermediate Door Lock	64
SlimFold Handle Options for Intermediate Door Lock	65
Alpha SLIM 92PZ Lever/Lever Set for Passage Door	10
SecuriFold Foldaway 92PZ Lever/Lever Set for Passage Door	12
Aspire Sprung Levers and Escutcheons	13

Inline Sliding Patio Door Hardware

Clearslide Stainless Steel Patio Door Lock	66 - 67
Alpha P-Handle Options for Sliding Doors	68
Coastline Stainless Steel P-Handle Options for Sliding Doors	69

Lift/Slide Patio Door Hardware

Clearlift Lift/Slide Patio Door Hardware to Suit Reynaers Doors	70 - 71
Aspire Handles for Lift/Slide Patio Doors	72
Aspire Finger Pulls for Lift/Slide Patio Doors	72
Screws and Spindles for Aspire Lift/Slide Handles	73

Tilt/Slide Patio Door Hardware

Galileo Manual Tilt/Slide Door Hardware	74 - 76
BTG10 Internal/External Handle Options	77



Bi-Fold Door Hardware greenteQ

Image courtesy of Climatec Windows Ltd

Clearspan

greenteQ Clearspan allows specifiers to design, and door manufacturers to build, slimline bi-fold doors with minimal visible hardware.

The roller assemblies and hinges are fixed into the door rebates rather than face-fixed to the sash and frame, with only the hinge knuckles showing when the door is closed. The rollers and guides run in top and bottom tracks which are neatly encapsulated within the frame. Brushes on the roller assembly clear away any dust or dirt that gathers in the track to ensure a smooth sliding operation.

Perfect operation is further aided by the 5mm vertical adjustment provided through the roller on most systems.

Clearspan hardware is available in various finishes, depending on which system is used.

greenteQ Clearspan hardware suits all common bi-fold layouts (330, 321, 431 etc) and can carry individual sash weights up to 120Kg.

greenteQ Clearspan hardware is designed with the end user, the installer and manufacturer in mind. Therefore, the rollers and hinges are configured to fit each profile system specifically. This means that the parts locate on the door with no or minimal routing, depending on the profile.

Clearspan has been tested at BSI to the PAS24 security standard. Installations using our PAS24 spec can be demonstrated as being compliant to Building Control Document Q. Clearspan is also covered under our comprehensive Q-secure hardware guarantee.

greenteQ Clearspan is covered by the greenteQ 10 year guarantee.

Benefits at a glance:

- Slimline design as hardware is fixed into door rebates rather than surface fit
- Only hinge knuckles visible when closed
- Suitable for inward and outward opening doors with same hardware
- 120Kg sash weight
- 5mm vertical adjustment on most systems
- Integrated brushes clear dirt from bottom track
- No, or minimal, routing depending on profile
- All common schemes can be accommodated

Bi-Fold Door Hardware Clearspan Hardware for A.L.U.K. B.S.F.7.0.



greenteQ

Top Guide



Finish	VBH Code	Box Qty
White RAL9016	4QBF1201	10
Black RAL9005	4QBF1202	10
Anthracite Grey RAL7016	4QBF1203	10
Silver RAL7040	4QBF1204	10

Bottom Roller



Finish	VBH Code	Box Qty
White RAL9016	4QBF1231	10
Black RAL9005	4QBF1232	10
Anthracite Grey RAL7016	4QBF1233	10
Silver RAL7040	4QBF1234	10

Accessories

Description	VBH Code	Box Qty
Fixing Kit	4QBF1281	1
Floating Block	4QBF1291	1

Hinge with Pull Handle



Finish	VBH Code	Box Qty
White RAL9016	4QBF1271	25
Black RAL9005	4QBF1272	25
Anthracite Grey RAL7016	4QBF1273	25
Silver RAL7040	4QBF1274	25

Hinge



Finish	VBH Code	Box Qty
White RAL9016	4QBF1261	50
Black RAL9005	4QBF1262	50
Anthracite Grey RAL7016	4QBF1263	50
Silver RAL7040	4QBF1264	50

Security Accessories

Description	VBH Code	Box Qty
Security Fixing Kit (Replaces 4QBF1281)	4QBF1282S	150
Anti-Lift Block (4 Required at Each Sash - Sash Meeting Point)	4QBF1270	500

Bi-Fold Door Lock Clearspan Hardware for A.L.U.K. B.S.F.7.0.



Lock Kit for Bi-Fold Door

Our Lock Kit for bi-fold doors features a top quality Yale door lock. It is the ideal partner for Clearspan bi-fold door hardware.

The 28mm backset lock provides effective locking and compression through a latch and central deadbolt, 2 hooks and 2 linear bolts

Perfect compression is ensured by profile related packers. To position the striker plates.

Ordering is simple as the lock, striker plates and packers are all supplied as a Yale Lock Kit under a single part number.

The correct handing is determined as follows;

LH Kit = LEFT hand hung OUTWARD or RIGHT hand hung INWARD opening door viewed from outside

RH Kit = RIGHT hand hung OUTWARD or LEFT hand hung INWARD opening door viewed from outside

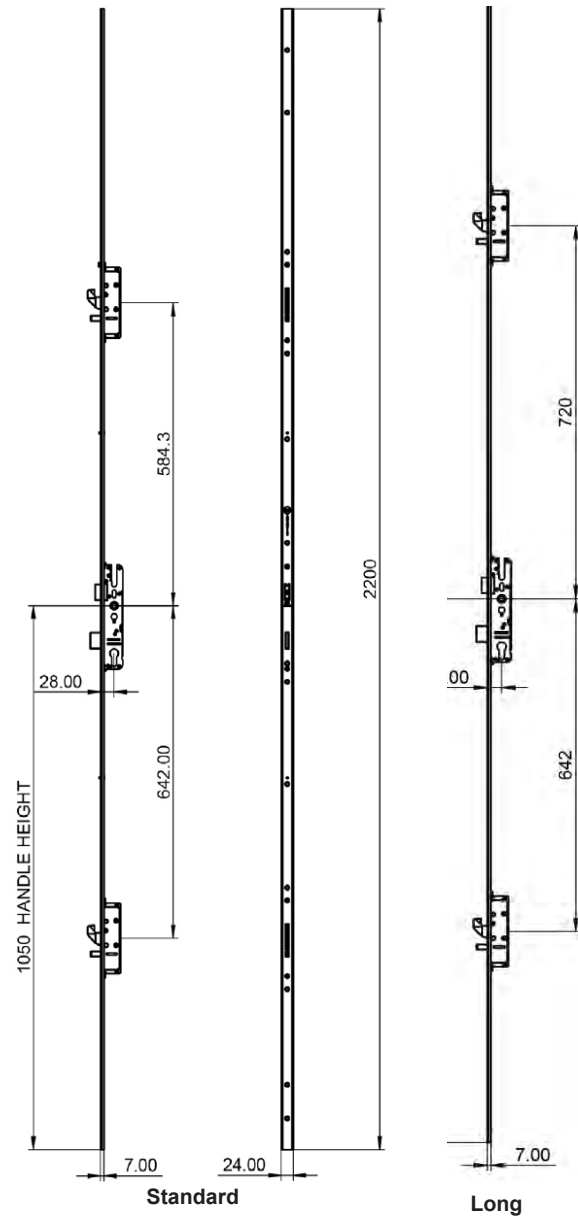
Benefits at a glance:

- Tapered hooks provide security and smooth closing
- Hook/linear bolt combination locking points provide excellent security
- Benefits from strong Yale branding
- Perfect partner for Clearspan bi-fold hardware
- Easy ordering with just one part number
- Standard and long locks available

Description	VBH Code
LH Yale Lock Kit Standard	4QBF1221
RH Yale Lock Kit Standard	4QBF1222
LH Yale Lock Kit Long	4QBF1223
RH Yale Lock Kit Long	4QBF1224

Note: These lock kits must be used on PAS24 spec Clearspan Bi-Fold Doors

They are also recommended for standard Bi-Fold Doors.



Bi-Fold Door Hardware

Clearspan Standard Hardware For A.L.U.K. B.S.F.7.0.

Clearspan Intermediate Lock

Locking system for intermediate meeting points
 Robust gearbox is covered by attractive black Q-branded cover
 Shootbolt ends are pre-assembled onto strong 8mm threaded rod
 Shootbolt end is tapered for smooth lead-in
 22mm bolt throw
 Standard and Security options

Standard Option

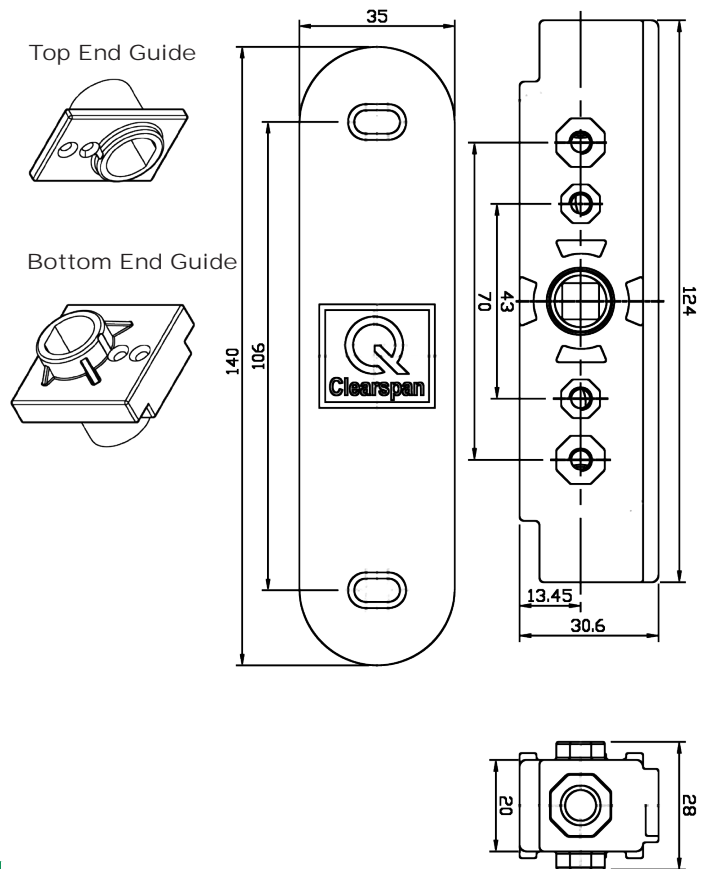
Description	VBH Code	Box Qty
Intermediate Gearbox	4QBF1251	24
Intermediate Gearbox Cover (Black)	4QBF1252	100
1300mm Shootbolt Rod Assembly	4QBF1255	100
1300mm Shootbolt Rod Assembly Security	4QBF1257	100
Shootbolt Top End Guide Standard	4QBF1253	100
Shootbolt Bottom End Guide Standard	4QBF1254	100

One set comprises 1 x gearbox, 1 x gearbox cover, 2 shootbolt rods and a top and bottom end guide

Intermediate Lock - Kits and Bulk

We also supply the Intermediate Lock System in kits and bulk quantities. By ordering using the codes below you will receive either 5 sets individually packed in kits, or enough components to gear 25 sashes.

Description	VBH Code	Unit Qty
Standard Individual Kit x 5	4QBF1225	5 Kits
Standard Bulk Packed Sets x 25	4QBF1226	25 Sets



Bi-Fold Door Hardware Clearspan Hardware for Reynaers CF68

10
Years

greenteQ

Top Guide



Finish	VBH Code	Box Qty
White RAL9016	4QBF1301	10
Black RAL9005	4QBF1302	10
Anthracite Grey RAL7016	4QBF1303	10

Bottom Roller



Finish	VBH Code	Box Qty
White RAL9016	4QBF1331	10
Black RAL9005	4QBF1332	10
Anthracite Grey RAL7016	4QBF1333	10

Hinge



Finish	VBH Code	Box Qty
White RAL9016	4QBF1361	50
Black RAL9005	4QBF1362	50
Anthracite Grey RAL7016	4QBF1363	50

Hinge with Pull Handle



Finish	VBH Code	Box Qty
White RAL9016	4QBF1371	25
Black RAL9005	4QBF1372	25
Anthracite Grey RAL7016	4QBF1373	25

Bi-fold Door Hardware

Clearspan Hardware for Sheerline Bi-Fold Doors



10
Years

greenteQ

Top Guide and Bottom Roller



Description	White RAL9016	Black RAL9005	Anth.Grey RAL7016	Box Qty
Top Guide	4QBF1701 (SBF 610W)	4QBF1702 (SBF610B)	4QBF1703 (SBF610G)	10
Bottom Roller	4QBF1731 (SBF609W)	4QBF1732 (SBF609B)	4QBF1733 (SBF609G)	10

Top Half Guide and Bottom Half Roller



Description	Black RAL9005	Box Qty
Top Half Guide	4QBF1712 (SBF614)	10
Bottom Half Roller	4QBF1742 (SBF613)	10

Hinge



Description	White RAL9016	Black RAL9005	Anth.Grey RAL7016	Box Qty
Hinge	4QBF1761 (SBF611W)	4QBF1762 (SBF611B)	4QBF1763 (SBF611G)	50

Hinge with Pull Handle



Description	White RAL9016	Black RAL9005	Anth.Grey RAL7016	Box Qty
Hinge with Pull	4QBF1771 (SBF612W)	4QBF1772 (SBF612B)	4QBF1777 (SBF612G)	25

Bi-fold Door Hardware Clearspan Hardware for Sheerline



10
Years

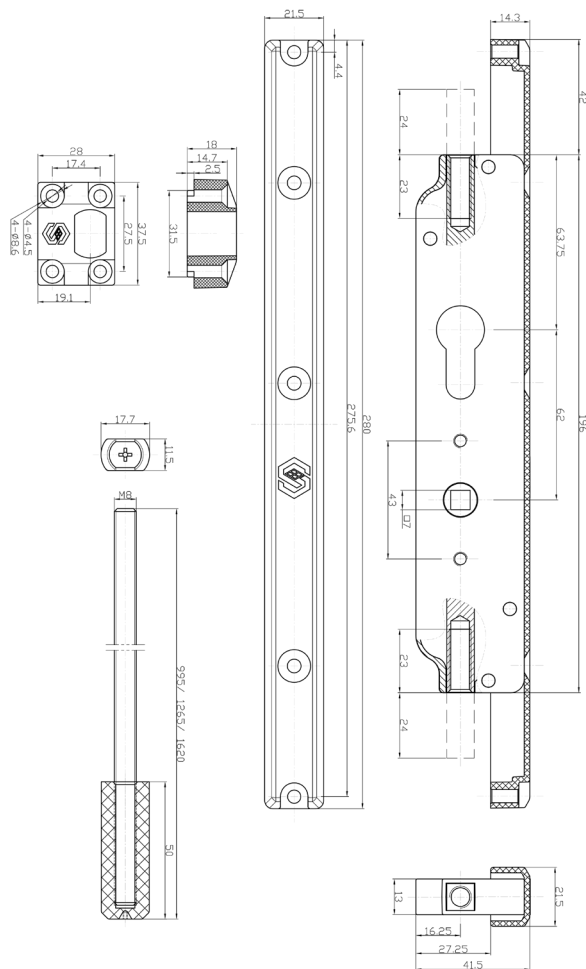
greenteQ

Intermediate Lock

Locking system for intermediate meeting points
Robust gearbox is covered by attractive black cover
Shootbolt ends are pre-assembled onto strong 8mm threaded rod
Shootbolt end is tapered for smooth lead-in
24mm bolt throw

Description	VBH Code	Box Qty
Intermediate Gearbox	4QBF1751 (SBF618)	50
Intermediate Gearbox Cover (Black)	4QBF1752 (SBF619)	100
Standard Shootbolt End Guide	4QBF1753 (SBF620)	100
995mm Shootbolt Rod	4QBF1756 (SBF615)	100
1265mm Shootbolt Rod	4QBF1757 (SBF616)	100
1620mm Shootbolt Rod	4QBF1758 (SBF617)	100

One set comprises 1 x gearbox, 1 x gearbox cover, 2 end guides and 2 shootbolt rods



Bi-Fold Door Hardware Clearspan Hardware for Smart Systems Visofold 1000

10
Years

greenteQ

Top Guide and Bottom Roller



Description	White RAL9016	Black RAL9005	Anth.Grey RAL7016	Box Qty
Top Guide	4QBF1001	4QBF1002	4QBF1003	10
Bottom Roller	4QBF1031	4QBF1032	4QBF1033	10
Security Clamp Plate Set*	4QBF1086	4QBF1086	4QBF1086	100

Hinge



Description	White RAL9016	Black RAL9005	Anth.Grey RAL7016	Box Qty
Hinge	4QBF1061	4QBF1062	4QBF1063	50
Security Clamp Plate Set*	4QBF1086	4QBF1086	4QBF1086	100

Hinge with Pull Handle



Description	White RAL9016	Black RAL9005	Anth.Grey RAL7016	Black/PVD Gold	Black/Pol. Chrome	Black/Sat. Chrome	Anth.Grey/ Sat.Chrome	Anth.Grey/ Pol.Chrome	Box Qty
Hinge with Pull	4QBF1071	4QBF1072	4QBF1077	4QBF1073	4QBF1074	4QBF1075	4QBF1067	4QBF1068	25
Security Clamp Plate Set*	4QBF1086	4QBF1086	4QBF1086	4QBF1086	4QBF1086	4QBF1086	4QBF1086	4QBF1086	100

*The Security Clamp Plate Set must be used with every hinged item on a security spec/ Q-Secure/ Document Q Door

Top Guide and Bottom Roller Half Set



Description	White RAL9016	Black RAL9005	Anth.Grey RAL7016	Box Qty
Top Guide	4QBF1011	4QBF1012	4QBF1013	10
Bottom Roller	4QBF1041	4QBF1042	4QBF1043	10

Half Pull Handle



Description	White RAL9016	Black RAL9005	Anth.Grey RAL7016	Box Qty
Half Pull Handle	4QBF1091	4QBF1092	4QBF1097	25
Security Clamp Plate Set*	4QBF1086	4QBF1086	4QBF1086	100

Bi-Fold Door Lock

Clearspan Hardware for Smart Systems Visofold 1000

Lock Kit for 60mm System Bi-Fold Door

Our Lock Kit for bi-fold doors features a top quality Yale door lock. It is the ideal partner for Clearspan bi-fold door hardware.

The 28mm backset lock provides effective locking and compression through a latch and central deadbolt, 2 hooks, 2 linear bolts and 2 adjustable roller cams.

The one piece striker plate speeds up the fitting process and provides a strong locking connection.

Ordering is simple as the lock, striker plate and packers are all supplied as a Yale Lock Kit under a single part number.

The correct handing is determined as follows;

LH Kit = LEFT hand hung OUTWARD or RIGHT hand hung INWARD opening door viewed from outside

RH Kit = RIGHT hand hung OUTWARD or LEFT hand hung INWARD opening door viewed from outside

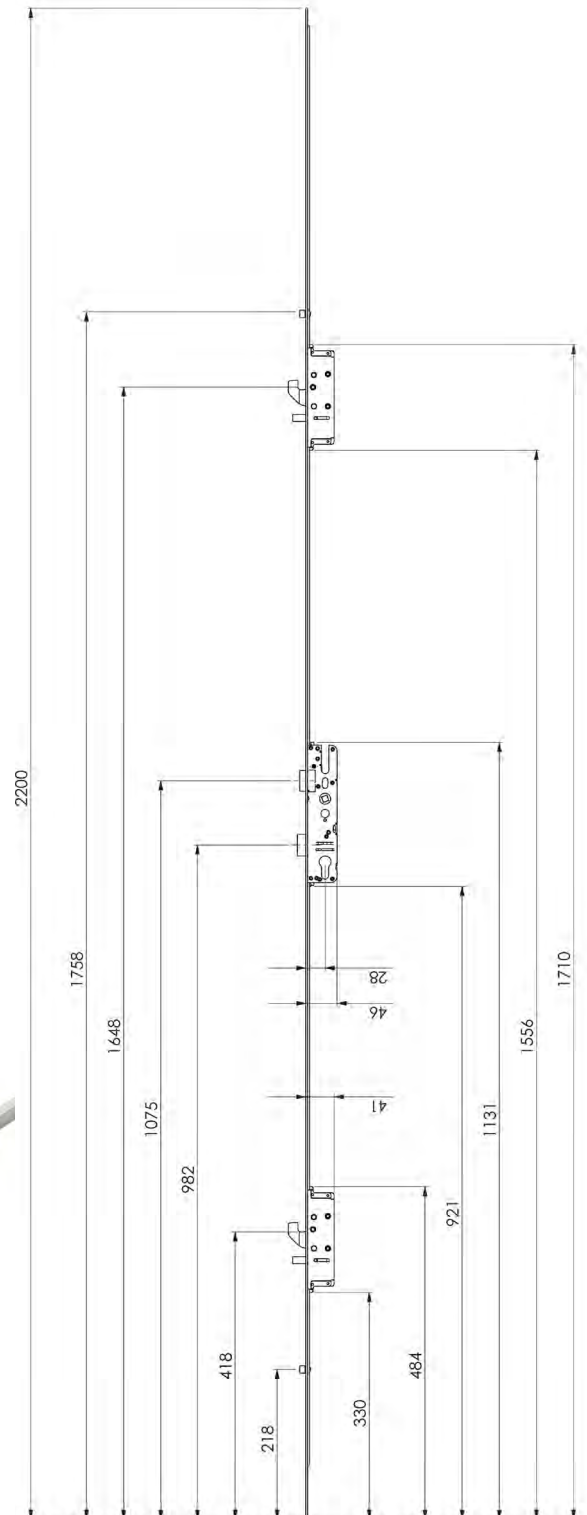
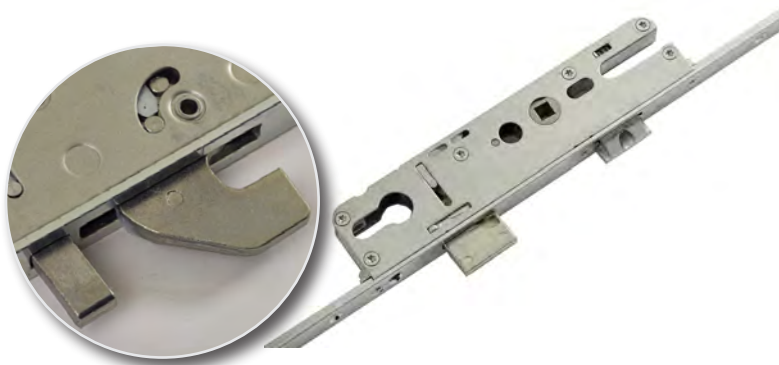
Benefits at a glance:

- Hooks and compression cams provide security and smooth closing
- Hook/linear bolt combination locking points provide excellent security
- Benefits from strong Yale branding
- One piece striker plate speeds up fitting time
- Perfect partner for Clearspan bi-fold hardware
- Easy ordering with just one part number

Description	VBH Code	Box Qty
LH Lock Kit (60mm Profiles)	4QBF1023	1
RH Lock Kit (60mm Profiles)	4QBF1024	1

Note: These lock kits must be used on increased security Clearspan Bi-Fold Doors

They are also recommended for standard Bi-Fold Doors.



Please Note: This lock kit is not suitable for use on Slim 55mm Profiles

Bi-Fold Door Lock

Clearspan Hardware for Smart Systems Visifold 1000

10
Years

greenteQ

Lock Kit for 60mm System Bi-Fold Chicane Doors

Our Lock Kit Chicane bi-fold doors features a top quality Yale door lock. It is an ideal partner for Clearspan bi-fold door hardware.

The 28mm backset lock provides effective locking and compression through a latch and central deadbolt, 2 hooks and 2 adjustable roller cams.

The one piece striker plate speeds up the fitting process and provides a strong locking connection. Perfect compression is ensured by 9 profile related under packers.

Ordering is simple as the lock, striker plate and packers are all supplied as a Yale Lock Kit under a single part number.

The correct handing is determined as follows;

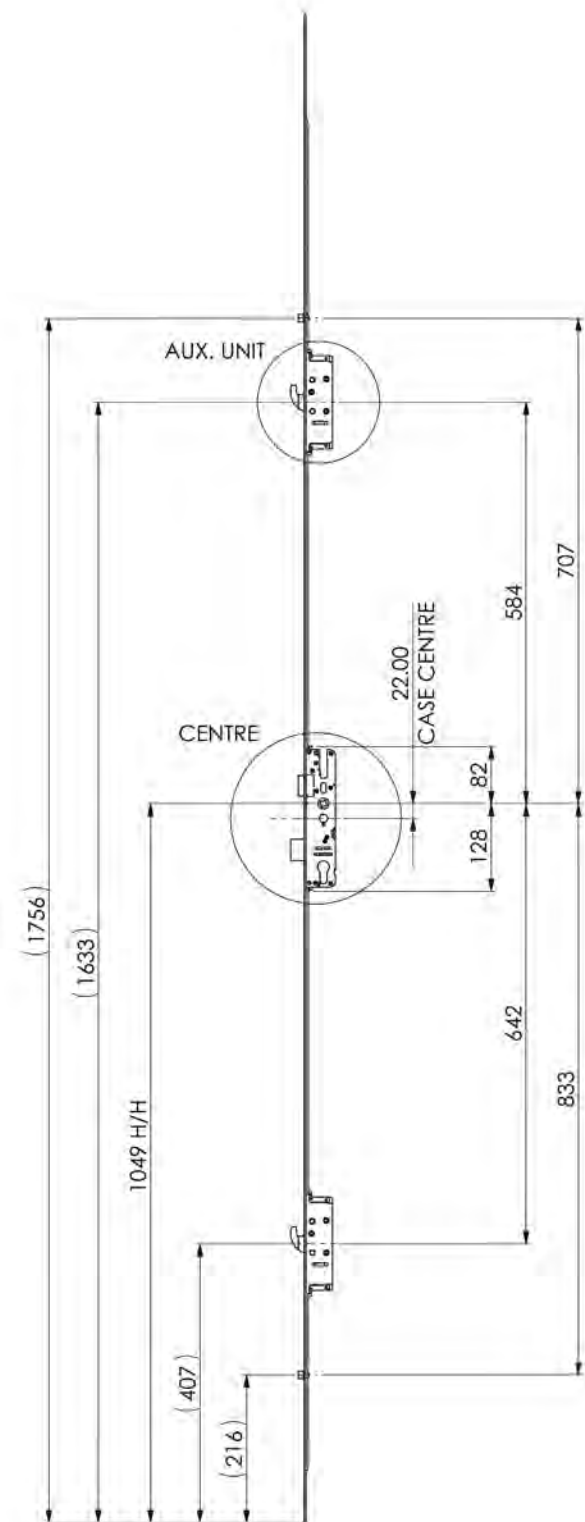
LH Kit = LEFT hand hung OUTWARD or RIGHT hand hung INWARD opening door viewed from outside

RH Kit = RIGHT hand hung OUTWARD or LEFT hand hung INWARD opening door viewed from outside

Benefits at a glance:

- Hooks and compression cams provide security and smooth closing
- Hook bolt locking points provide excellent security
- Benefits from strong Yale branding
- One piece striker plate speeds up fitting time
- Perfect partner for Clearspan bi-fold hardware on Chicane Doors
- Easy ordering with just one part number

Description	VBH Code	Box Qty
LH Lock Kit (60mm Profiles)	4QBF1019	1
RH Lock Kit (60mm Profiles)	4QBF1020	1



Please Note: This lock kit is not suitable for use on slim 55mm Profiles

Bi-Fold Door Hardware Clearspan Hardware for Smart Systems Visofold 1000

10
Years

greenteQ

Clearspan Intermediate Lock for Bi-Fold Doors

Standard & PAS24 locking systems for intermediate meeting points
Robust gearbox is covered by attractive black Q-branded cover
Shootbolt ends are pre-assembled onto strong 8mm threaded rod
Shootbolt end is tapered for smooth lead-in
24mm bolt throw

Standard Option

Description	VBH Code	Box Qty
Intermediate Gearbox	4QBF1051	24
Intermediate Gearbox Cover (Black)	4QBF1052	100
1300mm Shootbolt Rod Assembly	4QBF1054	100
Shootbolt End Guide for 60mm Profiles	4QBF1053*	100
Shootbolt End Guide for 55mm Profiles	4QBF1059*	50

One set comprises 1 x gearbox, 1 x gearbox cover, 2 end guides and 2 shootbolt rods

Increased Security Option

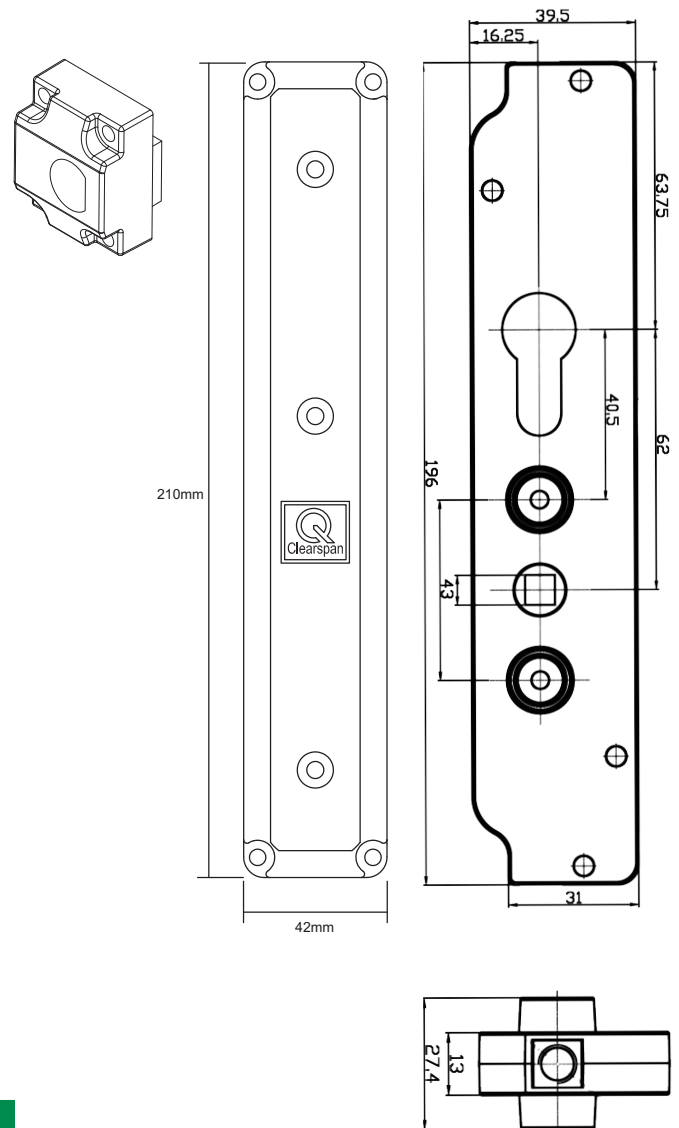
Description	VBH Code	Box Qty
Intermediate Gearbox	4QBF1051	24
Intermediate Gearbox Cover (Black)	4QBF1052	100
1300mm Shootbolt Rod Assembly	4QBF1058	100
Shootbolt End Guide for 60mm Profile	4QBF1053	100
Shootbolt End Guide for 55mm Profile	4QBF1059	50

One set comprises 1 x gearbox, 1 x gearbox cover, 2 end guides and 2 shootbolt rods

Intermediate Lock - Kits and Bulk

We also supply the Intermediate Lock System in kits and bulk quantities. By ordering using the codes below you will receive either 5 sets individually packed in kits, or enough components to gear 25 sashes.

Description	55mm Profile	60mm Profile	Unit Qty
Standard Individual Kit x 5	4QBF1029	4QBF1025	5 Kits
Standard Bulk Packed Sets x 25	4QBF1030	4QBF1026	25 Sets
PAS24 Security Individual Kit x 5	**	4QBF1027S	5 Kits



*The end guide depends on whether the 60mm or 55mm profile option is used.

60mm use Standard 4QBF1053
55mm use Slim 4QBF1059

**Please order individual components

Issue 03/2023 greenteQ
E & OE ©VBH

Clearline Magnetic Catch

Holds back sashes on Clearspan and other bi-fold doors
 Supplied complete with 2 fixing methods for aluminium doors
 Available in 2 heights and 6 colours
 Discreet appearance – only 30mm diameter
 greenteQ 10 year guarantee



Finish	26mm Catch Height	65mm Catch Height	Box Qty
White RAL 9016	4QBF0031	4QBF0041	1 Pair
Black RAL 9005	4QBF0032	4QBF0042	1 Pair
Enduro Steel	4QBF0039	4QBF0049	1 Pair
Polished Chrome	4QBF0034	4QBF0044	1 Pair
Satin Chrome	4QBF0035	4QBF0045	1 Pair
Anthracite Grey RAL 7016	4QBF0037	4QBF0047	1 Pair
Silver (Window Grey) RAL 7040	4QBF0038	4QBF0048	1 Pair



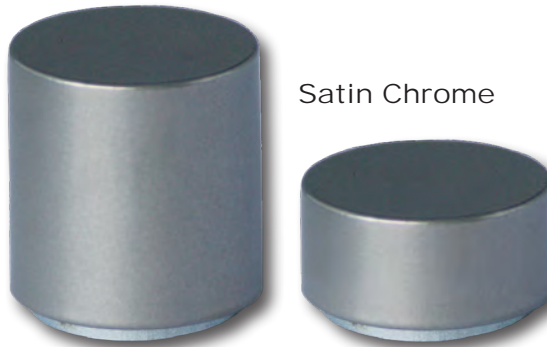
White



Black



Polished Chrome



Satin Chrome

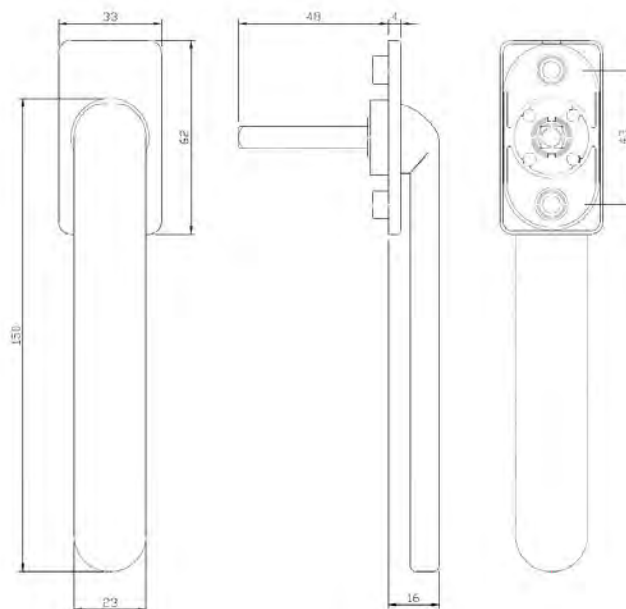


Anthracite Grey



Silver

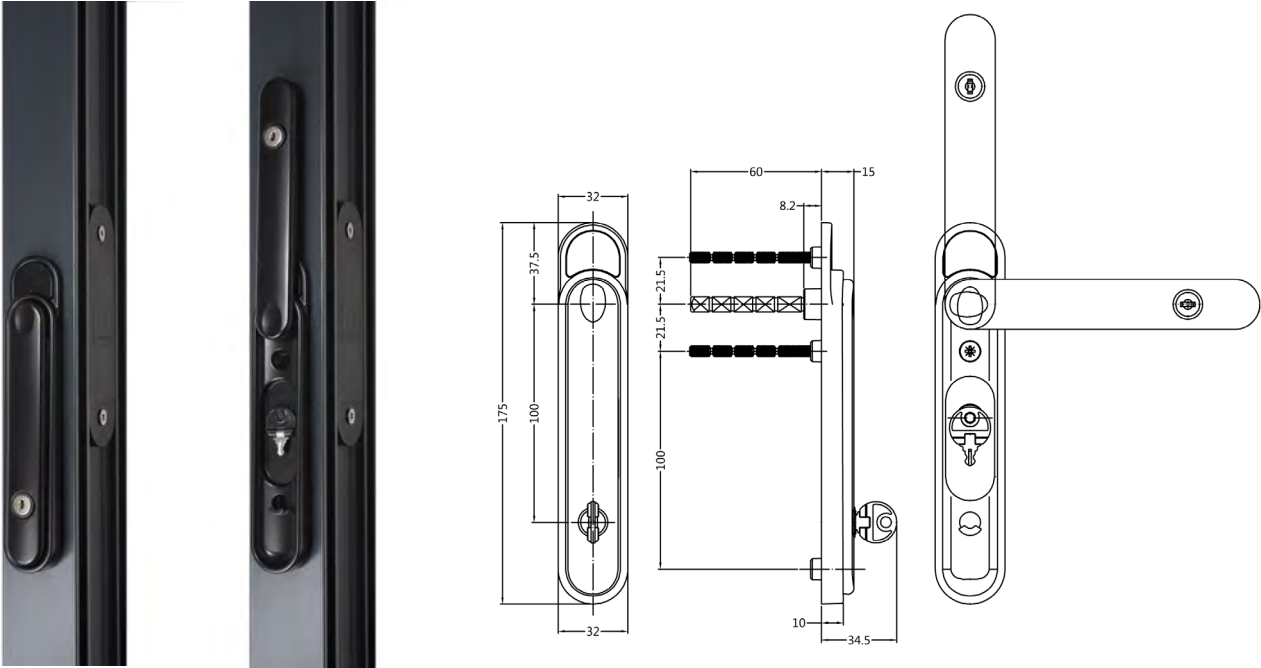
Aspire Intermediate



- Can be used on bi-fold doors in all materials
- Stands off profile by only 16mm
- Part of the greenteQ Suite
- 9 attractive greenteQ colours
- Positive location
- Supplied with fixing bolts
- Concealed fixings
- Grade 304 stainless steel construction
- 10 year greenteQ mechanical & surface guarantee

Colour	VBH Code	Box Qty
White RAL 9016	2QHB4741	40
Anthracite Grey RAL 7016	2QHB4742	40
Silver (Window Grey) RAL 7040	2QHB4743	40
Black RAL 9005	2QHB4744	40
PVD Gold	2QHB4745	40
Satin Chrome	2QHB4747	40
Polished Stainless Steel	2QHB4748	40
Brushed Stainless Steel	2QHB4749	40
Brushed Graphite	2QHB4750	40

Clearline CentreFold Handle



Works with greenteQ Intermediate Lock to secure aluminium bi-fold doors

Top of lever pushes in to allow turn action

Stands off profile only by 15mm

Key lockable

Discreet key storage area

Foldable key enables doors to stack back with minimal stand off

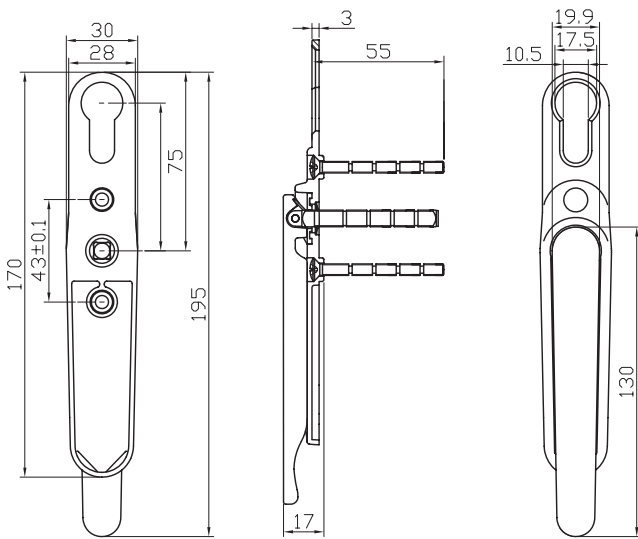
Concealed fixings (43mm centres)

Covered by the greenteQ 10 year guarantee

Approved for Q-Secure installations

Finish	VBH Code	Box Qty
White	4QBF0061A	12
Black	4QBF0062A	12
Anthracite Grey	4QBF0068A	12
Polished Chrome	4QBF0064A	12
Satin Chrome	4QBF0065A	12
PVD Gold	4QBF0063A	12

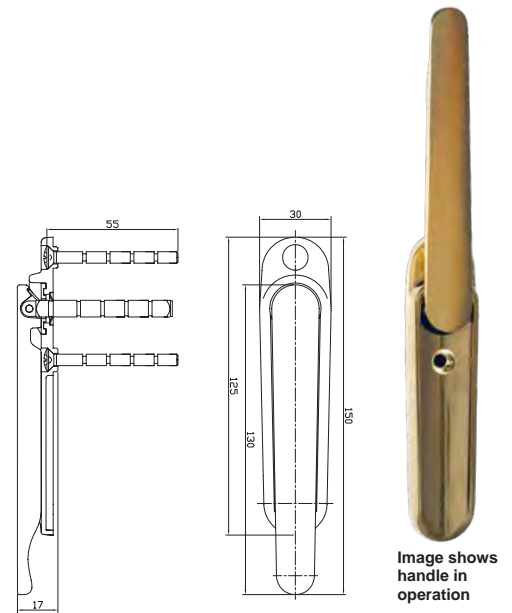
Clearline SlimFold Handles with PZ Hole



SlimFold handle with 'Lift & Turn' technology
 Ideal for bi-fold doors
 With cylinder hole (PZ)
 Option of Internal/ External variant

Finish	Internal Only	Internal/ External	Box Qty
White	4QBF0011	4QBF0021	40
Black	4QBF0012	4QBF0022	40
PVD Gold	4QBF0013	-	40
Polished Chrome	4QBF0014	4QBF0024	40
Satin Chrome	4QBF0015	4QBF0025	40
Anthracite Grey	4QBF0018	4QBF0028	40

Clearline SlimFold Handles without PZ Hole



SlimFold handle with 'Lift & Turn' technology
 Ideal for Bi-fold doors
 Without cylinder hole (PZ)

Finish	VBH Code	Box Qty
White	4QBF0001	40
Black	4QBF0002	40
PVD Gold	4QBF0003	40
Polished Chrome	4QBF0004	40
Satin Chrome	4QBF0005	40
Anthracite Grey	4QBF0008	40



Inline Sliding Patio Door Hardware greenteQ

Clearslide

The greenteQ Clearslide Inline Sliding Patio Door Lock is the latest addition to the greenteQ Lifestyle hardware range. Lifestyle is VBH's umbrella term for aspirational large element products such as sliding patio doors.

Clearslide locks and striker plates are manufactured from hard wearing stainless steel and are guaranteed for 10 years.

Locking is achieved through 4 pairs of bi-directional hooks. The 4 top hooks slide upwards to lock and the lower hooks lock downwards. The hooks in each pair are closely positioned to form extremely strong locking points.

Further security is provided by 2 anti-lift pins that protrude from the faceplate and slide into holes in the striker plate when the door is closed.

Clearslide locks have been tested at BSI to PAS24 and are included in VBH's BSI 'Hardware' Kitemark (KM727991); a true mark of quality.

The lock is rated as a Q-secure PREMIUM hardware product.

The gearbox has standard 92mm centres and is operated by standard patio handles such as the greenteQ Alpha and stainless steel Coastline Patio Pull Handles. The operating lever on each of these handles is sufficiently long to provide enough leverage to operate the door easily, even with the 8 separate hook locking points.

The mis-operation device ensures that the hooks can only travel when the door is fully closed. This prevents any damage caused by trying to

close the door if the hooks have been inadvertently put into the locked position while the door is open.

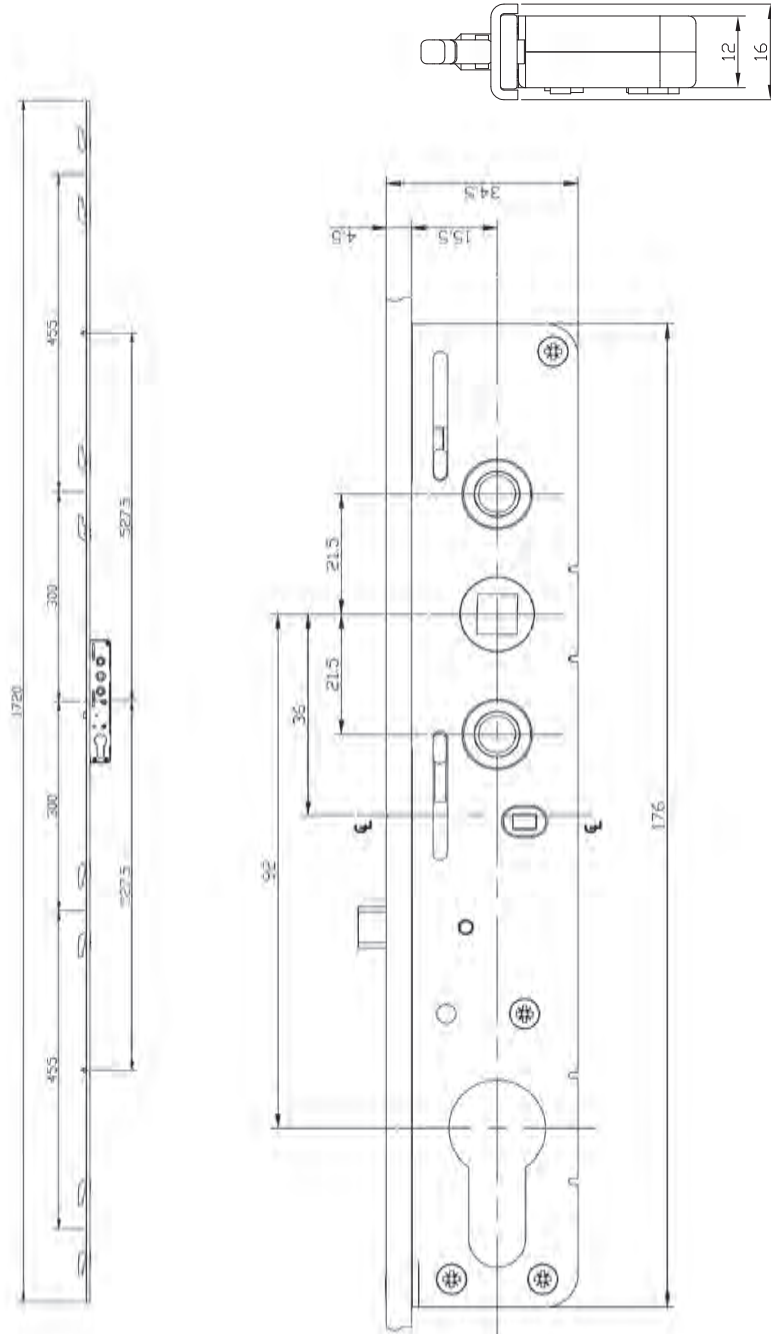
Clearslide striker plates are profile related and are of a one-piece construction, ensuring quick fabrication.

Benefits at a glance:

- 8 hook locking points (4 bi-directional pairs)
- Stainless steel construction
- 2 anti-lift pins
- Mis-operation device as standard
- Tested to PAS24:2016
- Covered by 'Hardware Kitemark KM727991
- Q-secure PREMIUM product
- Works with greenteQ Alpha & Coastline Patio Pull Handles
- 10 year performance warranty

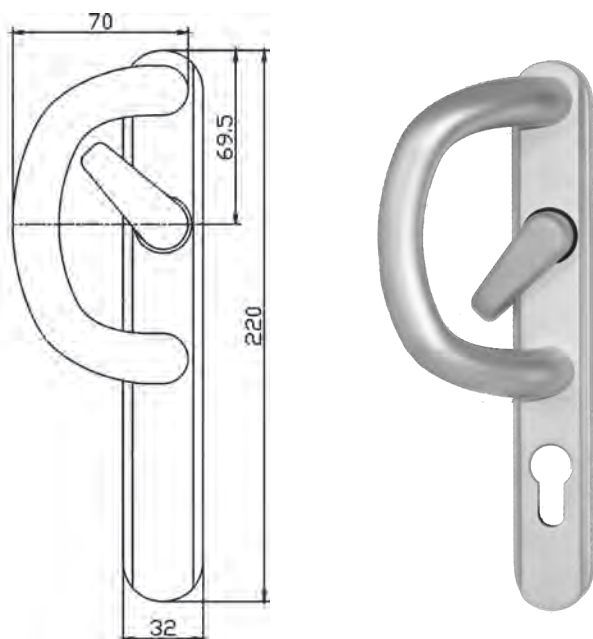
Clearslide

Description	VBH Code	Box Qty
Clearslide 8 Point Patio Door Lock	2QSD0001	10
1 Piece Striker Plate*	2QSD - - - -	10



*Profile related item. Please visit www.vbhgb.com or contact VBH for the specification to suit your profile system.

Alpha P-Handle for Inline Sliding Patio Doors



Part of the greenteQ Suite

Handing easily reversed to reduce stock-holding

Fits popular greenteQ and Yale patio door locks

Available with or without profile cylinder (PZ) hole

Suits 40-70mm door thickness

Covered by the greenteQ 10 year guarantee

Q-Secure approved

Finish	With PZ Hole	Without PZ Hole	Pull Only (No PZ or Lever)	Box Qty
White (RAL9016)	2QHB2001	2QHB2021	2QHB2031	6
Black (RAL9005)	2QHB2004	2QHB2024	2QHB2034	6
PVD Gold	2QHB2005	2QHB2025	2QHB2035	6
Polished Chrome	2QHB2006	2QHB2026	2QHB2036	6
Satin Chrome	2QHB2007	2QHB2027	2QHB2037	6
Smokey Chrome	2QHB2008	2QHB2028	2QHB2038	6
Enduro Steel	2QHB2002	-	-	6
Antique Black	2QHB2003	-	-	6
Anthracite Grey	2QHB2009	-	-	6

Blank External Backplate

To be used when a handle is only required on the inside of the door

Finish	VBH Code	Box Qty
White (RAL9016)	2QHB2041	72
Black (RAL9005)	2QHB2044	72
Polished Chrome	2QHB2046	72
Satin Chrome	2QHB2047	72



Coastline Stainless Steel



Available in 3 finishes of the greenteQ Suite
 Hard wearing stainless steel with 25 year surface guarantee
 Smooth operation through tubular grip and longer operating lever
 Fits popular patio door locks (greenteQ, Yale, and Roto)
 Available with or without PZ hole, or with pull only
 Fits profile thicknesses from 42- 71mm
 Covered by the Q-secure homeowner hardware guarantee

With PZ Hole Set

Colour	VBH Code	Box Qty
Polished Stainless Steel	2QHB2807	10
Brushed Stainless Steel	2QHB2809	10
PVD Gold	2QHB2805	10

Without PZ Hole Set

Colour	VBH Code	Box Qty
Polished Stainless Steel	2QHB2827	10
Brushed Stainless Steel	2QHB2829	10
PVD Gold	2QHB2825	10

Pull Only Set

Colour	VBH Code	Box Qty
Polished Stainless Steel	2QHB2837	10
Brushed Stainless Steel	2QHB2839	10
PVD Gold	2QHB2835	10

Blank Outer Plate

Colour	VBH Code	Box Qty
Polished Stainless Steel	2QHB2847	10
Brushed Stainless Steel	2QHB2849	10
PVD Gold	2QHB2845	10



Lift & Slide Hardware greenteQ

ClearLIFT

Lift/slide doors are gaining in popularity due to their ability to carry very large and very heavy sashes.

The large glazed areas provide uninterrupted views and maximise the natural light.

Many people prefer the fact that the sashes slide parallel to the side, rather than folding back to 90° as a bi-fold does.

The new greenteQ Clearlift system is the ideal hardware solution for lift/slide doors, as it copes with all the demands of carrying large, heavy elements, and is very easy to fit.

Clearlift can cope with sashes weighing up to 300KG, with a maximum sash width of 3300mm (subject to maximum weight) and height of 2700mm where the systems company's specification allows.

The handle height is set at 1005mm which is the optimum height for easy operation.

The Clearlift drive gear is lockable via a Euro profile cylinder. Depending on the handle used, the fabricator can manufacture a non-locking or lockable door with a handle on the inside only, or a lockable door with handles on the inside and outside.

greenteQ's Aspire lift/slide handle range is the ideal partner for Clearlift, as it offers all the above-mentioned solutions in a choice of 9 attractive colours split over zinc and stainless steel levers. Full details of Aspire are available upon request.

Clearlift has been cycle tested to 25,000 operations.

Tracks are swept by integral cleaning brushes within the bogie assemblies to ensure a smooth sliding action every time.

There is a night vent facility to enable trickle ventilation.

Contact VBH direct for a parts break-down and quotation

Benefits at a glance:

- Carries heavy sashes up to 300Kg
- 3300mm maximum sash width (subject to maximum weight)
- 2700mm maximum sash height
- Choice of operation methods
- 1005mm handle height
- Night vent facility
- Easy lifting operation via Aspire handles thanks to robust sprung mechanism
- Smooth sliding action helped by cleaning brushes
- Built to last – cycle tested to 25,000 operations
- Fabricator and installer friendly
- EN1670 grade 4 corrosion protection
- 10 year greenteQ guarantee
- Clearlift doors are included in the Q-secure consumer security guarantee. See www.qsecure.co.uk



greenteQ

Technical Data

Range of Application Scheme A:

Sash Width (SW): 820-3330mm (subject to maximum weight)

Sash Height (SH): 1750-2700mm

Outer Frame Width: 6500mm

Sash Weight: 300KG Standard

Backset (Espag) 37.5mm

Handle Position: Door (SH 1750-2700mm) 1005mm

Range of application depends on profile system used

Clearlift doors are included in the Q-secure consumer security guarantee. See www.qsecure.co.uk

The profile system company's guidelines must always be observed

Abbreviations

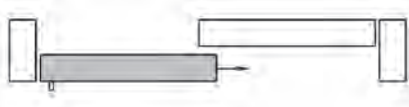
SH = Sash Height

SW = Sash Width

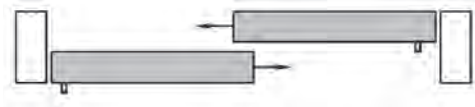
HH = Handle Height

Sash Arrangement

Scheme A

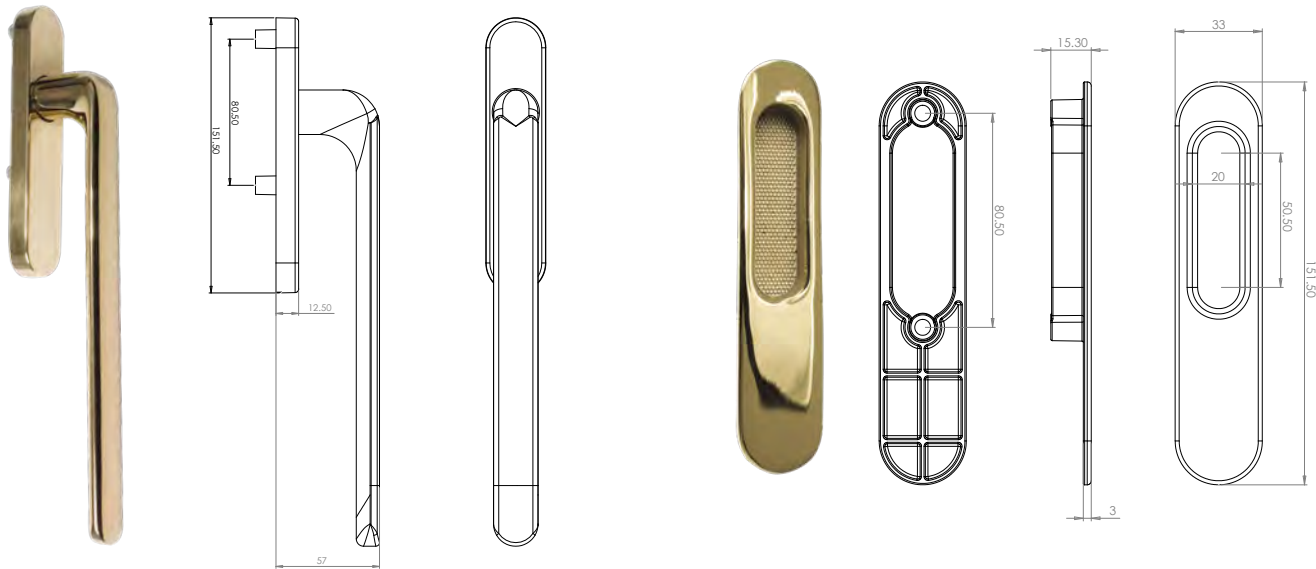


Scheme D



For more information on the Clearlift range from greenteQ, refer to our greenteQ Clearlift catalogue. Please view or download your copy at www.vbhgb.com

Aspire Lift / Slide Handle



- Perfect handle to operate Clearlift hardware
- Operates heavy lift/slide doors with minimal effort
- Positive location for further ease of use
- Attractive soft lines
- Comfortable feel when in use
- Can be used on inside only, with external finger cup, or as back to back pair for internal and external operation
- Available with or without profile cylinder hole
- Hi-Grip version for extra clearance
- 9 attractive finishes including brushed and polished grade 304 stainless steel

Aspire Handle without Profile Cylinder Hole

Finish	Standard	Hi-Grip
White	2QHB4621	2QHB4721
Anthracite Grey	2QHB4622	2QHB4722
Silver (RAL 7040)	2QHB4623	2QHB4723
Black	2QHB4624	2QHB4724
PVD Gold	2QHB4625	2QHB4725
Satin Chrome	2QHB4627	2QHB4727
Polished S/Steel	2QHB4628	2QHB4728
Brushed S/Steel	2QHB4629	2QHB4729
Brushed Graphite	-	2QHB4730

Aspire Handle with Profile Cylinder Hole

Finish	Standard	Hi-Grip
White	2QHB4601	2QHB4701
Anthracite Grey	2QHB4602	2QHB4702
Silver (RAL 7040)	2QHB4603	2QHB4703
Black	2QHB4604	2QHB4704
PVD Gold	2QHB4605	2QHB4705
Satin Chrome	2QHB4607	2QHB4707
Polished S/Steel	2QHB4608	2QHB4708
Brushed S/Steel	2QHB4609	2QHB4709
Brushed Graphite	-	2QHB4710

Aspire Finger Cup

Finish	VBH Code
White	2QHB4641
Anthracite Grey	2QHB4642
Silver (RAL 7040)	2QHB4643
Black	2QHB4644
PVD Gold	2QHB4645
Satin Chrome	2QHB4647
Polished S/Steel	2QHB4648
Brushed S/Steel	2QHB4649
Brushed Graphite	2QHB4650

Lift / Slide Furniture Accessories for Aspire Handles

Aspire Lift / Slide Handle Fixing Packs

greenteQ Aspire Lift/Slide Handles are suitable for use on many door systems and profile materials.

The handles are supplied without fixings. The fixings vary depending on the profile used, and whether the handles are being fitted as a pair, inside only with external Aspire Finger Cup, or inside only with nothing on the external door face.

Fabricators should select the correct fixings from the list below.

Spindles

Description	Application	VBH Code	Box Qty
10 x 10 x 60mm Spindle	Internal Handle Only	2QHB4662	45
10 x 10 x 105mm Spindle	Int/Ext Handle	2QHB4661	15

Fixing Packs for Internal/External Handles

Contents	Door Thickness (mm)	VBH Code	Box Qty
2 No. M5 x 70 Cap Head Screws with Hex Insets	56 - 65	2QHB4667	100 Packs
2 No. M5 x 80 Cap Head Screws with Hex Insets	66 - 75	2QHB4668	100 Packs
2 No. M5 x 90 Cap Head Screws with Hex Insets	76 - 85	2QHB4669	100 Packs
2 No. M5 x 100 Cap Head Screws with Hex Insets	86 - 95	2QHB4670	200 Packs

Fixing Packs for Internal Handle with External Finger Cup

Contents	Door Thickness (mm)	VBH Code	Box Qty
2 No. M5 x 60 Cap Head Screws	56 - 60	2QHB4671	100 Packs
2 No. M5 x 65 Cap Head Screws	61 - 65	2QHB4672	200 Packs
2 No. M5 x 70 Cap Head Screws	66 - 70	2QHB4673	100 Packs
2 No. M5 x 75 Cap Head Screws	71 - 75	2QHB4674	200 Packs
2 No. M5 x 80 Cap Head Screws	76 - 80	2QHB4675	100 Packs
2 No. M5 x 85 Cap Head Screws	81 - 85	2QHB4676	200 Packs
2 No. M5 x 90 Cap Head Screws	86 - 90	2QHB4677	200 Packs

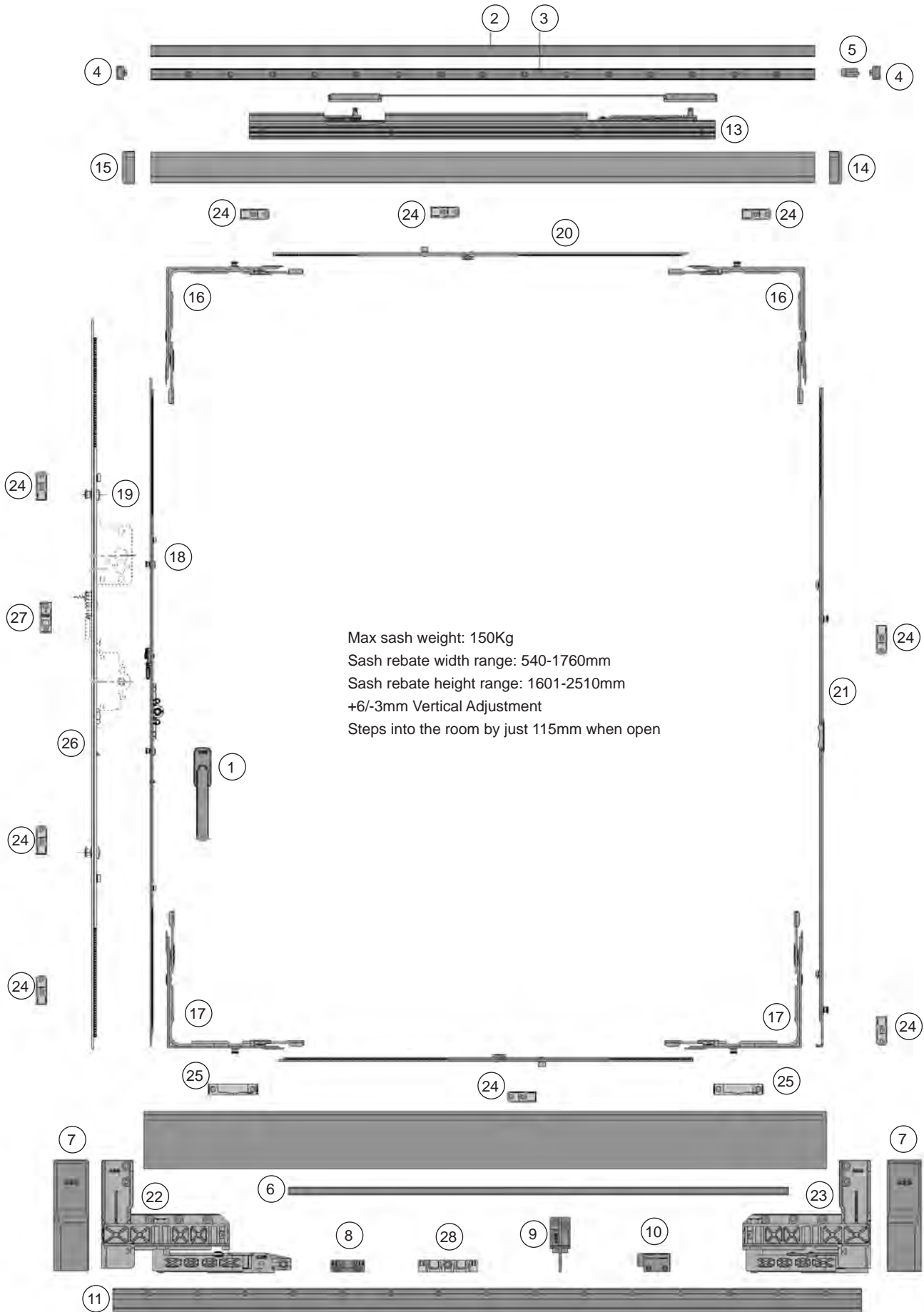
Fixing Packs for Internal Handle with Blank External

Contents	Lock Position (mm*)	VBH Code	Box Qty
2 No. M5 x 60 Cap Head Screws with Knurl Inserts	21 - 35	2QHB4681	100 Packs
2 No. M5 x 65 Cap Head Screws with Knurl Inserts	36 - 50	2QHB4682	200 Packs

*Lock Position refers to the dimension from the inside face of the sash profile to the centre point of the patio lock (or lock groove)

Tilt/Slide Patio Door Hardware

AGB Galileo CM Tilt/Slide Patio Hardware for Scheme 'A' Door



Tilt & Slide Patio Door Hardware

AGB Galileo CM Tilt/Slide Patio Hardware for Scheme 'A' Door

Pos.	Description	VBH Code			Lkg Pts Ea	SRW (mm)	SRH (mm)	Qty Req	Box Qty
		White	Brown	Silver					
22/23	Bogey Set Pack (Select handing)							1	
	LH	4QTS0001	4QTS0001	4QTS0001					1
	RH	4QTS0002	4QTS0002	4QTS0002					1
2-12	Profile Pack Top & Bottom (Select colour & SRW)							1	
		White	Brown	Silver					
		4QTS0031	4QTS0036	4QTS0041		540-720			1
		4QTS0032	4QTS0037	4QTS0042		721-1035			1
		4QTS0033	4QTS0038	4QTS0043		1036-1260			1
		4QTS0034	4QTS0039	4QTS0044		1261-1450			1
	4QTS0035	4QTS0040	4QTS0045		1451-1760			1	
13-15	Stay Arm & Cover Set (Select colour & SRW)							1	
		White	Brown	Silver					
		4QTS0010	4QTS0014	4QTS0018		540-720			1
		4QTS0011	4QTS0015	4QTS0019		721-1100			1
		4QTS0012	4QTS0016	4QTS0020		1101-1450			1
	4QTS0013	4QTS0017	4QTS0021		1451-1760			1	
16	Corner Drive Top	5QAG0002	5QAG0002	5QAG0002	1			2	50
17	Corner Drive Bottom	5QAG0002	5QAG0002	5QAG0002				2	50
20	Horizontal Connecting Rods (Select SRW)							2	
	Size 1	5QAG0391	5QAG0391	5QAG0391		540-660			10
	Size 2	5QAG0392	5QAG0392	5QAG0392	1	661-820			10
	Size 3	5QAG0393	5QAG0393	5QAG0393	1	821-1190			10
	Size 4	5QAG0394	5QAG0394	5QAG0394	2	1191-1590			10
		5QAG0395	5QAG0395	5QAG0395	2	1591-1760			20
18	15BS Variable Handle Height Drive Gear for Internal Handle Only (Select SRH)							1	
		5QAG0098	5QAG0098	5QAG0098	2		1601-2000		10
		5QAG0099	5QAG0099	5QAG0099	4		2001-2510		10
	Or								
19	Alternative Lockable Drive Gear With Cylinder Hole for Int/Ext Handle (Select SRH & BS)								
	Select correct length Vertical Connecting Rod and correct BS Handle & Cylinder Lockcases								
	Vertical Connecting Rod (Select SRH)							1	
		5QAG0395	5QAG0395	5QAG0395	2		1601-2000		10
		5QAG0396	5QAG0396	5QAG0396	4		2001-2510		10
	And								
	Handle Lockcase							1	
	30mm BS	5QAG0400	5QAG0400	5QAG0400			1601-2510		20
	35mm BS	5QAG0401	5QAG0401	5QAG0401			1601-2510		20
	And								
Profile Cylinder Lockcase							1		
30mm BS	5QAG0406	5QAG0406	5QAG0406			1601-2510		20	
35mm BS	5QAG0407	5QAG0407	5QAG0407			1601-2510		20	

*Profile related item. Visit www.vbhgb.com or contact VBH for specification to suit your system

Tilt/Slide Patio Door Hardware

AGB Galileo CM Tilt/Slide Patio Hardware for Scheme 'A' Door

Pos.	Description	VBH Code			Lkg Pts Ea	SRW (mm)	SRH (mm)	Qty Req	Box Qty
		White	Brown	Silver					
21	Vertical Connecting Rod (Select SRH)							1	
		5QAG0397	5QAG0397	5QAG0397	2		1601-2000		10
		5QAG0398	5QAG0398	5QAG0398	4		2001-2510		10
24	Compression Striker*	5QAG ----	5QAG ----	5QAG ----				Count Lkg Pts	100
25	TBT Striker*	5QAG ----	5QAG ----	5QAG ----				2	100
26	DSS Sash Lifter/Anti-Mishandling Device	5QAG0091	5QAG0091	5QAG0091				1	100
27	DSS Striker Plate*	5QAG ----	5QAG ----	5QAG ----				1	100
	Connector Plate (Only required if gear is parallel/straight cropped - i.e. not cropped & punched)	5QAG0006	5QAG0006	5QAG0006				8	100

Handle (Various available - contact VBH)

*Profile related item. Visit www.vbhgb.com or contact VBH for specification to suit your system

BTG10

Handle Options

Colour	Internal Set	Standard External Set	Slim External Set	Box Qty
White RAL9016	2QHB3816	2QHB3824	2QHB3830	10
Brown RAL8077	2QHB3820	2QHB3828	2QHB3834	10
F1 Silver Anodised	2QHB3817	2QHB3825	2QHB3831	10
F4 Bronze Anodised	2QHB3819	2QHB3827	2QHB3833	10
F9 Dark Silver Anodised	2QHB3818	2QHB3826	2QHB3832	10

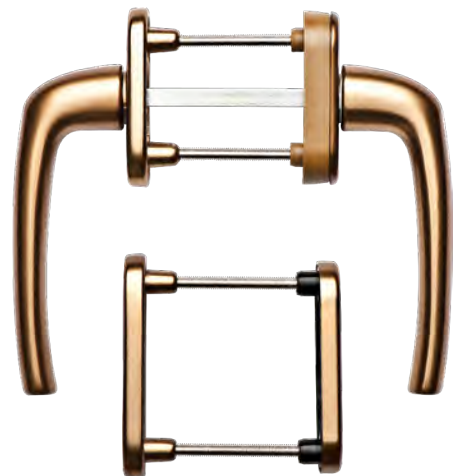
Spindle/Screw Packs

Door Thickness	For Standard External Set	For Slim External Set	Box Qty
63 – 73mm	2QHB3821	2QHB3835	50
73 – 83mm	2QHB3822	2QHB3836	50
83 – 93mm	2QHB3823	2QHB3837	50

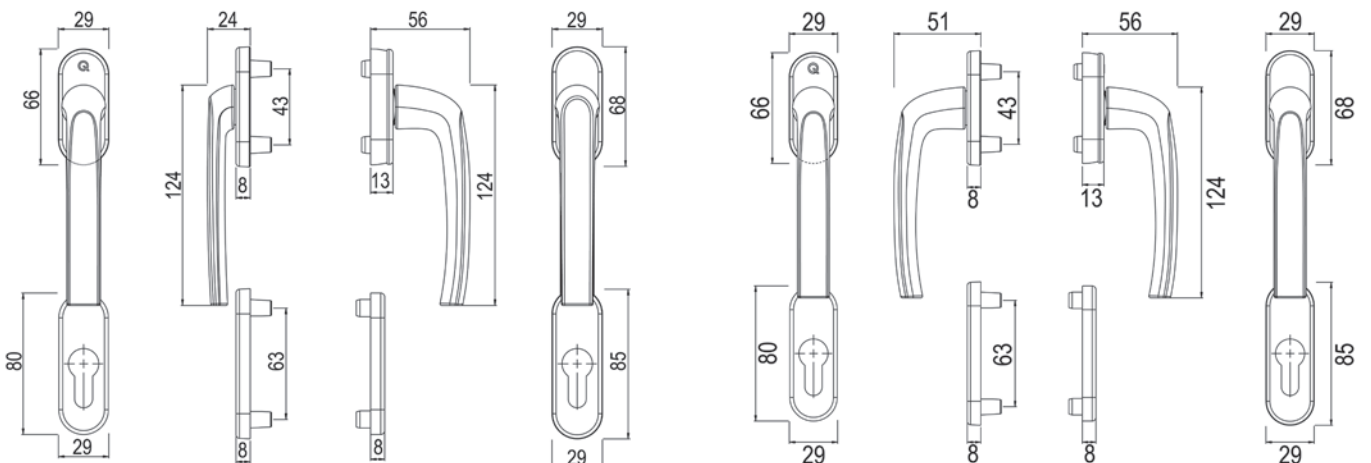
All Spindle/Screw Packs contain the correct length 7mm square spindle and four x M5 DIN964 machine screws, and a spring for the internal lever.



Slim Set - Drawing



Standard Set - Drawing



Window Handles for Casement Windows

Alpha Offset Espagnolette Handle	80
Alpha Inline Espagnolette Handle	81
Monkey Tail Espagnolette Handle	82
Monkey Tail Dummy Casement Stay	82
Alpha Cockspur Handle	83
Cockspur Wedges	83

Locking Systems for Casement Windows

Invicta Shootbolt for Single Sash Windows	84
Invicta Shootbolt for Double Sash Windows	85
iQ Security Espagnolette Introduction	86
iQ Security Espagnolette Standard - Works With Kubu	87
iQ Security Espagnolette Easy Access - Works With Kubu	88
iQ Security Espagnolette for Flush Windows	89
Kubu Home Hub Information	90
Securitas Security Espagnolette	91
Notes	
Window Espagnolette	93

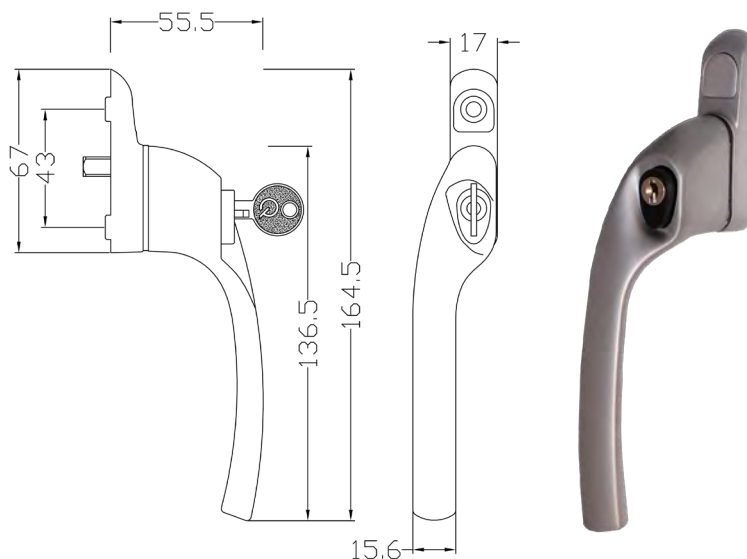
Miscellaneous Security and Safety Devices

Delta Friction Stay Security Device	94
Safeguard Cable Restrictor	94
Auto-Latch Casement Restrictor and Striker Posts	94

Tilt & Turn Window Hardware

ArTech Tilt & Turn Window Hardware	96 - 97
Alpha TBT Handles for Tilt & Turn Windows	98

Alpha Offset - Locking



Offset locking
Key to lock
Push to release

Spindle Size	White LH	White RH	PVD Gold LH	PVD Gold RH	Polished Chrome LH	Polished Chrome RH	Satin Chrome LH	Satin Chrome RH	Smokey Chrome LH	Smokey Chrome RH	Box Qty
10mm	2QEH1001	2QEH1002	2QEH1003	2QEH1004	2QEH1005	2QEH1006	2QEH1009	2QEH1010	-	-	25
15mm	2QEH1021	2QEH1022	2QEH1023	2QEH1024	2QEH1025	2QEH1026	2QEH1029	2QEH1030	-	-	25
20mm	2QEH1041	2QEH1042	2QEH1043	2QEH1044	2QEH1045	2QEH1046	2QEH1049	2QEH1050	-	-	25
25mm	2QEH1061	2QEH1062	2QEH1063	2QEH1064	2QEH1065	2QEH1066	2QEH1069	2QEH1070	-	-	25
30mm	2QEH1081	2QEH1082	2QEH1083	2QEH1084	2QEH1085	2QEH1086	2QEH1089	2QEH1090	2QEH1093	2QEH1094	25
35mm	2QEH1101	2QEH1102	2QEH1103	2QEH1104	2QEH1105	2QEH1106	2QEH1109	2QEH1110	2QEH1113	2QEH1114	25
40mm	2QEH1121	2QEH1122	2QEH1123	2QEH1124	2QEH1125	2QEH1126	2QEH1129	2QEH1130	2QEH1133	2QEH1134	25
55mm	2QEH1161	2QEH1162	-	-	2QEH1165	2QEH1166	-	-	-	-	25
65mm	-	-	-	-	-	-	2QEH1229	2QEH1230	-	-	25

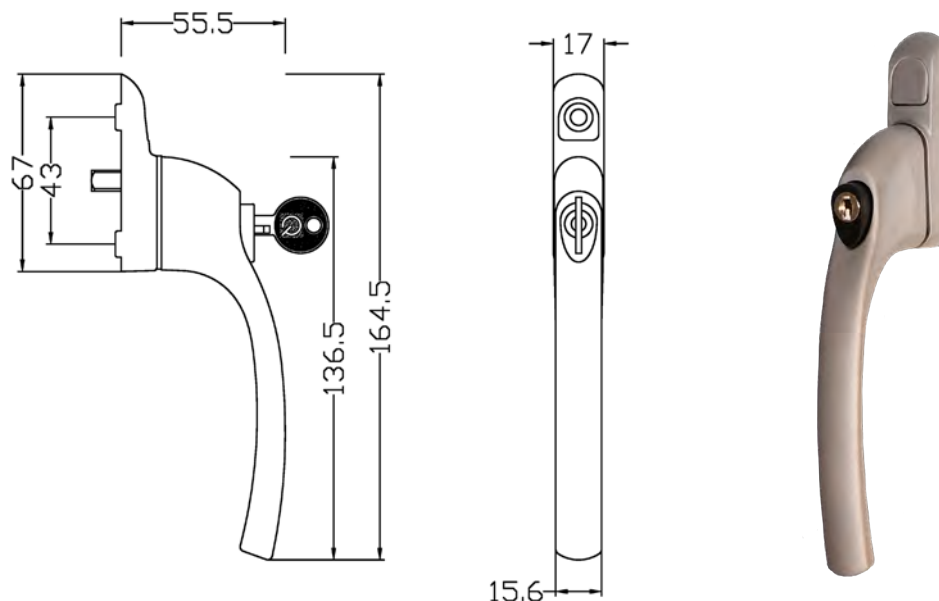
Spindle Size	Black LH	Black RH	Anthracite Grey LH	Anthracite Grey RH	Antique Black LH	Antique Black RH	Enduro Steel LH	Enduro Steel RH	Box Qty
10mm	2QEH1011	2QEH1012	2QEH1019	2QEH1020	2QEH1015	2QEH1016	2QEH1017	2QEH1018	25
15mm	2QEH1031	2QEH1032	2QEH1035	2QEH1036	2QEH1039	2QEH1040	2QEH1037	2QEH1038	25
20mm	2QEH1051	2QEH1052	-	-	-	-	2QEH1057	2QEH1058	25
25mm	2QEH1071	2QEH1072	2QEH1075	2QEH1076	2QEH1079	2QEH1080	2QEH1077	2QEH1078	25
30mm	2QEH1091	2QEH1092	-	-	-	-	2QEH1097	2QEH1098	25
35mm	2QEH1111	2QEH1112	2QEH1115	2QEH1116	2QEH1119	2QEH1120	2QEH1117	2QEH1118	25
40mm	2QEH1131	2QEH1132	2QEH1135	2QEH1136	2QEH1139	2QEH1140	2QEH1137	2QEH1138	25

Accessories

Description	White	Gold	Brushed Silver	Bright Chrome	Black	Box Qty
Cover Cap	2QEH2001	2QEH2002	2QEH2003	2QEH2006	2QEH2004	1000
Description	White	Black	Green	Box Qty		
Keyway Blanking Insert		2QEH2011	2QEH2012	2QEH2013		1000
Description	White	Black	Green	Box Qty		
Keyway Blanking Plug		2QEH2031	2QEH2032	2QEH2033		1000
Description	VBH Code	Box Qty				
Spare Key		2QEH2000E				1000



Alpha Inline - Locking



Inline locking
Key to lock
Push to release

Spindle Size	White RAL9016	PVD Gold	Polished Chrome	Satin Chrome	Anthracite Grey	Box Qty
10mm	2QEH0001	2QEH0002	2QEH0003	2QEH0005	2QEH0010	25
15mm	2QEH0011	2QEH0012	2QEH0013	2QEH0015	2QEH0020	25
20mm	2QEH0021	2QEH0022	-	2QEH0025	-	25
25mm	2QEH0031	2QEH0032	2QEH0033	2QEH0035	-	25
30mm	2QEH0041	2QEH0042	2QEH0043	2QEH0045	-	25
35mm	2QEH0051	2QEH0052	2QEH0053	2QEH0055	-	25
40mm	2QEH0061	2QEH0062	2QEH0063	2QEH0065	2QEH0070	25
50mm	-	-	2QEH0073	2QEH0075	-	25
55mm	2QEH0091	-	2QEH0093	2QEH0095	-	25

Spindle Size	Smokey Chrome	Black RAL9005	Antique Black	Enduro Steel	Anthracite Grey	Box Qty
10mm	-	2QEH0006	2QEH0009	2QEH0008	-	25
15mm	-	2QEH0016	2QEH0019	2QEH0018	-	25
20mm	-	2QEH0026	-	2QEH0028	-	25
25mm	-	2QEH0036	-	-	-	25
30mm	-	2QEH0046	-	-	-	25
35mm	2QEH0057	2QEH0056	2QEH0059	2QEH0058	-	25
40mm	2QEH0067	2QEH0066	-	-	-	25
55mm	2QEH0097	2QEH0096	-	-	-	25

Accessories

Description	White	Gold	Brushed Silver	Bright Chrome	Black	Box Qty
Cover Cap	2QEH2001	2QEH2002	2QEH2003	2QEH2006	2QEH2004	1000

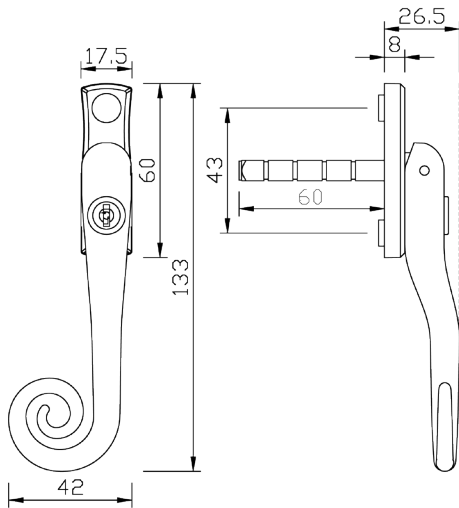
Description	White	Black	Green	Box Qty
Keyway Blanking Insert	2QEH2011	2QEH2012	2QEH2013	1000

Description	White	Black	Green	Box Qty
Keyway Blanking Plug	2QEH2031	2QEH2032	2QEH2033	1000

Description	VBH Code	Box Qty
Spare Key	2QEH2000E	1000



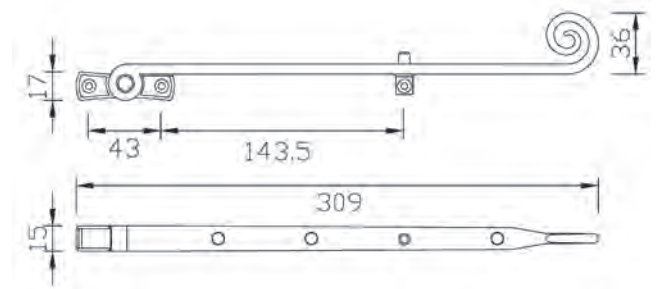
Monkey Tail Espagnolette Handle



Gives modern windows a more traditional look
 Ideal for flush sash windows
 Key lockable with working cylinder
 'Lift to Turn' operation prevents droop and protects against manipulation
 60mm spindle with easy-cut notches (screws also notched)
 Slim cast backplate for frame clearance and improved appearance
 Designed as an espagnolette handle. Backplate is cast to correct slim width so there are no unsightly machining marks
 Black fixings included with handle
 10 year greenteQ guarantee

Description	VBH No	Box Qty
LH Monkey Tail Handle Black	2QEH6011	25
RH Monkey Tail Handle Black	2QEH6012	25

Monkey Tail Dummy Casement Stay



Gives modern windows a more traditional look
 Ideal for flush sash windows
 Stay is unhandled – reduced stock-holding
 Black fixings included with stay
 10 year greenteQ guarantee

Description	VBH No	Box Qty
Dummy Monkey Tail Casement Stay	2QEH6021	25

Alpha - Locking

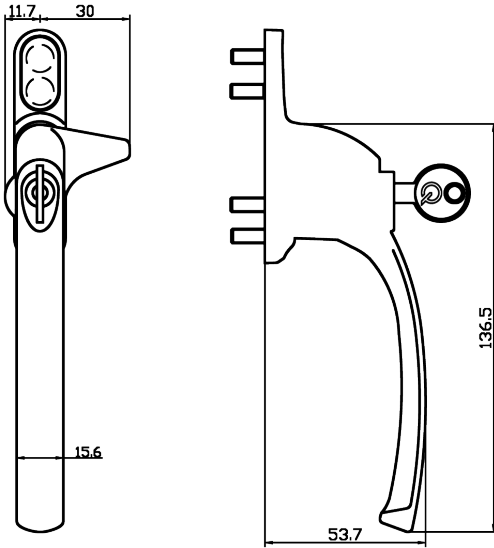


Image shows 12mm upstand handle



Offset locking

Key to lock

Push to release

All handles are supplied with key and cover caps

Upstand	White LH	White RH	P.Gold LH	P.Gold RH	P.Chrome LH	P.Chrome RH	S.Chrome LH	S.Chrome RH	Black LH	Black RH	Box Qty
12mm	2QCH0001	2QCH0002	-	-	2QCH0005	2QCH0006	2QCH0009	2QCH0010	2QCH0011	2QCH0012	25
21mm	2QCH0021	2QCH0022	2QCH0027	2QCH0028	2QCH0025	2QCH0026	2QCH0029	2QCH0030	2QCH0031	2QCH0032	25

Accessories

Description	White	Gold	Silver	Black	Pol.Silver	Box Qty
Spare Key	2QEH2000E					1000
Cover Cap	2QCH2001	-	-	-	-	1000
Description	White	Black	Green	Box Qty		
Keyway Blanking Insert	2QEH2011	2QEH2012	2QEH2013	1000		
Description	White	Black	Green	Box Qty		
Keyway Blanking Plug	2QEH2031	2QEH2032	2QEH2033	1000		
Description	Height	White	Black	Box Qty		
Cockspur Wedge	3mm	2QCH2018	2QCH2017	100		
Cockspur Wedge	4mm	2QCH2016	2QCH2015	100		
Cockspur Wedge	5mm	2QCH2014	2QCH2013	100		



Invicta

Tested in accordance to PAS24
 Surface finish meets EN1670 Grade 4
 Covers sash rebate sizes from 320 - 1500mm
 Clearly branded as a quality greenteQ product
 Approved Q-secure PREMIUM product

Gear Boxes

Description	VBH Code	Box Qty
20mm Backset	2QWE2001	40
22mm Backset	2QWE2002	40

Extensions

Size	Sash Rebate Range (mm)	Mushroom Height (mm)	Qty of Mushrooms	VBH Code	Box Qty																		
0	320-400	-	-	2QWE2110	50																		
1	401-500	7.7	1	2QWE2111	50																		
3	501-900	7.7	1	2QWE2113	50																		
5	901-1200	7.7	2	2QWE2115	50																		
7	1201-1500	7.7	2	2QWE2117	50																		
1	401-500	9	1	2QWE2121	50 </tr <tr> <td>3</td> <td>501-900</td> <td>9</td> <td>1</td> <td>2QWE2123</td> <td>50</td> </tr> <tr> <td>5</td> <td>901-1200</td> <td>9</td> <td>2</td> <td>2QWE2125</td> <td>50</td> </tr> <tr> <td>7</td> <td>1201-1500</td> <td>9</td> <td>2</td> <td>2QWE2127</td> <td>50</td> </tr>	3	501-900	9	1	2QWE2123	50	5	901-1200	9	2	2QWE2125	50	7	1201-1500	9	2	2QWE2127	50
3	501-900	9	1	2QWE2123	50																		
5	901-1200	9	2	2QWE2125	50																		
7	1201-1500	9	2	2QWE2127	50																		

Striker Plates**

Description	VBH Code	Box Qty
Mushroom Striker	2QWE - - - -	200
Shootbolt Striker (Link with mushroom striker in corner)	2QWE - - - -	200



**Contact VBH or visit www.vbhgb.com for profile related parts specification

Window Shootbolt - French Casement Variant

Invicta

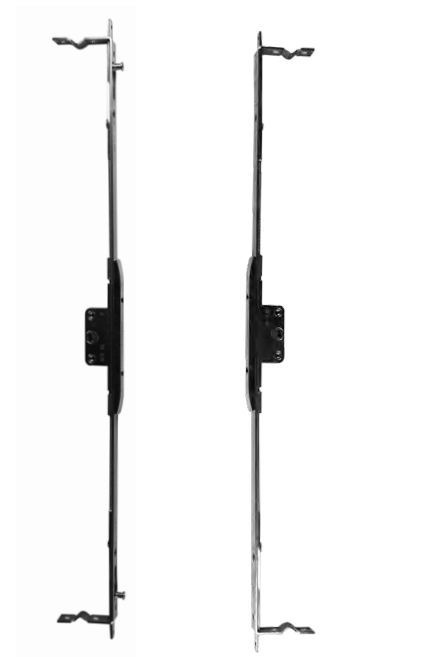
Tested in accordance to PAS24
 Surface finish meets EN1670 Grade 4
 Covers sash rebate sizes from 320 - 1500mm
 Clearly branded as a quality greenteQ product
 Approved Q-secure PREMIUM product

Gear Boxes

Description	VBH Code	Box Qty
20mm Backset	2QWE2001	40
22mm Backset	2QWE2002	40

Striker Plates**

Description	VBH Code	Box Qty
Mushroom Striker	2QWE - - - -	200
Shootbolt Striker	2QWE - - - -	200



French Casement Croppable Extensions

Size	Sash Rebate Range (mm)	Mushroom Height (MB) - Prime Sash Only	MB Qty - Prime Sash Only	Prime Sash Extension Code	Secondary Sash Extension Code - No Cam	Box Qty
3	501 - 900	7.7	1	2QWE2143	2QWE2133	50
5	901 - 1200	7.7	2	2QWE2145	2QWE2135	50
7	1201 - 1500	7.7	2	2QWE2147	2QWE2137	50
3	501 - 900	9	1	2QWE2153	2QWE2133	50
5	901 - 1200	9	2	2QWE2155	2QWE2135	50
7	1201 - 1500	9	2	2QWE2157	2QWE2137	50

**Contact VBH or visit www.vbhgb.com for profile related parts specification
 Issue 03/2023 greenteQ
 E & OE ©VBH



iQ - Window Lock Range

greenteQ iQ Security Espagnolette Window Lock

The iQ Security Window Lock from greenteQ is a top quality security window espagnolette for outward opening rebated and flush windows.

The lock features combination locking points that pair adjustable and floating mushroom headed cams to provide smooth operation and high levels of security.

The adjustable cam has +/-0.75mm compression adjustment, while the fixed cam provides additional anti-separation strength, spreading the load across the striker plate.

The lock is available in industry standard 20 and 22mm backsets, and with a choice of 7.7 and 9mm mushroom cams.

11 sizes, from 200mm to 1350mm, ensure that locking points are always close to the corners of the window, ensuring optimum security.

As all the fixings are applied from one direction, and it is a single piece item, iQ is quick to fit and can help reduce factory production times when compared with other types of locking mechanisms.

Striker plates provide a night vent position and are available to suit a wide range of profiles.

iQ is also available in an Easy Access version, where the handle height is set at 195mm from the bottom of the window sash for applications where a low handle is required, such as in lifetime homes compliance situations. Easy Access versions are available in 6 lengths starting at 550mm.

The iQ Security Espagnolette Window Lock is ideal for consumers who are keen to integrate their windows into a smart home network, as it is supplied ready to work with a Kubu® smart home hub.

When connected to a network via Kubu, windows and doors can work with other elements of the network such as heating, lighting, alarms etc.

The user can also check on the open/ closed/ locked/ night vent status of their windows and doors, and set up security alerts.

Flush window manufacturers can benefit from the mechanical security features of the iQ Security Espagnolette, although these are not currently compatible with the Kubu® home hub. The flush window version is a handed product, due to the need to feature an offset cam plate to facilitate a night vent.

Security Window Espagnolettes



greenteQ

iQ Standard - Works with Kubu®

Kubu enabled Standard variant

The Kubu enabled versions bring a host of benefits centered around enabling the user to monitor the locked status of their windows

Tested to PAS24:2016

Q-secure PREMIUM product

240 hours salt spray test results

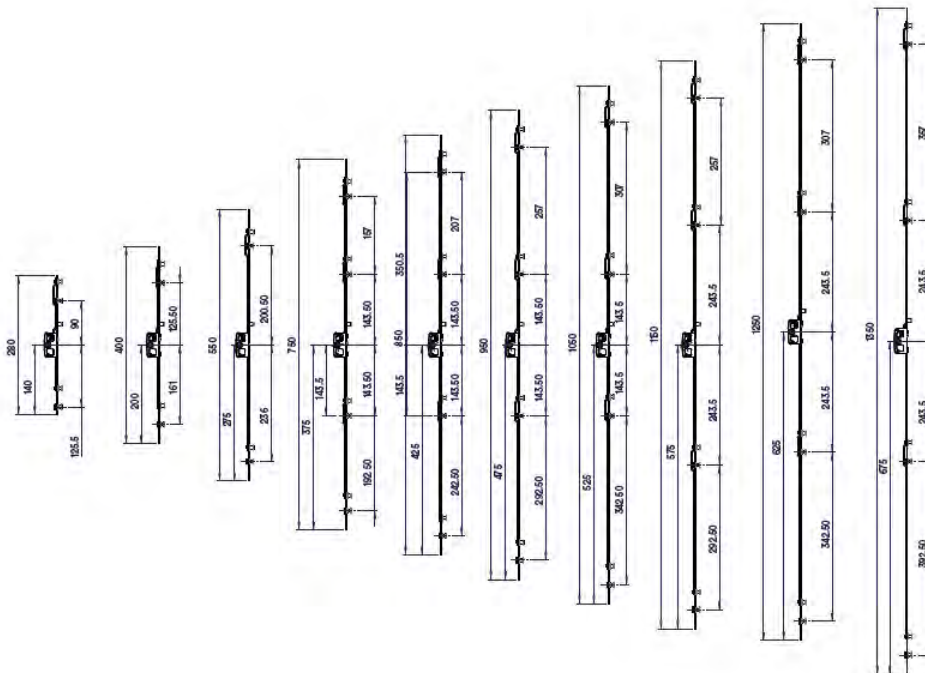
Quick to fit

10 year greenteQ performance guarantee

Length	20BS/7.7MB	20BS/9MB	22BS/7.7MB	22BS/9MB	Striker Qty	Box Qty
200mm*	2QWE3741	2QWE3742	2QWE3743	2QWE3744	2	16
280mm	2QWE3701	2QWE3711	2QWE3721	2QWE3731	2	16
400mm	2QWE3702	2QWE3712	2QWE3722	2QWE3732	2	16
550mm	2QWE3703	2QWE3713	2QWE3723	2QWE3733	2	16
750mm	2QWE3704	2QWE3714	2QWE3724	2QWE3734	4	16
850mm	2QWE3705	2QWE3715	2QWE3725	2QWE3735	4	16
950mm	2QWE3706	2QWE3716	2QWE3726	2QWE3736	4	16
1050mm	2QWE3707	2QWE3717	2QWE3727	2QWE3737	4	16
1150mm	2QWE3708	2QWE3718	2QWE3728	2QWE3738	4	16
1250mm	2QWE3709	2QWE3719	2QWE3729	2QWE3739	4	16
1350mm	2QWE3710	2QWE3720	2QWE3730	2QWE3740	4	16



Description	VBH Code	Box Qty
Mushroom Night Vent Striker*	2QWE3 - - -	200



*Kubu connectivity is not available on this size.
 **Contact VBH for profile related parts specification
 Issue 03/2023 greenteQ
 E & OE ©VBH



Security Window Espagnolettes

greenteQ

iQ Easy Access - Works with Kubu®

Kubu® enabled Easy Access variant

The Kubu® enabled versions bring a host of benefits centered around enabling the user to monitor the locked status of their windows

Easy Access variant has a set handle height of 195mm from the bottom

Tested to PAS24:2016

Q-secure PREMIUM product

Industry standard 20 and 22mm backsets with 7.7 and 9mm cams

240 hours salt spray test results

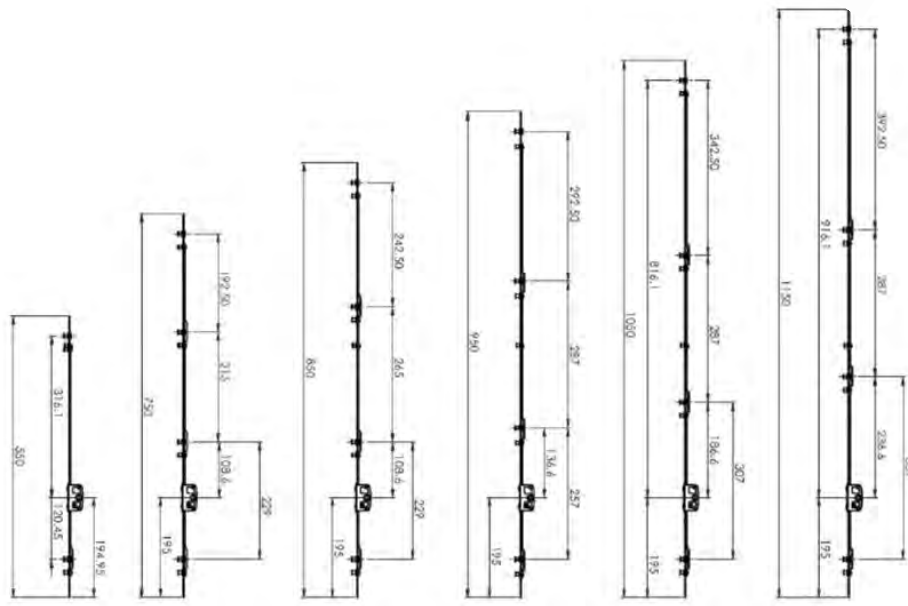
Quick to fit

10 year greenteQ performance guarantee

Length	20BS/7.7MB	20BS/9MB	22BS/7.7MB	22BS/9MB	Striker Qty	Box Qty
550mm	2QWE3803	2QWE3813	2QWE3823	2QWE3833	2	16
750mm	2QWE3804	2QWE3814	2QWE3824	2QWE3834	4	16
850mm	2QWE3805	2QWE3815	2QWE3825	2QWE3835	4	16
950mm	2QWE3806	2QWE3816	2QWE3826	2QWE3836	4	16
1050mm	2QWE3807	2QWE3817	2QWE3827	2QWE3837	4	16
1150mm	2QWE3808	2QWE3818	2QWE3828	2QWE3838	4	16



Description	VBH Code	Box Qty
Mushroom Night Vent Striker*	2QWE3 - - -	200



*Contact VBH for profile related parts specification

Security Window Espagnolettes

iQ for Flush Windows

Special variant for flush windows

Tested to PAS24:2016

Q-secure PREMIUM product

Industry standard 20 and 22mm backsets with 7.7 and 9mm mushroom cams

240 hours salt spray test results

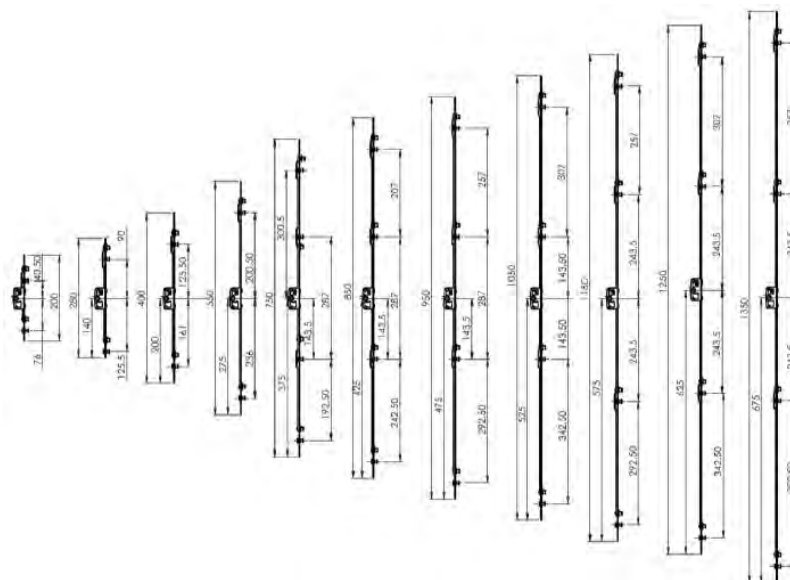
Quick to fit

10 year greenteQ performance guarantee

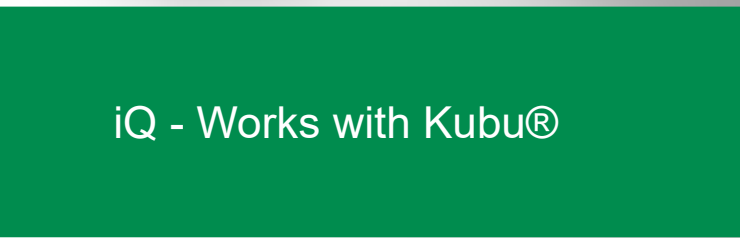
Description	20BS/7.7MB	20BS/9MB	22BS/7.7MB	22BS/9MB	Striker Qty	Box Qty
280mm Left	2QWE3901	2QWE3921	2QWE3941	2QWE3961	2	16
280mm Right	2QWE3902	2QWE3922	2QWE3942	2QWE3962	2	16
400mm Left	2QWE3903	2QWE3923	2QWE3943	2QWE3963	2	16
400mm Right	2QWE3904	2QWE3924	2QWE3944	2QWE3964	2	16
550mm Left	2QWE3905	2QWE3925	2QWE3945	2QWE3965	2	16
550mm Right	2QWE3906	2QWE3926	2QWE3946	2QWE3966	2	16
750mm Left	2QWE3907	2QWE3927	2QWE3947	2QWE3967	4	16
750mm Right	2QWE3908	2QWE3928	2QWE3948	2QWE3968	4	16
850mm Left	2QWE3909	2QWE3929	2QWE3949	2QWE3969	4	16
850mm Right	2QWE3910	2QWE3930	2QWE3950	2QWE3970	4	16
950mm Left	2QWE3911	2QWE3931	2QWE3951	2QWE3971	4	16
950mm Right	2QWE3912	2QWE3932	2QWE3952	2QWE3972	4	16
1050mm Left	2QWE3913	2QWE3933	2QWE3953	2QWE3973	4	16
1050mm Right	2QWE3914	2QWE3934	2QWE3954	2QWE3974	4	16
1150mm Left	2QWE3915	2QWE3935	2QWE3955	2QWE3975	4	16
1150mm Right	2QWE3916	2QWE3936	2QWE3956	2QWE3976	4	16
1250mm Left	2QWE3917	2QWE3937	2QWE3957	2QWE3977	4	16
1250mm Right	2QWE3918	2QWE3938	2QWE3958	2QWE3978	4	16
1350mm Left	2QWE3919	2QWE3939	2QWE3959	2QWE3979	4	16
1350mm Right	2QWE3920	2QWE3940	2QWE3960	2QWE3980	4	16



Description	VBH Code	Box Qty
Mushroom Night Vent Striker*	2QWE3 - - -	200



*Contact VBH for profile related parts specification



iQ - Works with Kubu®

Information about the Kubu Hub

Windows and doors fitted with iQ locks can be linked to a Kubu® Home Hub, but they do not have to be. It is entirely the choice of the homeowner. They can decide at any time to link, and setting up Kubu® monitoring is easy. All they need to do is buy a Kubu® hub and sensors from www.kubu-home.com, download the app, and then connect.

When the lock is linked to the hub, the user can quickly check on the locked status of their windows via an easy to use app. The app will tell the user at a glance if the cams are in the Secure, Partially Secure, Night Vent, or Open position. The user can set reminders to open or close windows, and get alerts whenever a window is operated. They can also check on the open/close history of a window. Kubu® also works with products such as Amazon Alexa or Google Assistant to link to other items in a home network, including lighting or cameras.

iQ window locks are fitted with a magnet in the gearbox. When linked to Kubu®, this works with a sensor on the outer frame that monitors the position of the locking points within the striker plate. A fixed guide pin next to the gearbox ensures that the lock and striker plate are perfectly aligned, to ensure accurate readings.

Benefits of Kubu® connection at a glance:

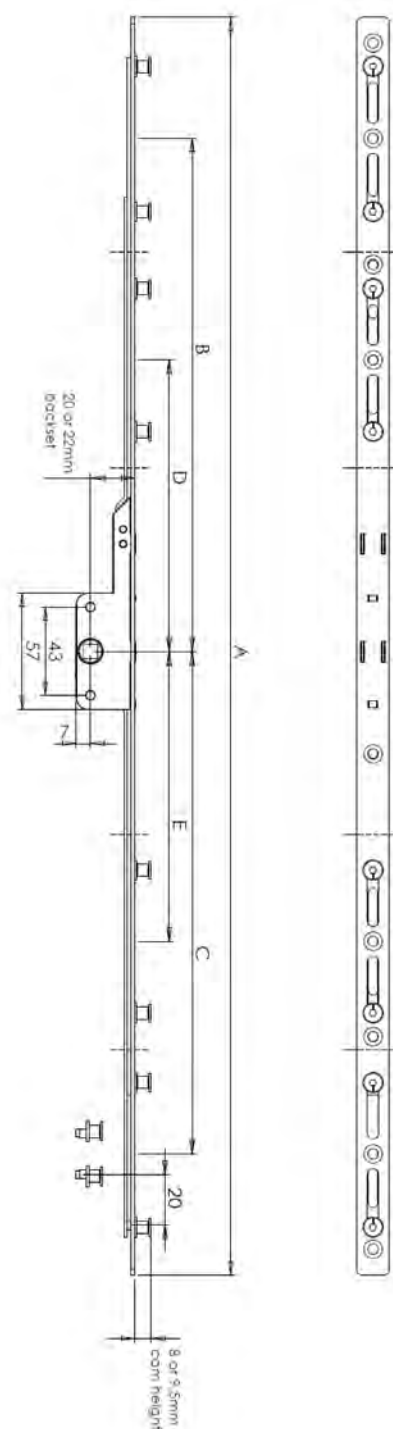
- Kubu® links windows (and doors) to a smart home network, allowing the user to check on the security status of the home via a phone app. It can also be linked to other connected devices around the home via Alexa, Google Assistant etc.
- As well as Kubu® enabled security window espganolettes, the greenteQ iQ range also includes multipoint door locks.
- The Kubu® Hub will allow the user to connect up to 20 casement sashes and 10 doors, offering peace of mind across the home.
- The Hub's range is around 25m, so it should be more than adequate for most homes. If necessary, a second Hub could be purchased.
- All Kubu® sensors are powered by standard cell batteries which will typically give a life of around 18months. They will alert via the app when they need to be replaced.
- Kubu® Hubs and accessories should be purchased direct from Kubu® via www.kubu-home.com.

Securitas

Tested to PAS24 on a number of profile systems
 Suits standard and French casement windows
 Surface finish meets EN1670 Grade 4
 Covers sash rebate sizes from 320 - 1500mm
 Clearly branded as a quality greenteQ product
 10 year performance guarantee
 Approved Q-secure PREMIUM product

Size (mm)	20BS/ 7.7MB	20BS/ 9MB	22BS/ 7.7MB	22BS/ 9MB	Strikers Req	Box Qty
300	2QWE2501	2QWE2511	2QWE2521	2QWE2531	2	20
400	2QWE2502	2QWE2512	2QWE2522	2QWE2532	2	20
600	2QWE2503	2QWE2513	2QWE2523	2QWE2533	2	20
800	2QWE2504	2QWE2514	2QWE2524	2QWE2534	4	20
900	2QWE2505	2QWE2515	2QWE2525	2QWE2535	4	20
1000	2QWE2506	2QWE2516	2QWE2526	2QWE2536	4	20
1100	2QWE2507	2QWE2517	2QWE2527	2QWE2537	4	20
1200	2QWE2508	2QWE2518	2QWE2528	2QWE2538	4	20

Length	A (mm)	B (mm)	C (mm)	D (mm)	E (mm)
300	320	119	119	N/A	N/A
400	420	169	169	N/A	N/A
600	620	249	249	N/A	N/A
800	820	349	349	169	169
900	920	399	399	169	169
1000	1020	449	449	169	169
1100	1120	499	499	169	169
1200	1220	549	549	169	169

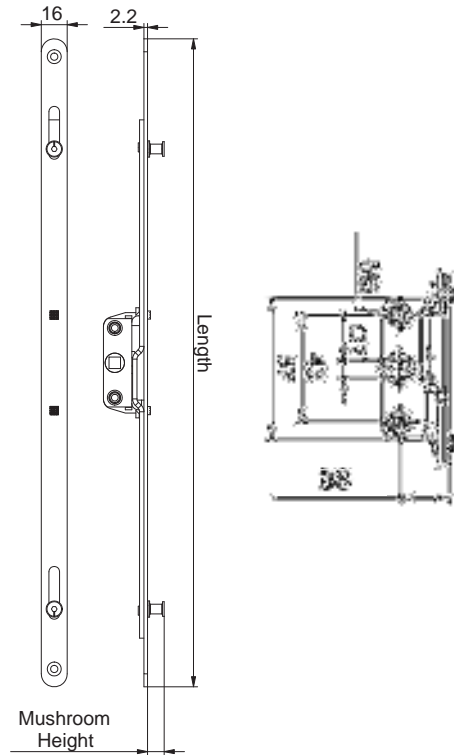


Striker Plates*

Description	VBH Code	Box Qty
Mushroom Striker	2QWE- - - -	200

*Contact VBH for profile related parts specification

Window Espagnolette



Inline gearbox

Flat 16mm faceplate for Eurogroove fit

Length	No of MB	20BS 7.7MB	22BS 7.7MB	22BS 9MB	Box Qty
250mm	2	2QWE1198	2QWE1174	2QWE1204	10
400mm	2	2QWE1199	2QWE1175	2QWE1205	10
600mm	2	2QWE1200	2QWE1176	2QWE1206	10
800mm	2	2QWE1201	2QWE1177	2QWE1207	10
1000mm	3	2QWE1202	2QWE1178	2QWE1208	10
1200mm	3	2QWE1203	2QWE1179	2QWE1209	10

Striker Plates*

Description	VBH Code	Box Qty
Mushroom N/V Striker	2QWE - - - -	200

*Contact VBH for profile related parts specification
Issue 03/2023 greenteQ
E & OE ©VBH

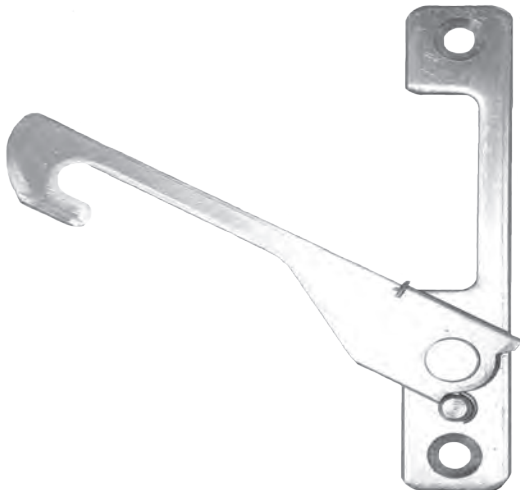
Delta Hinge Protector Friction Stay Security Device



Sold singularly

Size	VBH Code	Box Qty
13mm Stack	2QFH0061	400
17mm Stack	2QFH0062	400

Auto-Latch Casement Restrictor



Stainless steel
Concealed casement restrictor

Description	VBH Code	Box Qty
LH	2QMA0231	50
RH	2QMA0232	50

Restrictor shown is LH

Safeguard Restrictors



'Key to Release' and 'Tamper Resistant' versions
Supplied with self drilling screws for aluminium, PVCu and steel windows
160mm cable

Description	VBH Code	Box Qty
White 'Key to Release' Restrictor	2QMA0131	50
Black 'Key to Release' Restrictor	2QMA0132	50
White Tamper Resistant Restrictor	2QMA0135	50
Black Tamper Resistant Restrictor	2QMA0136	50

Striker Posts



Stainless steel

Description	VBH Code	Box Qty
9.5mm	2QMA0202	50
11.5mm	2QMA0203	50
14.5mm	2QMA0204	50

Notes



AGB Artech Tilt & Turn System

Artech Tilt & Turn in Association with greenteQ

Artech is supplied in 'Activeage' active hi-protection surface finish. This is a 3 stage finish incorporating layers of zinc, chromic passivation with silica Nano particles, and finally an organic mineral active hermetic protection coating. Activeage provides outstanding levels of corrosion resistance, withstanding 2000 hours neutral salt spray testing to EN ISO 9227. This makes the Artech system ideally suited to installations in coastal or concentrated heavy industry regions, or in areas with other aggressive atmospheres, such as those with high airborne ammonia levels.

Artech is covered by the Q-secure hardware guarantee.

Benefits at a glance:

- Surface fit, rebated jigless and Plana concealed hinge options
- Up to 130KG sash weight as standard
- Anti-Burglar mushroom cams provide two levels of security
- Meets the requirements of PAS24
- 1-piece cam construction provides greater strength
- Cams are adjustable for both compression and height

- Cam supporting plate means even security windows operate very smoothly
- Choice of centre locks for optimum weather and security performance
- 'Crop & Punch' and 'Crop & Cover' connection options
- Linear gearbox design for better aesthetics
- Extended gearbox sides contribute to smooth action and longer life
- Anti-mishandling device doubles as sash guide to ensure smooth closing
- Two tilt positions
- Standard Activeage 3-stage surface protection tested to 2000 hours NSS
- Covered by Q-secure hardware security guarantee

Artech tilt & turn hardware can be ordered in bulk or 'per set', using the VBH Product Configurator.

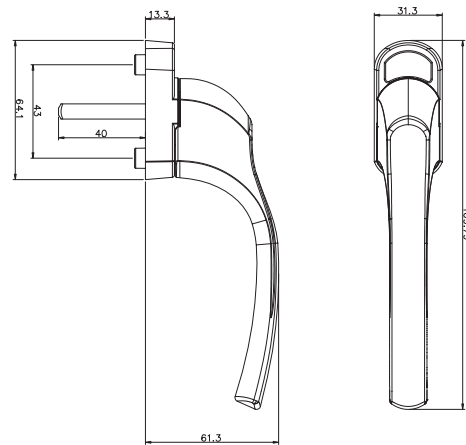
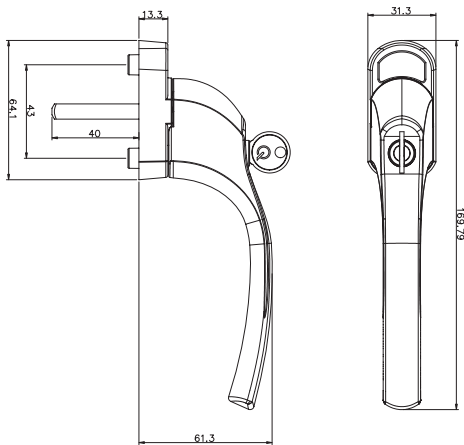
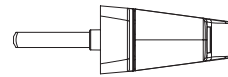
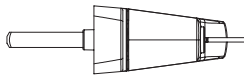
Please send us details of your windows using the form opposite.

Attn VBH: Please supply/quote for *AGB hardware to suit the below specification *Delete as appropriate <div style="text-align: center;">Tilt & Turn Hardware Set</div> <div style="text-align: right;"></div>					
Hardware Manufacturer	AGB	✓			
Hardware System					
Hinge Type	Face Fix		Jigless		Concealed
Security Level Required	Standard		Security		
Your Profile System <small>(Include profile numbers if known)</small>	Name		Sash No.		Frame No.
Handing <small>(viewed from inside)*</small>	Left		Right		
Cover Cap Colour* <small>(If applicable)</small>	White		Brown		
Drive Gear Backset Options	Slim 7.5mm		Standard 15mm		
Cropping Method	Straight Crop/Cut		Joggled Crop With Punched Hole		
Sash Rebate Width*					
Sash Rebate Height*					
Do You Require a Handle?					
Yes (insert Item Code)**			No		
*If you are ordering more than one set please indicate any additional window specifications in the box below (including sizes, handing, colour & handle option): <div style="border: 1px solid black; height: 200px; width: 100%;"></div>					
**If you require a handle please select from the options in our catalogue and indicate relevant item code in box					

Company Name		Acc Number	
Contact Name		Order No	
Email Address			
Sign		Date:	

Alpha TBT - Locking

Alpha TBT - Non-Locking



40mm spindle length
 Part of the greenteQ suite
 TBT function for child safety
 Locates in 4 positions at 90° intervals
 Supplied with cover caps, fixings and key

40mm spindle length
 Non-locking handle for basic tilt and turn windows
 Part of the greenteQ suite
 Locates in 4 positions at 90° intervals
 Supplied with cover caps and fixings

Finish	VBH Code	Box Qty
White	2QTT0061	10/60
Black	2QTT0066	10/60
PVD Gold	2QTT0062	10/60
Polished Chrome	2QTT0063	10/60
Satin Chrome	2QTT0065	10/60
Anthracite Grey	2QTT0067	10/60
Smokey Chrome	2QTT0068	10/60
Enduro Steel	2QTT0069	10/60

Finish	VBH Code	Box Qty
White	2QTT0261	10/60
PVD Gold	2QTT0262	10/60
Polished Chrome	2QTT0263	10/60

Accessories

Description	White	Black	Box Qty
Cover Cap	2QTT0101	2QTT0102	1000

Description	VBH Code	Box Qty
Spare Key	2QTT0106	1000

Adhesives

1 Component Adhesive	100
2 Component Adhesive	100

Lubricant

Silicone Spray	100
----------------	-----

Cleaner

Aluminium Cleaner	100
-------------------	-----

2C-alu 2 Part Aluminium Adhesive



Ideal for bonding the corners of anodised and powder coated aluminium windows, doors and facades
 Products bonded with 2C-alu adhesive can be powder coated
 Also suitable for bonding GFR sandwich elements, HPL or other aluminium products
 Dual cartridge and static mixing tube makes it easy to apply with the applicator gun
 Solvent-free, thixotropic, does not drip and weather resistant
 Available in 550g or 900g twin cartridge units

Description	VBH Code	Box Qty
2C Twin Cartridge 550g Beige	2QTC0032	10
2C Twin Cartridge 900g White	2QTC0033	10
2C Twin Cartridge 900g Beige	2QTC0034	10
2C Twin Cartridge 900g Anthracite Grey	2QTC0038	10
Static Mixing Tube	2QTC0037	75
Manual Applicator Gun	3COS0074	1

Silicone Spray



Provides grease-free stainless lubrication via a neat non-resinous film
 Protective, anti-seize, mould release and preservative agent for plastics, metals, wood and rubber
 Huge application range
 Protects against oxidation and corrosion thanks to its water repellent and anti-static properties
 High temperature resistance
 Good electrical resistance
 Frees up seized and squeaky parts
 Protects against embrittlement

Description	VBH Code	Box Qty
Silicone Spray 400ml Aerosol Can	2QTC0045	12

1C- 1 Part Aluminium Adhesive 819



This solvent and odour-free 1 part adhesive is ideal for bonding corner angles in many materials
 Very fast bonding time when over-sprayed with water
 Ensure you read the safety Data Sheet prior to purchasing

Description	VBH Code	Box Qty
1C Adhesive White 310ml	2QTC0173	20

Alu-cleaner Aluminium Cleaner



Fast drying special cleaner for anodised and powder coated aluminium profiles
 Removes dust, protective film residue, wax pencil, rubber residue, fixing foam, fresh sealant residue and tar/bitumen splash residue
 Ideal for the cleaning of surfaces prior to bonding with adhesives such as greenteQ 2C-alu adhesive
 Recommended as a cleaning agent and for diluting various adhesive systems
 For industrial/workshop use only (not for domestic use)

Description	VBH Code	Box Qty
Alu-cleaner 1L Can	2QTC0043	10

This is a snapshot of the greenteQ construction chemical range. Visit www.greenteQ.info to view the full selection.

What is the Q-secure guarantee?

We are so confident in the strength and performance of our greenteQ and associated hardware that we will pay your customers if they are broken into via your windows, doors or patios if the intrusion is caused by the failure of a product covered by the guarantee.

What does Q-secure give your customers?

In the event of a break-in where access has been gained due to a hardware failure VBH will:

- Pay up to £1750 towards the cost of employing an emergency locksmith, glazier or boarding up company in the immediate aftermath of a break-in.*
- Pay up to £3000 towards the cost of repairing or replacing the door or window*
- Pay up to £2000 towards the customer's insurance excess payment*
- We will make a goodwill payment of up to £1250 to the customer to alleviate their distress*

Which products are covered by Q-secure?

Look for the Q-secure logo on each page to see which greenteQ products are covered.

As well as the respected greenteQ range we also supply many other top quality brands and we have pulled together the best under Q-secure to provide a selection of hardware that has all been successfully tested to the relevant British Standards PAS24 security test.

Q-secure covers the following products:

Outward Opening Windows -

Locking systems
Handles
Friction stays
Friction stay security devices

Tilt & Turn Windows -

Perimeter locking hardware
Handles

Residential Doors -

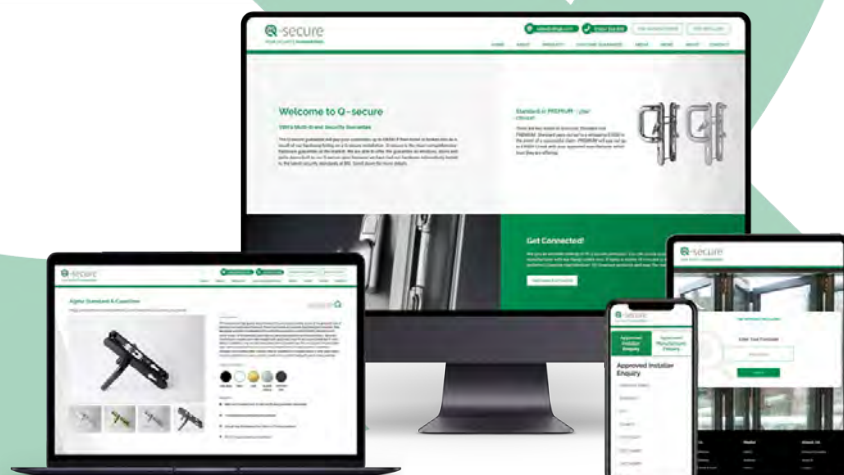
Multi-point locks
Profile cylinders
Hinges
Handles
Letterboxes
Knockers

Patios -

Clearspan bi-folding door gear
ClearLIFT/Slide Door Gear
Clearslide Inline Sliding Door Gear

Please contact us or visit www.qsecure.co.uk for further details

*Terms and conditions apply



VBH (GB) Ltd 10 Year Guarantee



greenteQ 10-year Guarantee: Our Promise

VBH has every confidence that the greenteQ product range will delight our customers in terms of appearance and performance.

greenteQ products are designed for the UK and European window and door markets to conform to a multitude of standards including BS and EN where applicable. Quality checks are built into the manufacturing processes and supply chain so that reliability leads industry standards.

The 10 year guarantee for performance and reliability is provided subject to the product being fitted and maintained in accordance with VBH guidelines and shall not be subject to stresses and operating forces beyond normal levels.

In the unlikely event of a product failing within the 10 year guarantee period as a result of defective manufacture or design, VBH (GB) Ltd will replace it free of charge or credit its original purchase value. The component must be returned to us or inspected by VBH on site to agree the cause of failure. The credit shall not exceed the original value of the part.

This guarantee does not apply to any mechanical or surface finish fault if it is caused by wilful or neglectful damage or inappropriate chemical contact. It also does not apply to surface finishes if the product is installed in an area of particularly aggressive atmospheric conditions, such as coastal or heavy industrial/polluted environments.

This guarantee does not affect your statutory rights.



VBH (GB) Ltd 25 Year Guarantee



greenteQ 25-year Guarantee: Our Promise

VBH has every confidence that the greenteQ Coastline Stainless Steel product range will delight our customers in terms of appearance and performance.

greenteQ Coastline products are designed for the UK and European window and door markets to conform to a multitude of standards including BS and EN where applicable. Quality checks are built into the manufacturing processes and supply chain so that reliability leads industry standards.

The 25 year guarantee for performance and reliability is provided subject to the product being fitted and maintained in accordance with VBH guidelines and shall not be subject to stresses and operating forces beyond normal levels.

In the unlikely event of a greenteQ Coastline product failing within the 25 year guarantee period as a result of defective manufacture or design, VBH (GB) Ltd will replace it free of charge or credit its original purchase value. The component must be returned to us or inspected by VBH on site to agree the cause of failure. The credit shall not exceed the original value of the part.

This guarantee does not apply to any mechanical or surface finish fault if it is caused by wilful or neglectful damage or inappropriate chemical contact.

This guarantee does not affect your statutory rights.



For guaranteed performance and long term reliability all products must be installed and maintained* in accordance with the following recommended guidelines.

Window & Door Handles and Furniture

- Handle screws must not be over tightened as this may impair the operation of the hardware.
- All turning points on handles must be lightly lubricated twice per year.
- Surfaces must be regularly cleaned with a soft damp cloth to remove any dust or grime, taking care not to scratch the surface.

Window and Door Hinges

- Ensure that the correct size and type of hinge detailed in the relevant brochure is fitted according to window/door type, size and weight.
- Fixings must be into reinforcement using corrosion resistant screws taking care not to over tighten them.
- All pivot points must be lightly lubricated, fixings checked and the friction stay sliding channel wiped with a clean cloth, twice per year.

Window and Door Locking Mechanisms

- Profile to be routed for gearbox in accordance with hardware manufacturer's guidelines, copies of which are available upon request.
- Excess swarf must be removed.
- Final adjustments should be made after installation to ensure positive engagement of all locking points and smooth closing operation.
- Any build up of dirt on all moving parts must be removed regularly. These points must be lubricated at the same time.

*Simple maintenance kits are available from VBH. Please ask.

Useful Contact Information



The following information may be useful to you when seeking to contact the correct person within VBH to deal with your query.

External Team

Sales Managers

		Tel:	Email:
Tyler Shutts	Regional Manager North England	07740 401347	tyler.shutts@vbhgb.com
Earl Tate	Regional Manager South East	07740 401348	earl.tate@vbhgb.com
Nick Taylor	Regional Manager Midlands	07435 925591	nick.taylor@vbhgb.com
Colin Thomas	Regional Manager Wales	07702 831656	colin.thomas@vbhgb.com
Steve Thomas	Area Sales Manager South West England	07917 999447	stephen.thomas@vbhgb.com

Management Team

Dan Powell	Head of Sales - England & Wales	07740 401349	dan.powell@vbhgb.com
Adrian Gale	National Sales Manager - England & Wales	07740 401342	adrian.gale@vbhgb.com
Allan Price	General Manager - Scotland & Northern Ireland	07740 401345	allan.price@vbhgb.com
Jan Holland	National Key Account Manager	07740 401350	jan.holland@vbhgb.com
Simon Eshelby	Distribution and Systems House Manager	07917 999496	simon.eshelby@vbhgb.com

Internal Team

Customer Service and Internal Sales

		Tel:	Email:
Sarah Talbot	Internal Sales Manager	01634 263300	sales@vbhgb.com
Karen Campbell	Internal Sales Coordinator - Gillingham	01634 263300	sales@vbhgb.com
Gareth Dix	Internal Sales Coordinator - Gillingham	07384 833381	sales@vbhgb.com
Louise Eagle	Customer Service Manager - Gillingham	01634 263300	sales@vbhgb.com
Tamara Bridgland	Customer Service Coordinator - Gillingham	01634 263300	sales@vbhgb.com
Lesley Mills	Customer Service Coordinator - Gillingham	01634 263300	sales@vbhgb.com
Leah Organ	Customer Service Coordinator - Gillingham	01634 263300	sales@vbhgb.com
Georgia Rowlett	Customer Service Coordinator - Gillingham	01634 263300	sales@vbhgb.com
Pamela Paterson	Operations Manager - East Kilbride	01355 263326	sales@vbhgb.com
Dave Prout	Operations Manager - Swansea	01792 794566	sales@vbhgb.com
Phil Thomas	Internal Sales Coordinator - Swansea	01792 794566	sales@vbhgb.com
Steve Thomas	Customer Service Coordinator - Swansea	01792 794566	sales@vbhgb.com

Credit Control/Accounts Contact

Aaron Hollingsworth	Accounts Manager	01634 265378	aaron.hollingsworth@vbhgb.com
	Credit Control	01634 263263	credit@vbhgb.com

General Contact Details

VBH Gillingham General	Tel: 01634 263263	VBH Twitter	twitter.com/vbhgb
VBH Gillingham Sales	Tel: 01634 263300	greenteQ Twitter	twitter.com/VBHgreenteQ
VBH East Kilbride	Tel: 01355 263326	Facebook	VBHGBLTD
VBH Swansea	Tel: 01792 794566	Instagram	vbhgb ltd
General Email (all sites)	sales@vbhgb.com	LinkedIn	VBH (GB)

Websites

www.vbhgb.com	General Website / Downloads, News etc
www.vbhgb24.com	VBH24 Online Shop
www.qsecure.co.uk	Q-secure Consumer Security Guarantee
www.greenteQ.info	greenteQ website (Germany)
www.vbh-holding.de	VBH Holding GmbH

VBH Great Britain

Head Office

England (except SW)

VBH House
Bailey Drive
Gillingham Business Park
Gillingham
Kent
ME8 0WG

Tel: +44 (0)1634 263263 (General)
Tel: +44 (0)1634 263300 (Sales)
Email: sales@vbhgb.com

Scotland & Northern Ireland

Unit 13 Hawbank Road
College Milton
East Kilbride
Lanarkshire
G74 5EG

Tel: +44 (0)1355 263326
Email: sales@vbhgb.com

Wales & South West England

Unit K28
Ashmount Business Park
Upper Fforest Way
Swansea
SA6 8QR

Tel: +44 (0)1792 794566
Email: sales@vbhgb.com

www.vbhgb.com (main website)
www.qsecure.co.uk (Q-secure website)
www.vbhgb24.com (webshop)
twitter.com/vbhgb
[facebook@vbhgb ltd](https://facebook.com/vbhgb ltd)
[instagram/ vbhgb ltd](https://instagram.com/vbhgb ltd)



Contact us today for **Online Ordering at VBH24**. Visit www.vbhgb24.com to register

Online Orders over £100 are delivered **Free** (on standard delivery to mainland addresses)

All VBH catalogues and much more can be downloaded from www.vbhgb.com